

Assembly of SMPM Block

Required Tools and Materials

Assembly Tool (TSM P/N 520-3303-001)

Assembly Block (TSM P/N 520-3436-001)

1 Make use of assembly block.

Insert VITA block into the appropriate pocket of the assembly block. Insert the cable into the appropriate mounting position.

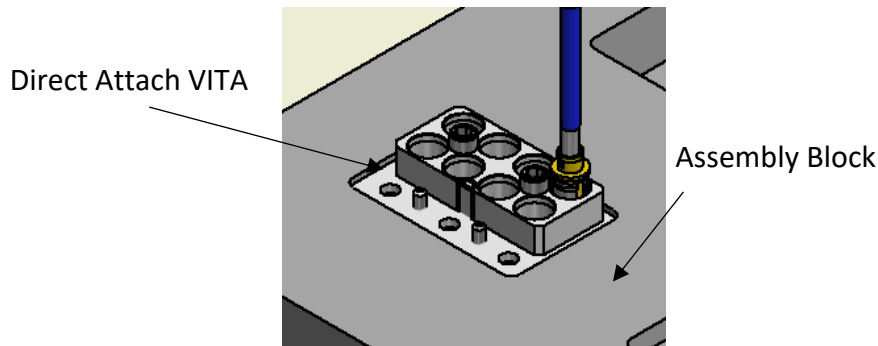


Figure 1

2 Securing the cable into the block.

Use the assembly tool to press the connector into its appropriate socket. Inspect the block to ensure proper alignment of the connectors.

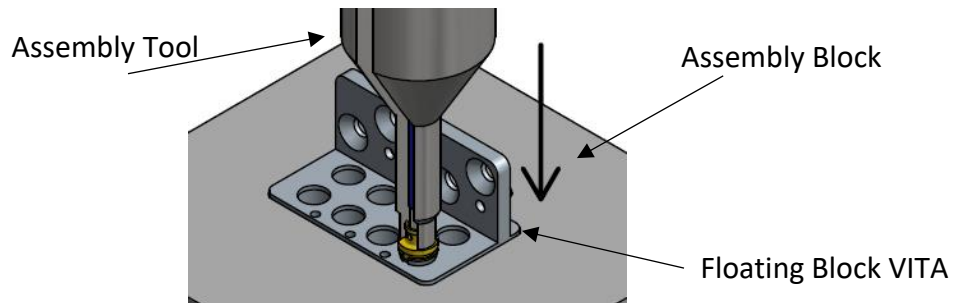


Figure 2

NOTE: DO NOT apply excessive pressure to insert the connector. The retaining rings on the SMPM connectors will be damaged if they are forced.

Disassembly of SMPM Block

Required Tools and Materials

Removal Tool (TSM P/N 520-3539-001)

Assembly Block (TSM P/N 520-3436-001)

5/64" Hex L key

C-Clamp (Customer Provided)

1 Removing direct attach block.

Remove the plate on the direct attach block by unscrewing the 2 hex bolts using a 5/64" Hex Key.

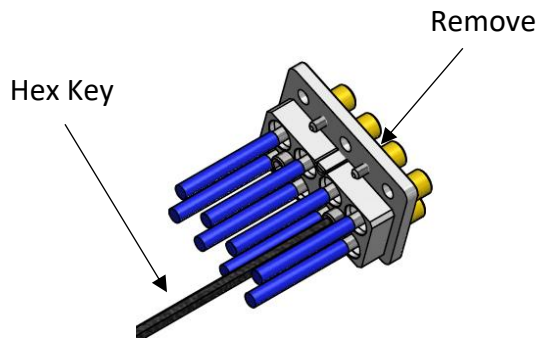


Figure 1

2 Preparation for cable removal.

Clamp down the assembly block to a bench or table for stability. Place the VITA assembly minus the plate in the appropriate slot on the edge of the assembly block, allowing the cables to hang down.

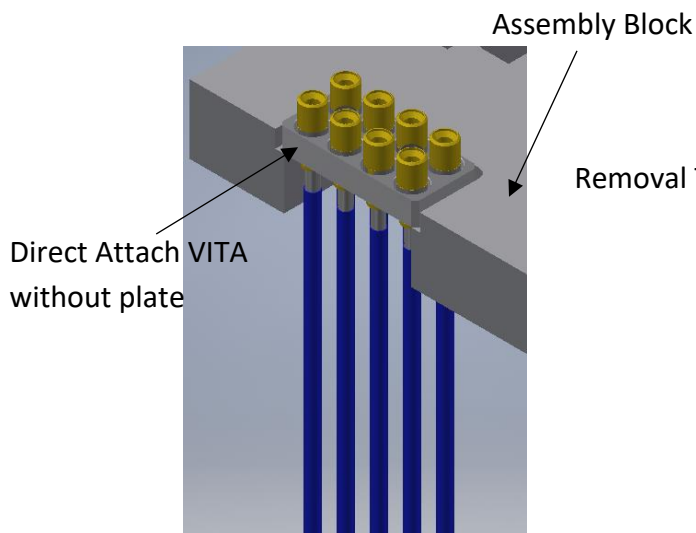


Figure 2

For Direct Attach, use 3a.
For Floating Block, use 3b.

3a Removal of cables from Direct Attach VITA assembly.

Keep the assembly in the assembly block, and using the removal tool, slide the tool over the connector. Once a click is heard, use the smaller plunger to push the cable out.

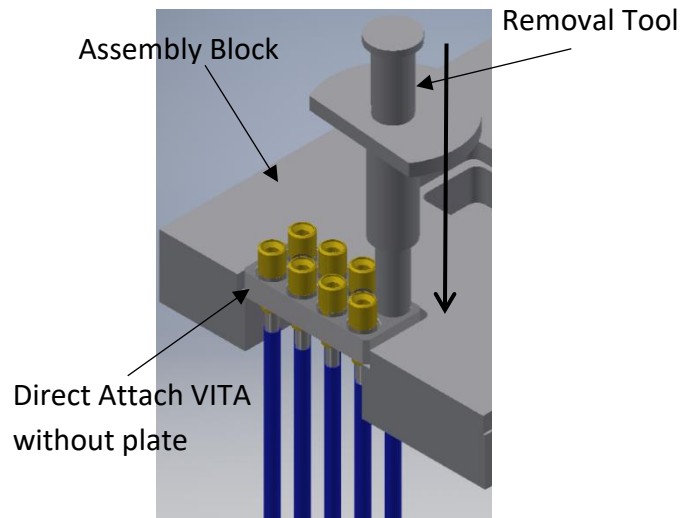


Figure 3

3b Removal of cables from Floating Block VITA assembly.

Using the removal tool, slide the tool over the connector. Once a click is heard, press in the plunger to push the cable out. The assembly block is not necessary for the removal in the float block configuration.

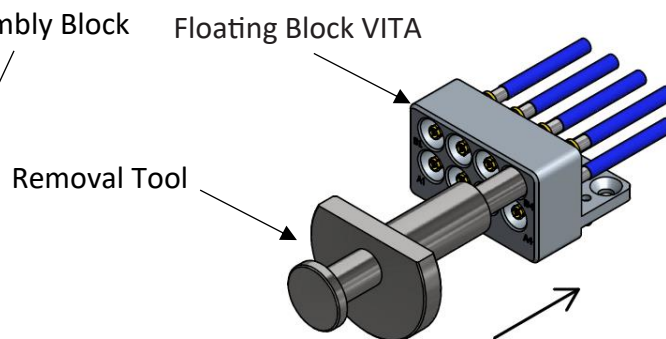


Figure 4

NOTE: There should be a click once tool has freed the retaining ring. At this point the channel should be loose and can be removed from the rear of the connector.