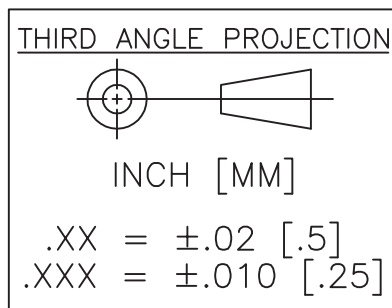
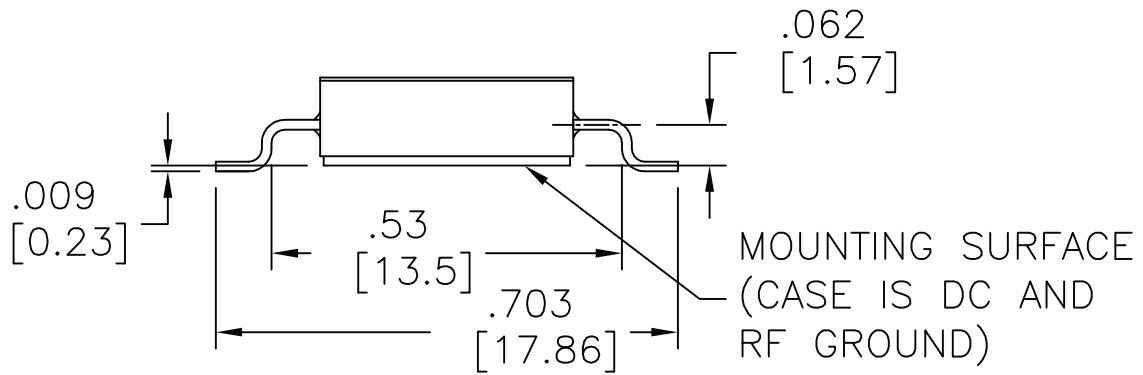
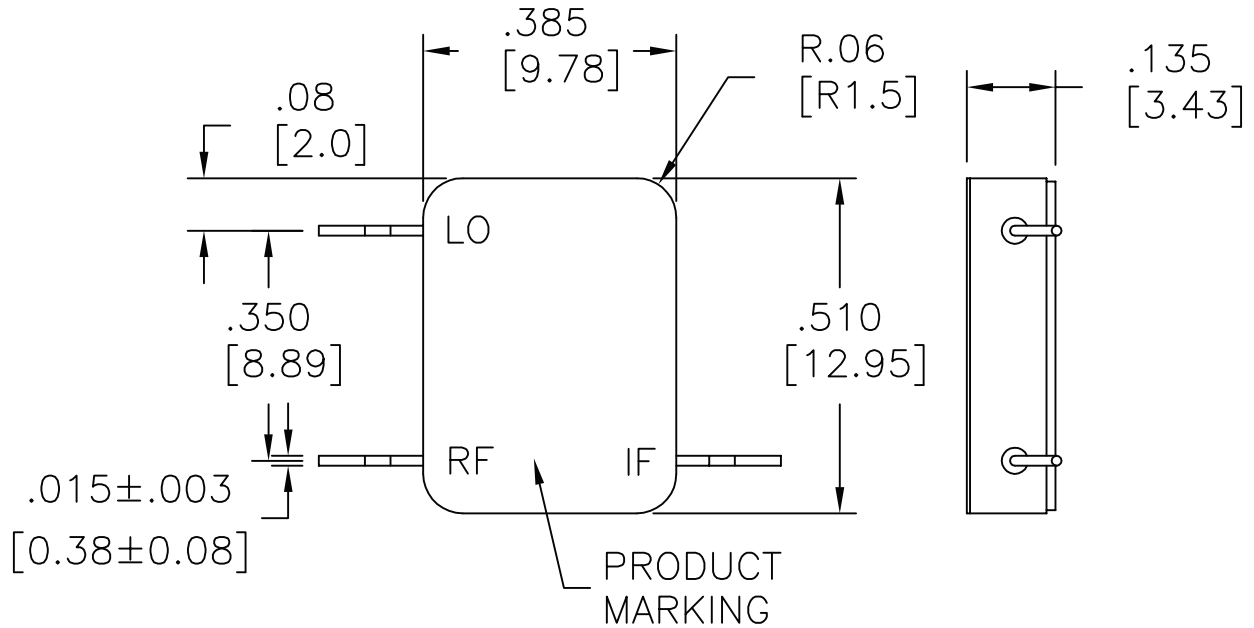
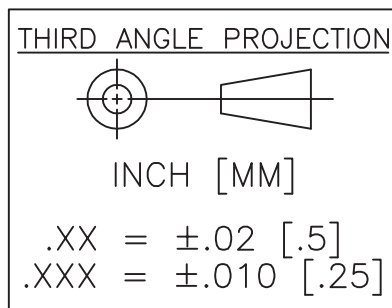
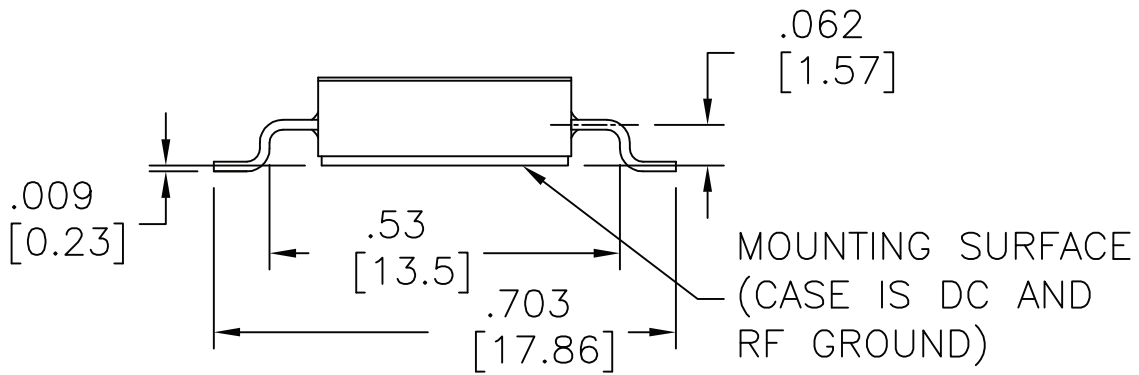
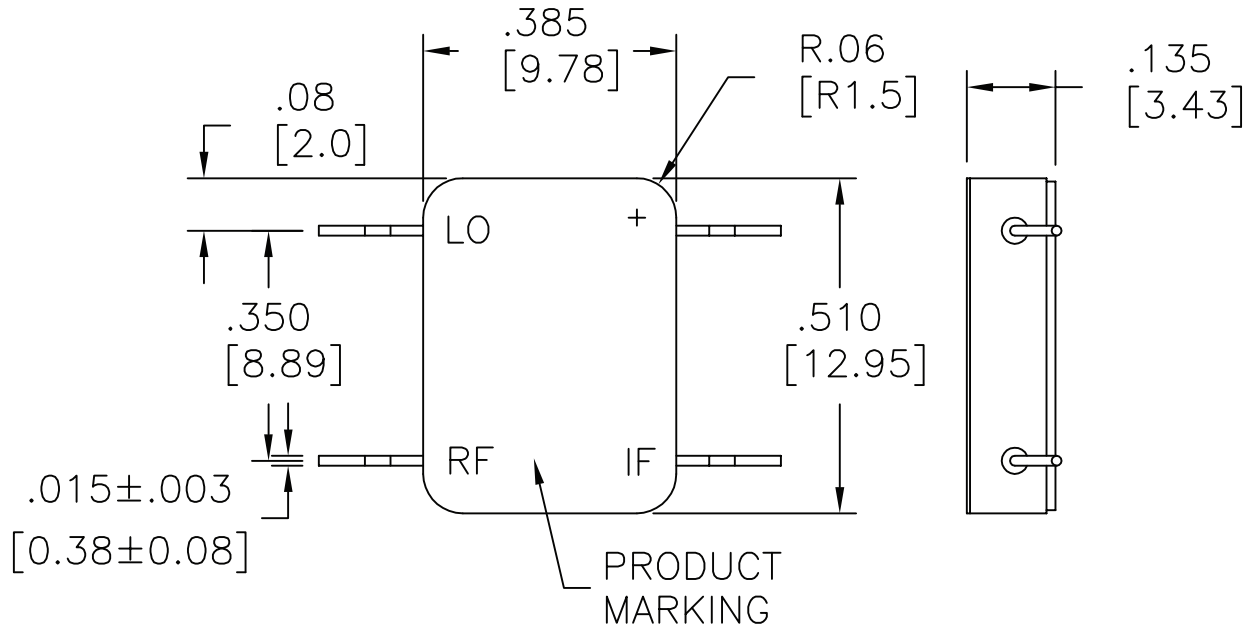


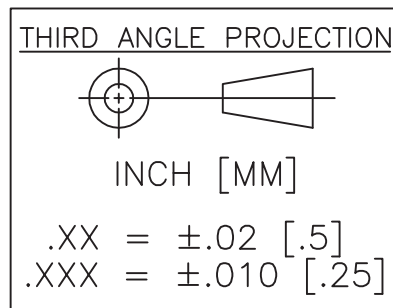
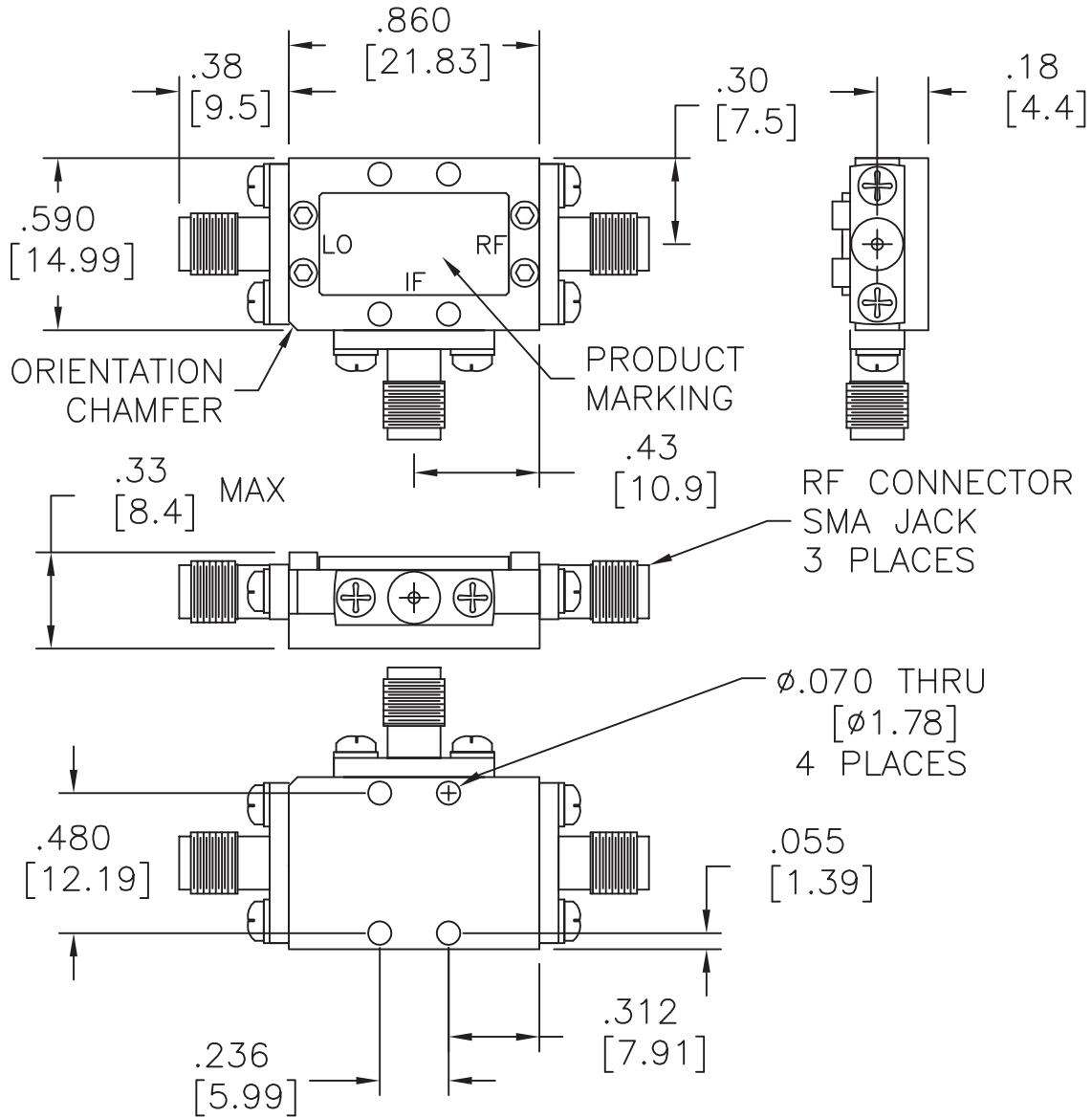
3-Pin Gullwing Package for Mixer (single-stage)



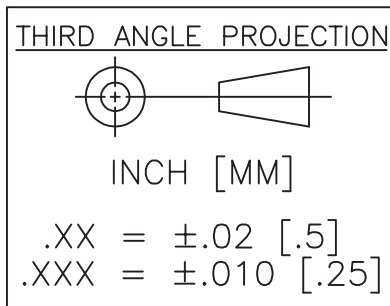
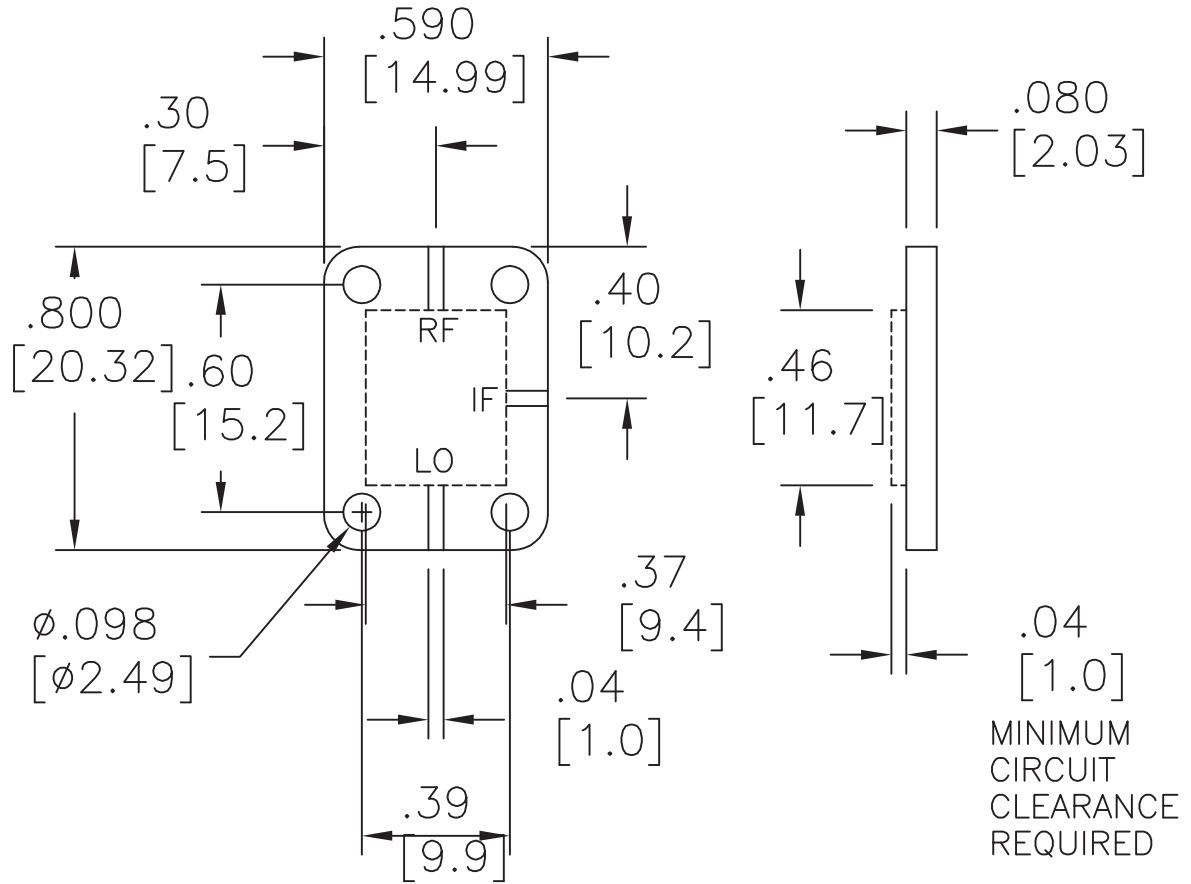
4-Pin Flatpack Gullwing Package for Mixer (single-stage)



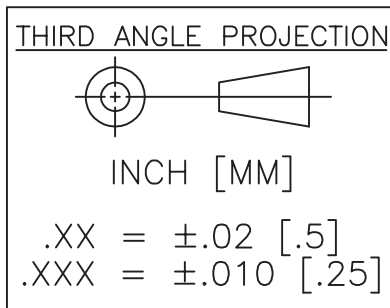
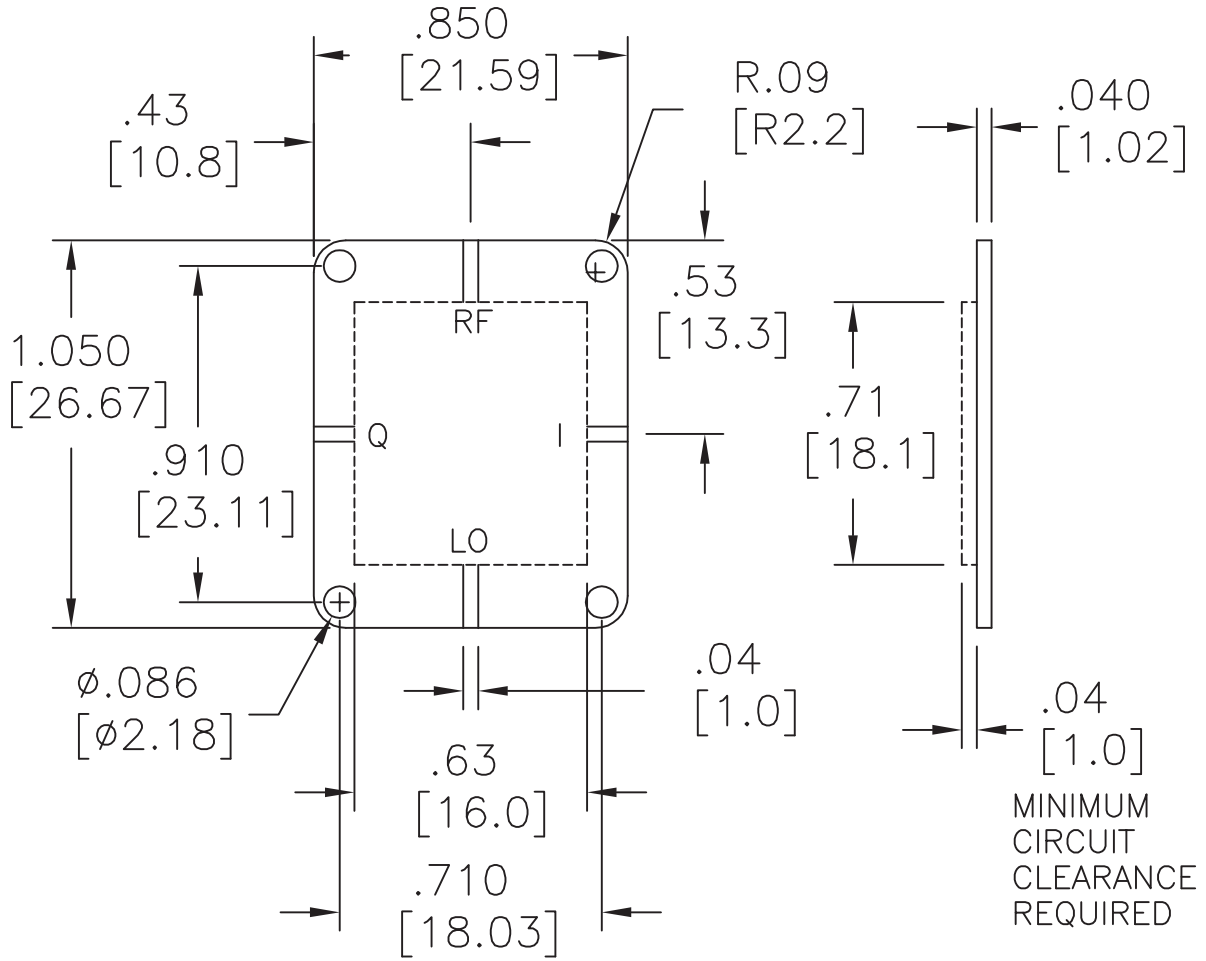
Hi-Rel MixerPak™



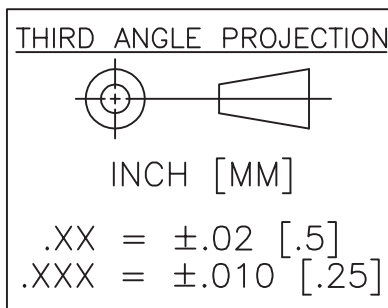
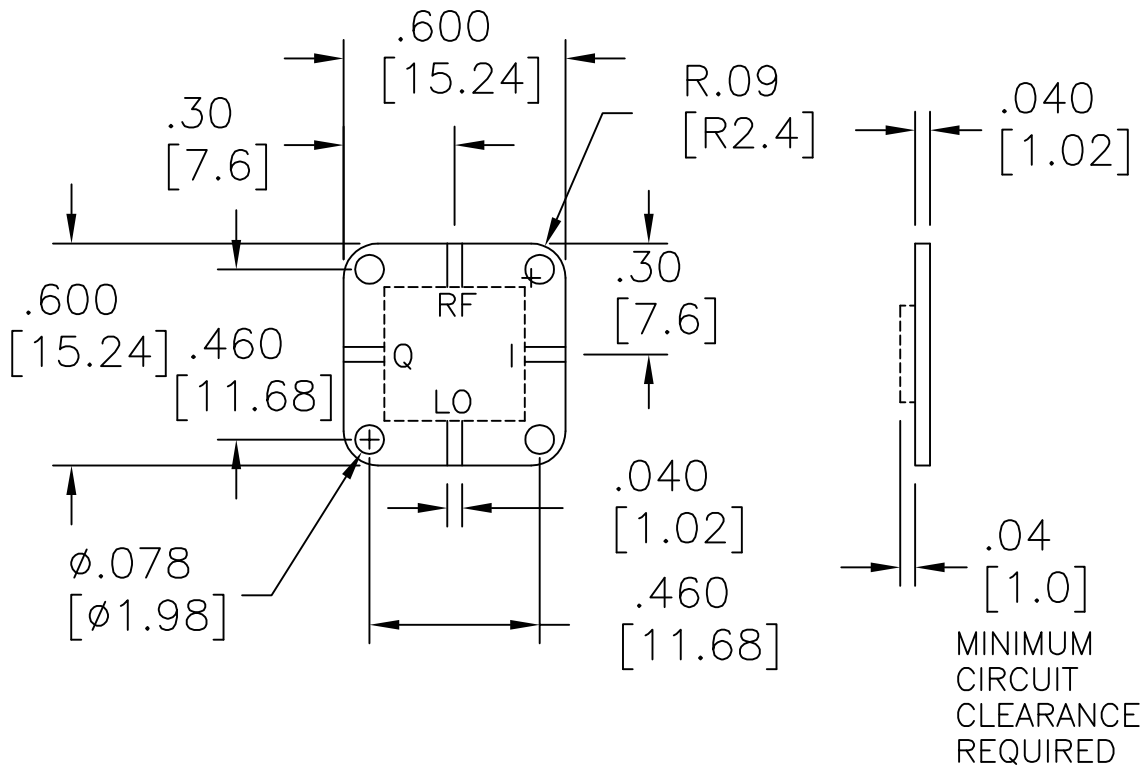
Mixer Carrier- 2



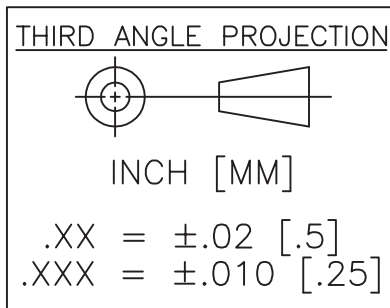
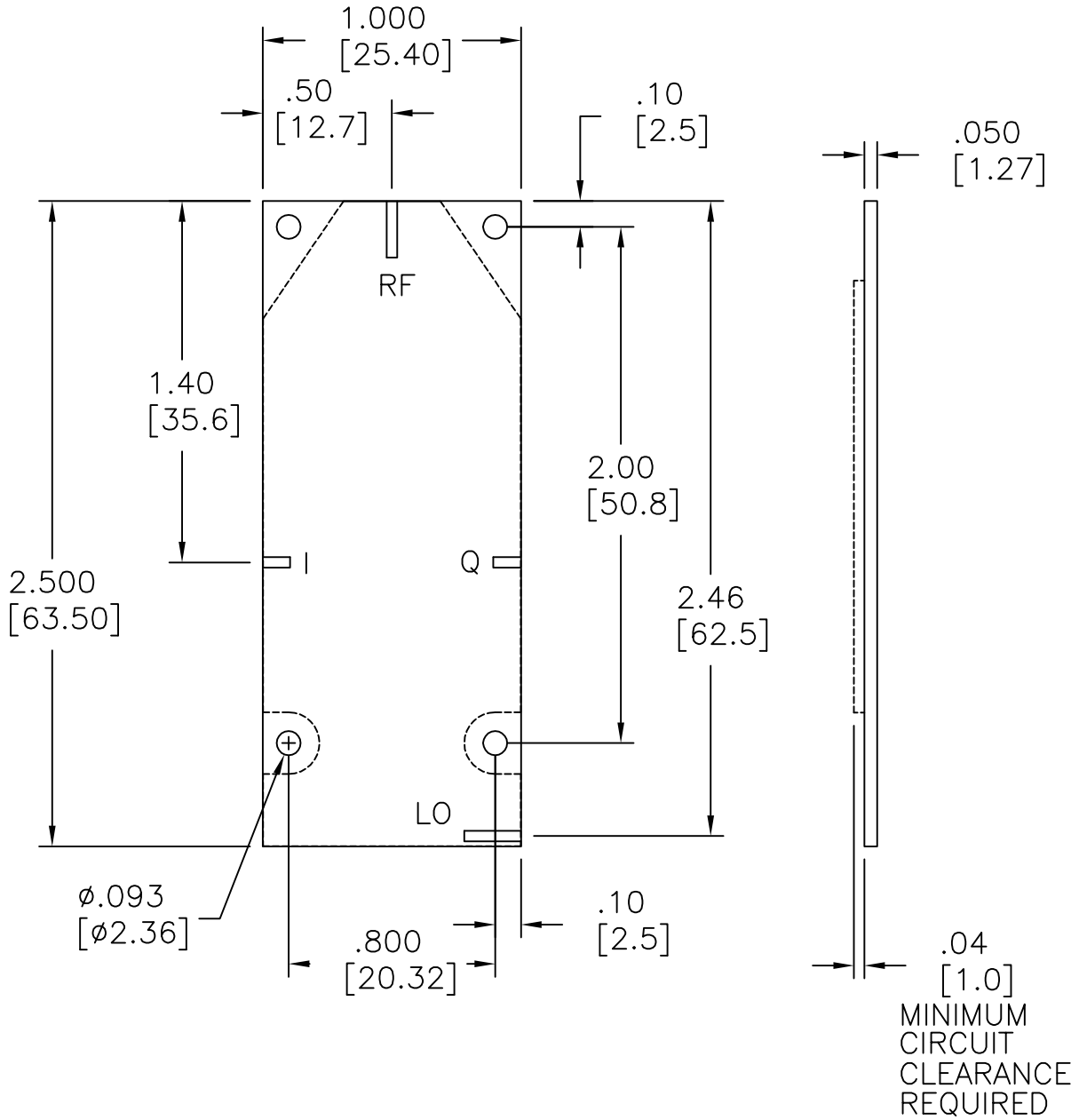
Mixer Carrier - 4



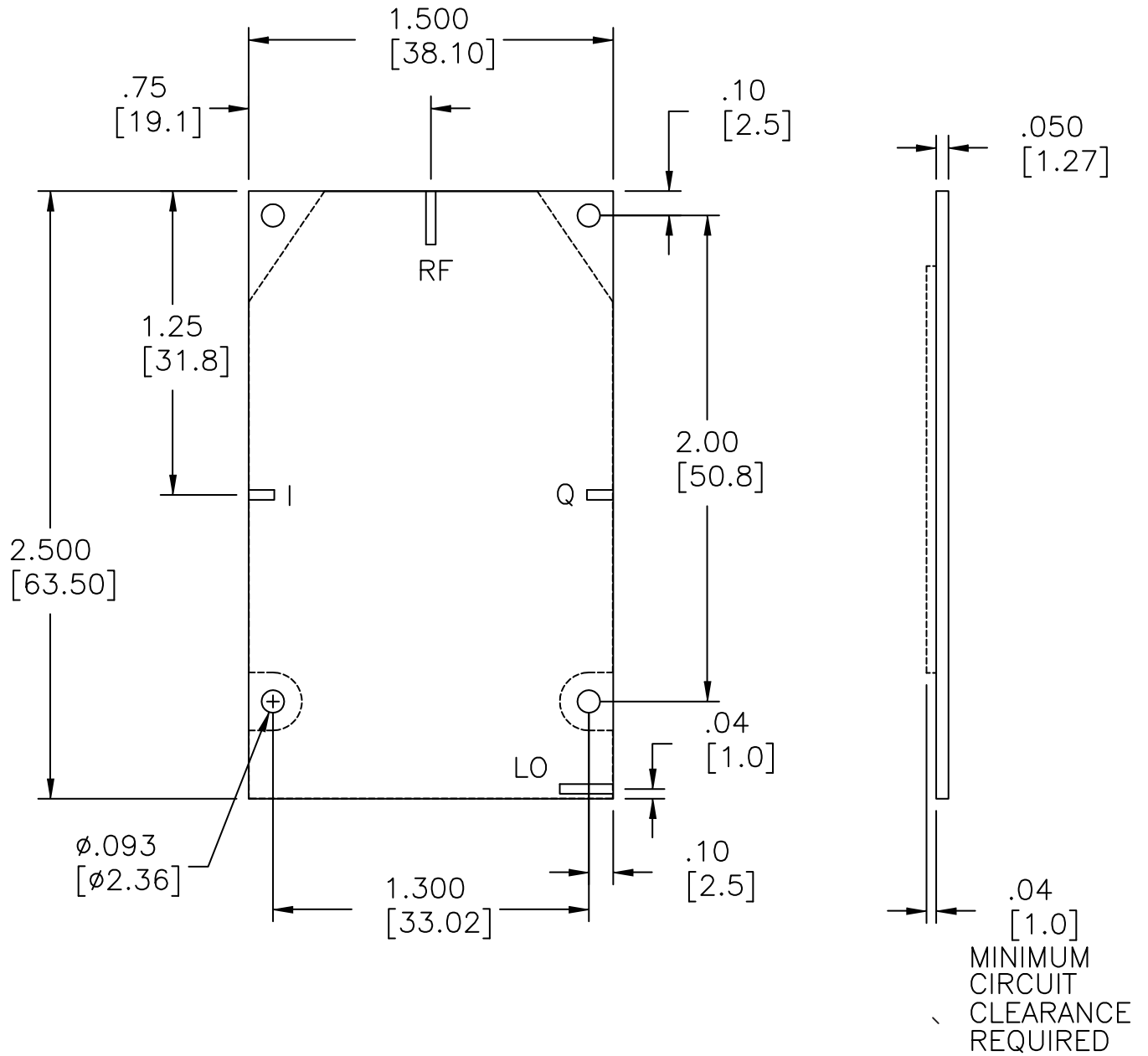
Mixer Carrier - 5



Mixer Carrier - 6



Mixer Carrier - 6W

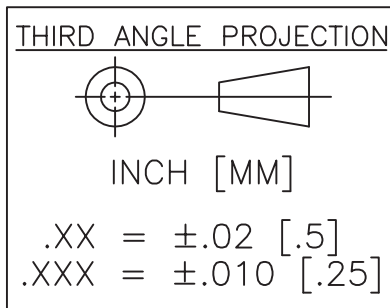
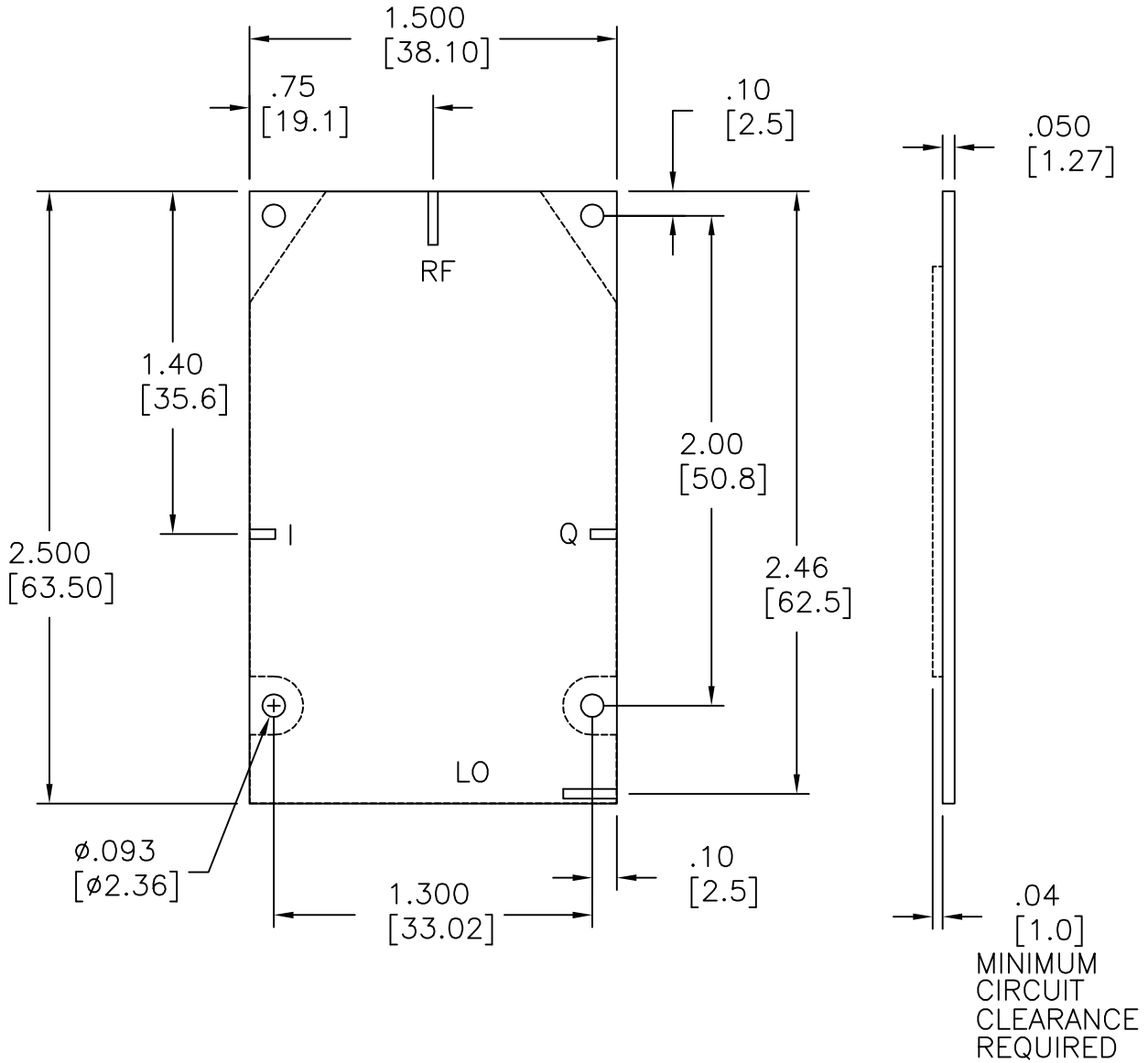


THIRD ANGLE PROJECTION

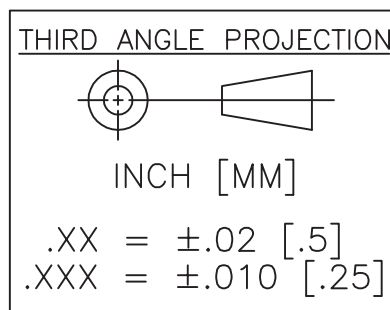
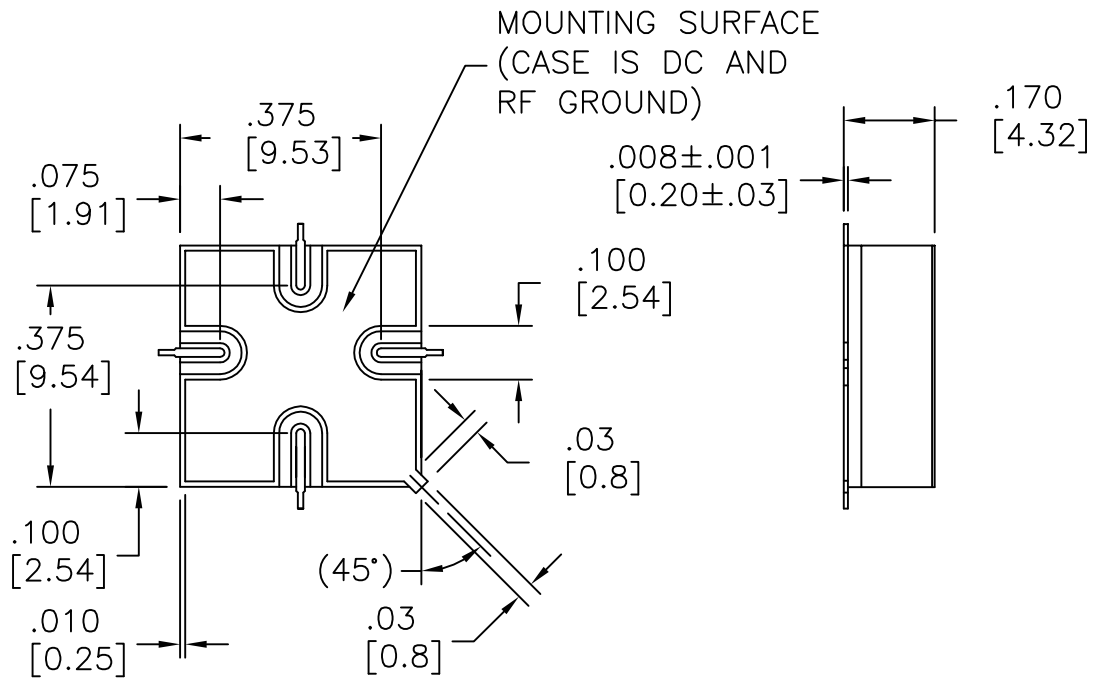
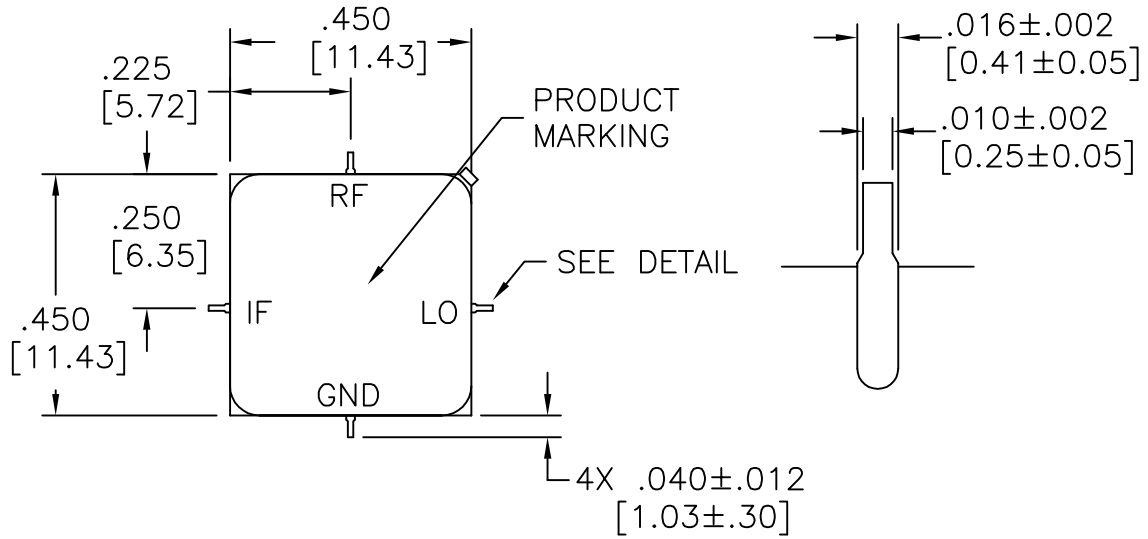
INCH [MM]

.XX = ± 0.02 [.5]
 .XXX = ± 0.010 [.25]

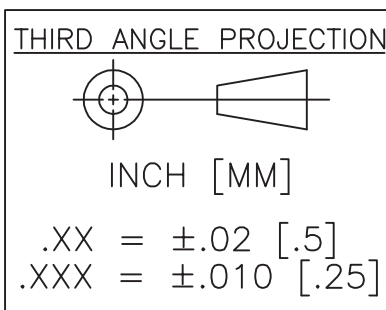
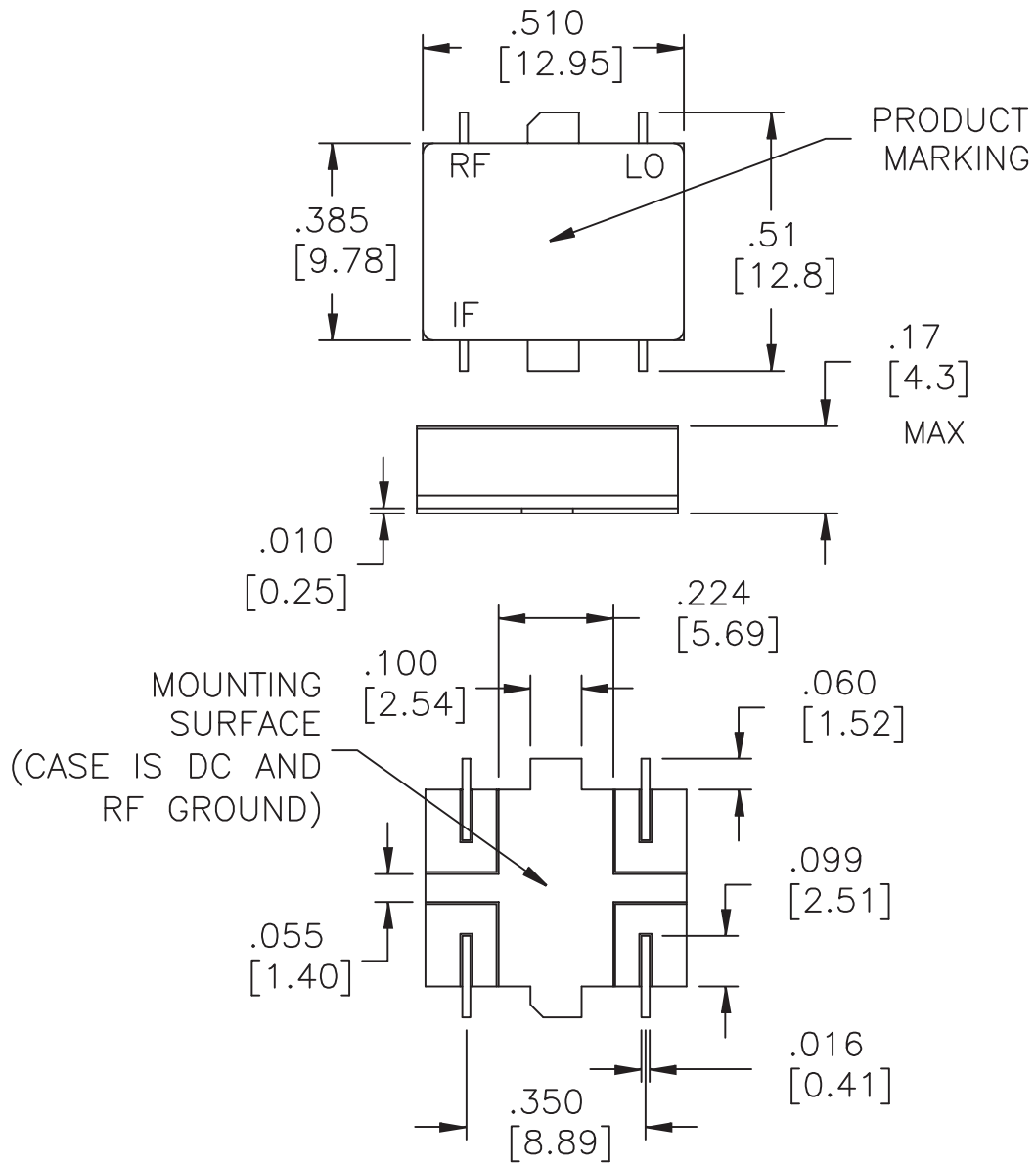
Mixer Carrier - 7



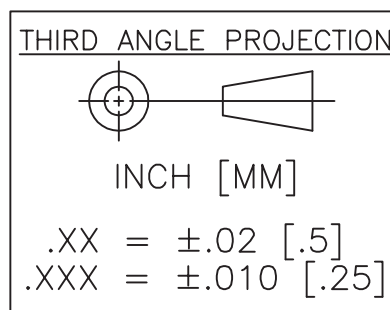
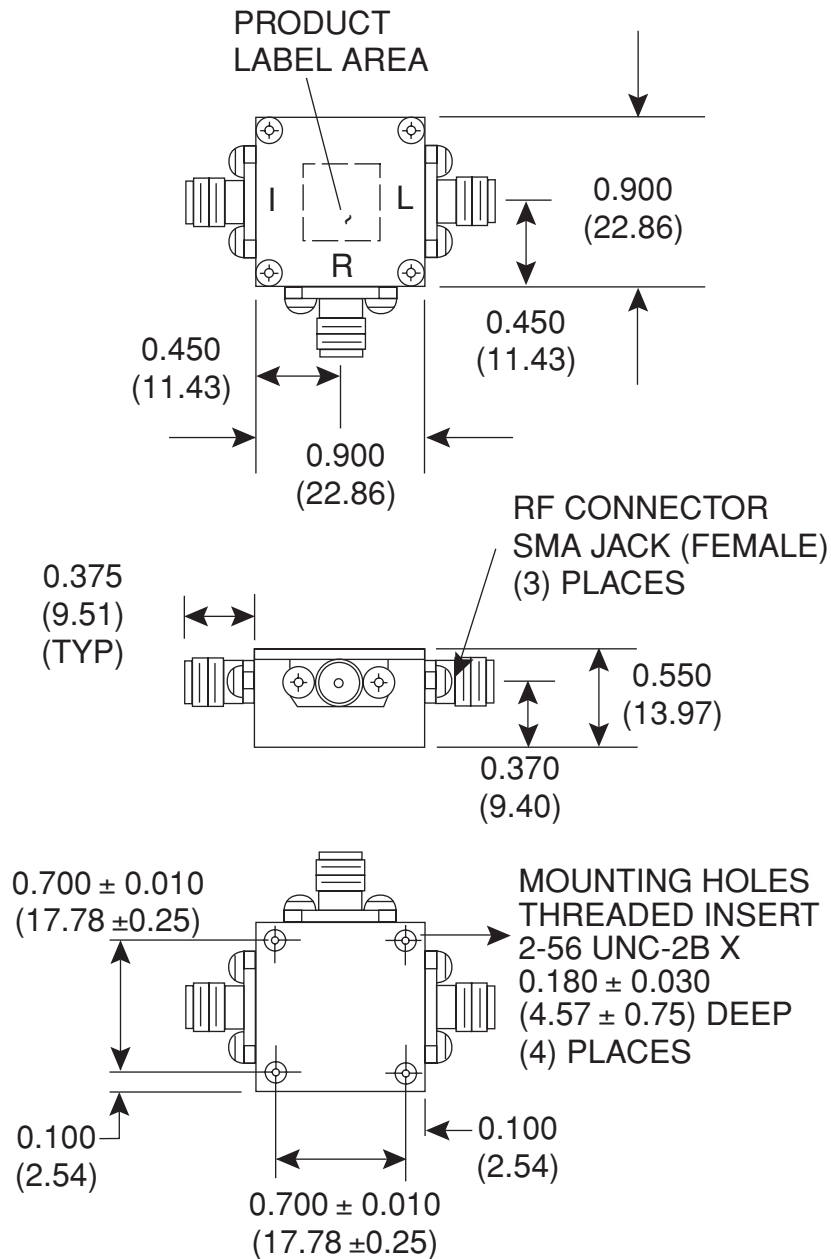
SMT0-8 Mixer



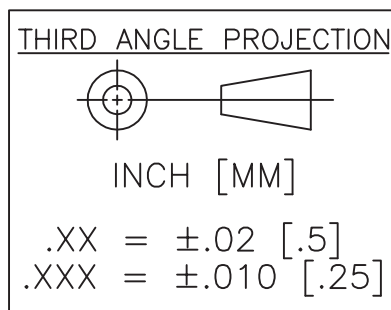
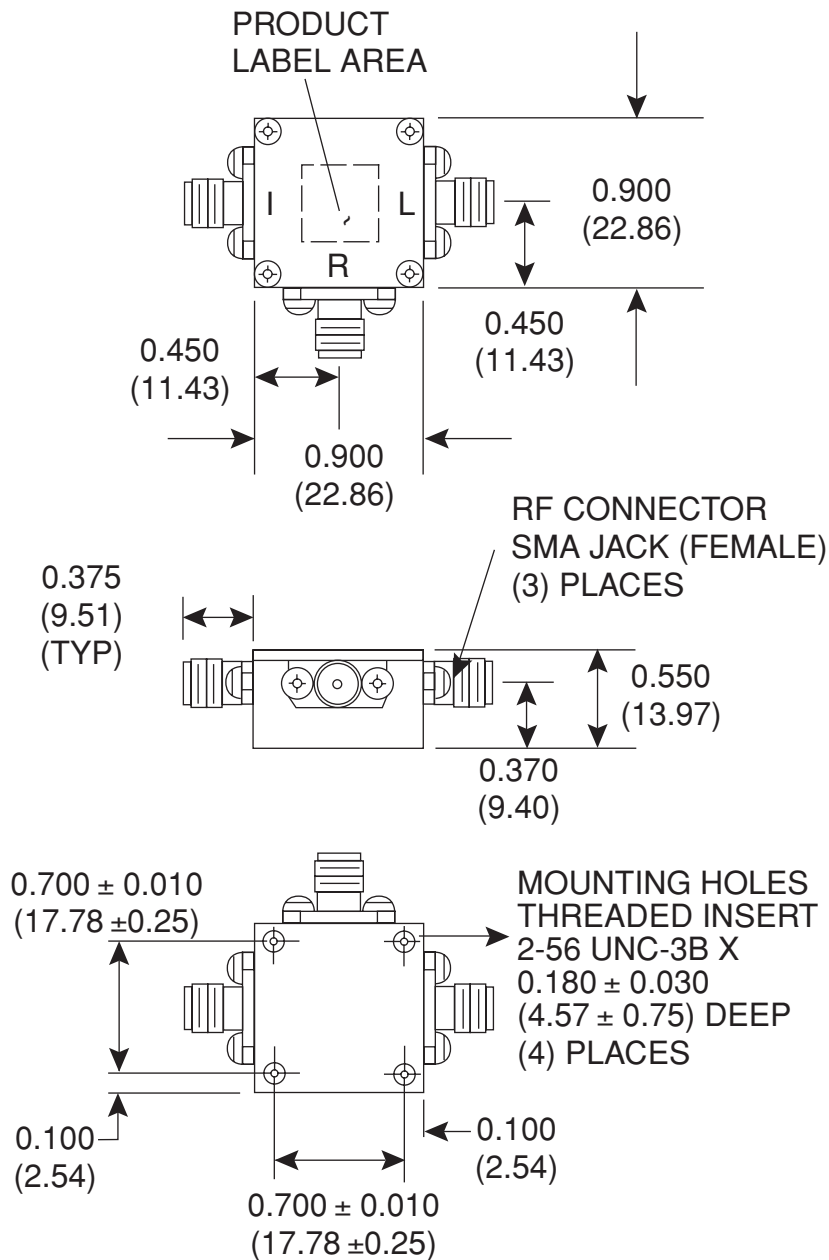
SM Mixer



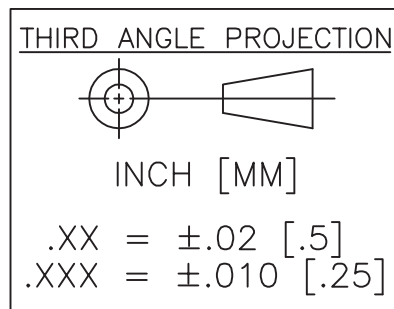
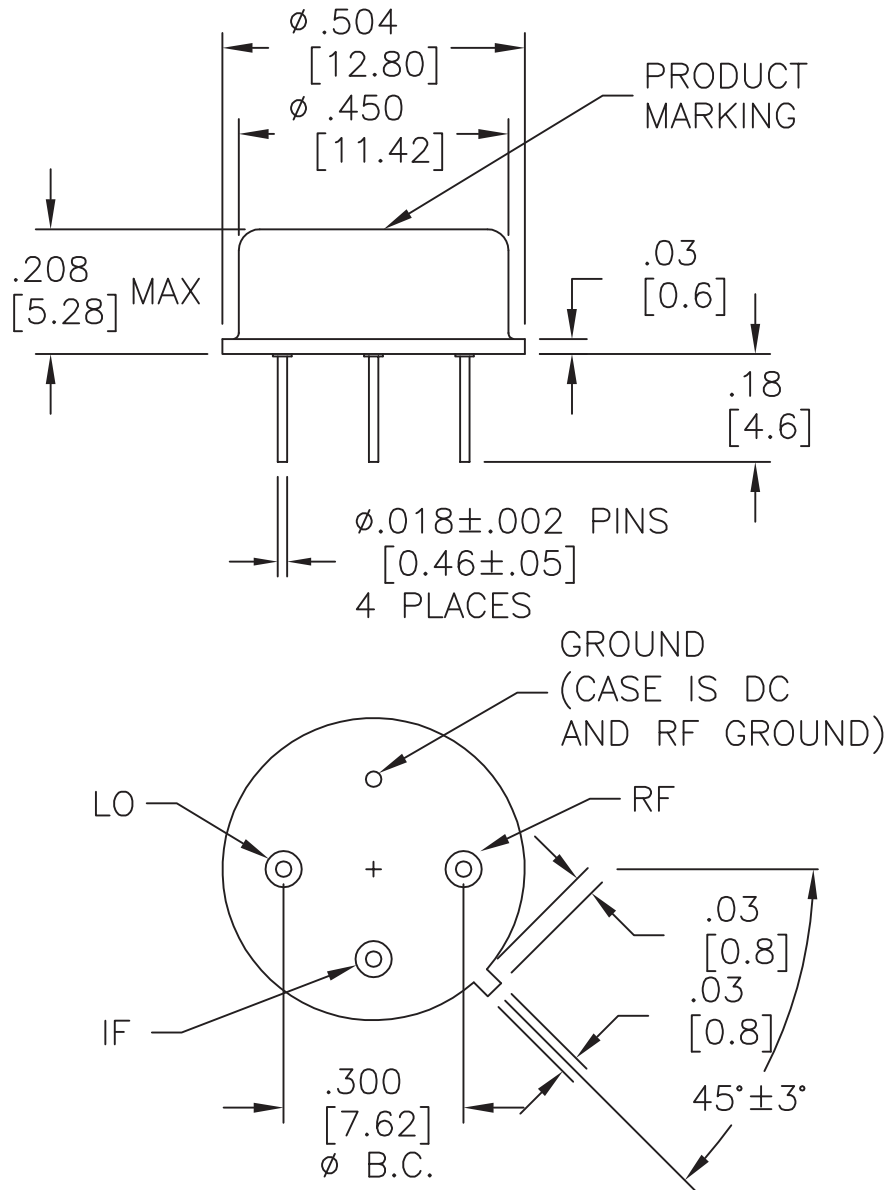
TO-8 Mixer SMA Case



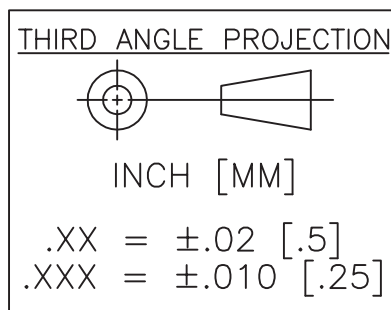
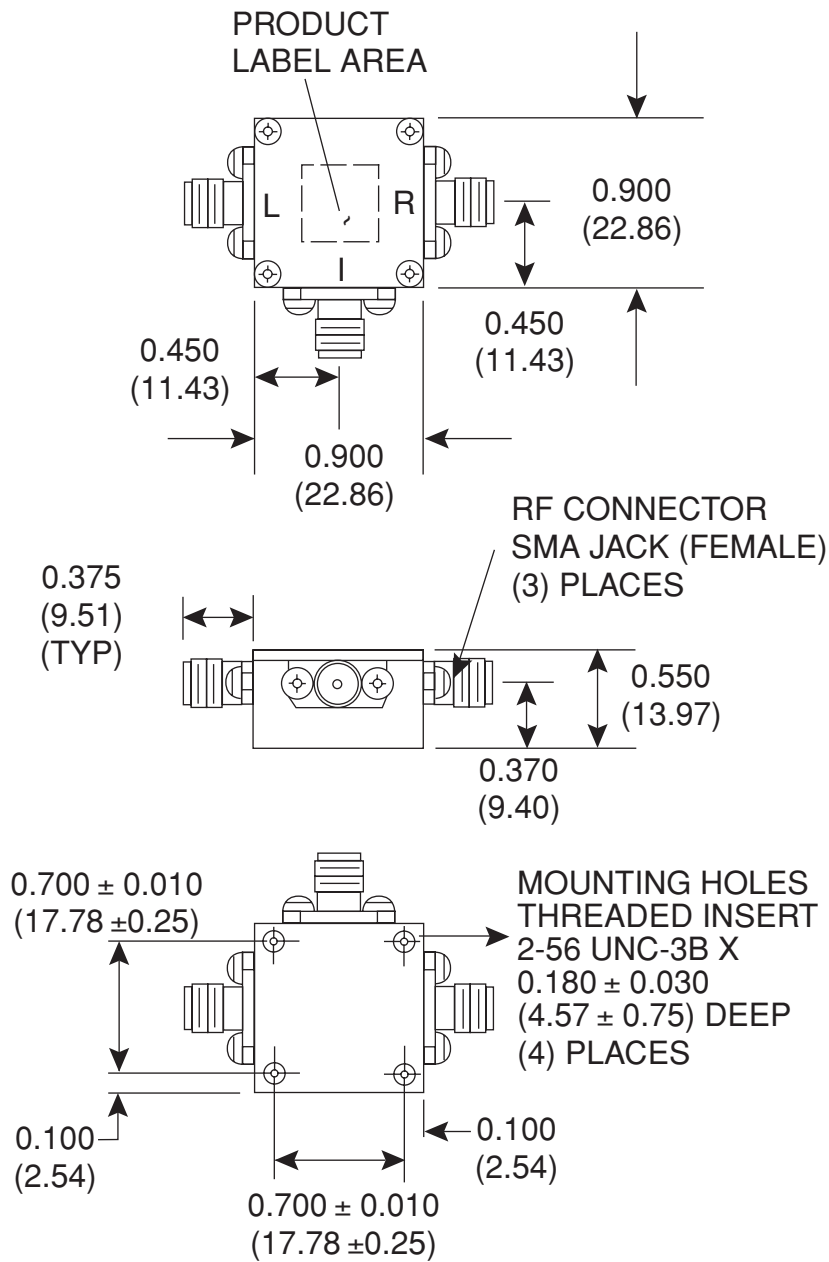
TO-8 SMA Mixer Package (Triple Balanced)



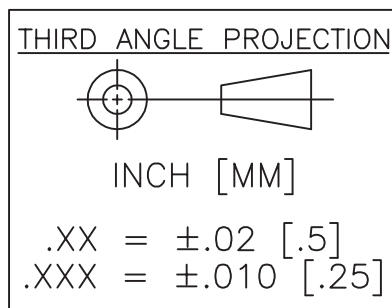
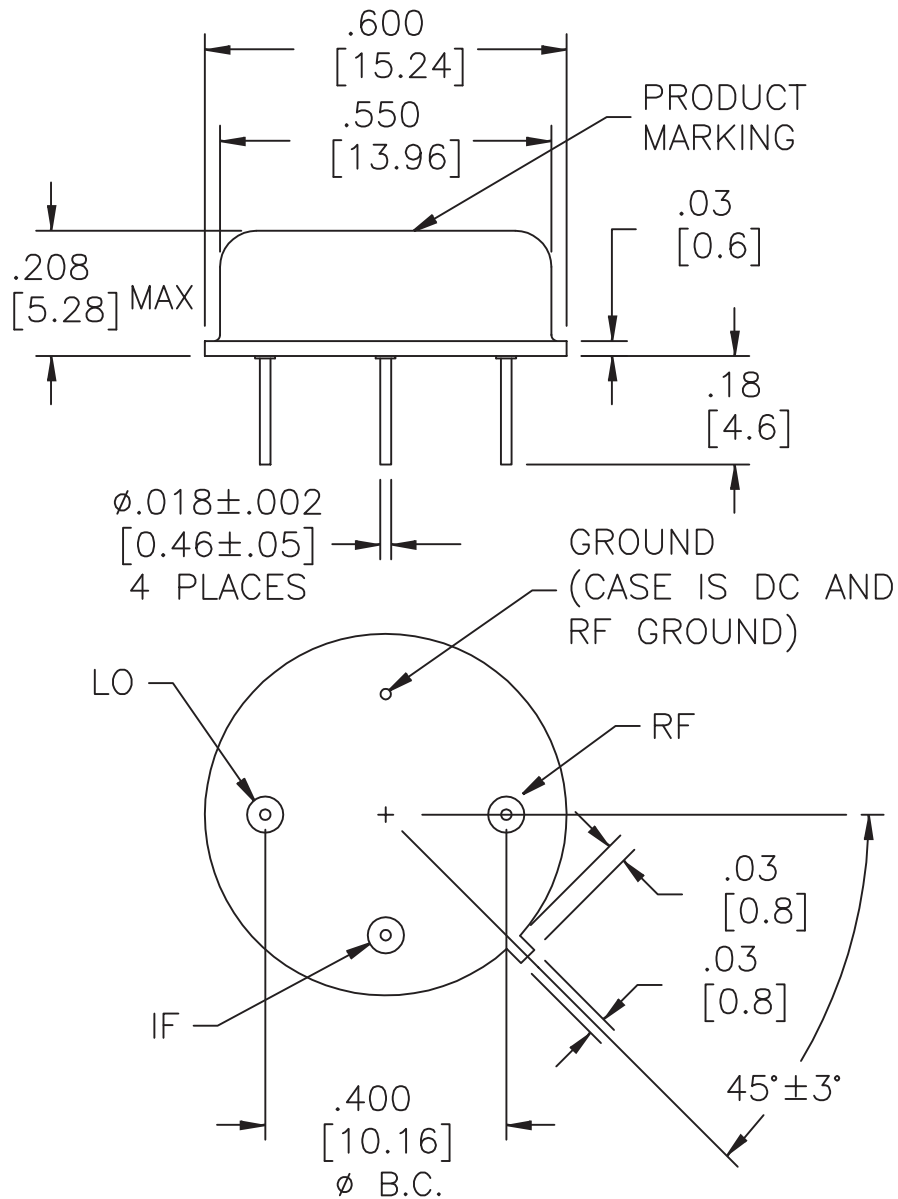
TO-8 Mixer Package



TO-8 SMA Mixer Package (Double Balanced)



TO-8B Mixer Package



TO-8H Mixer Package

