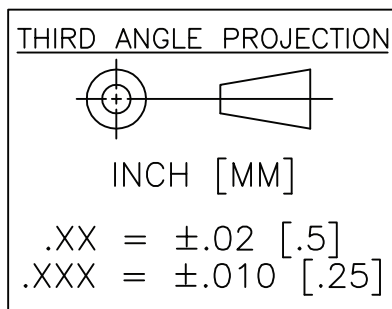
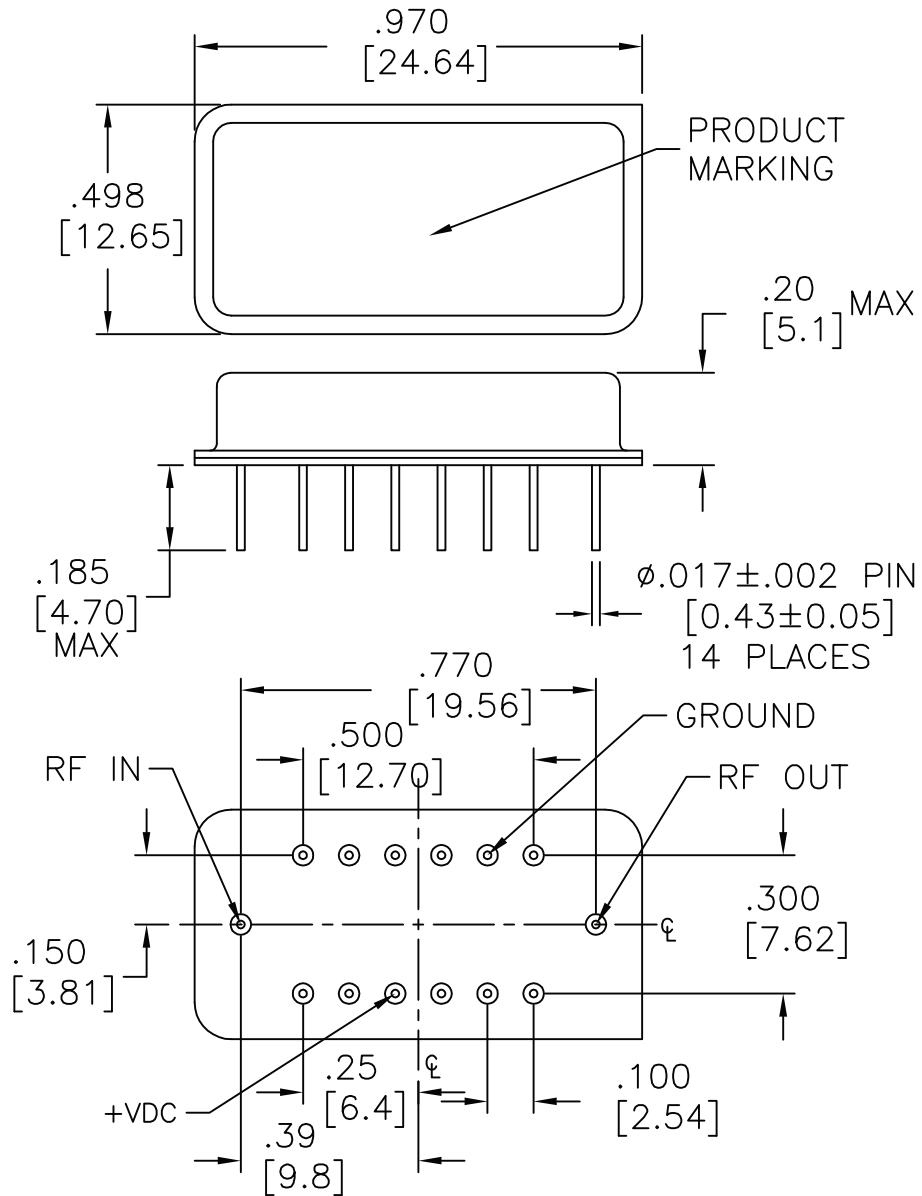
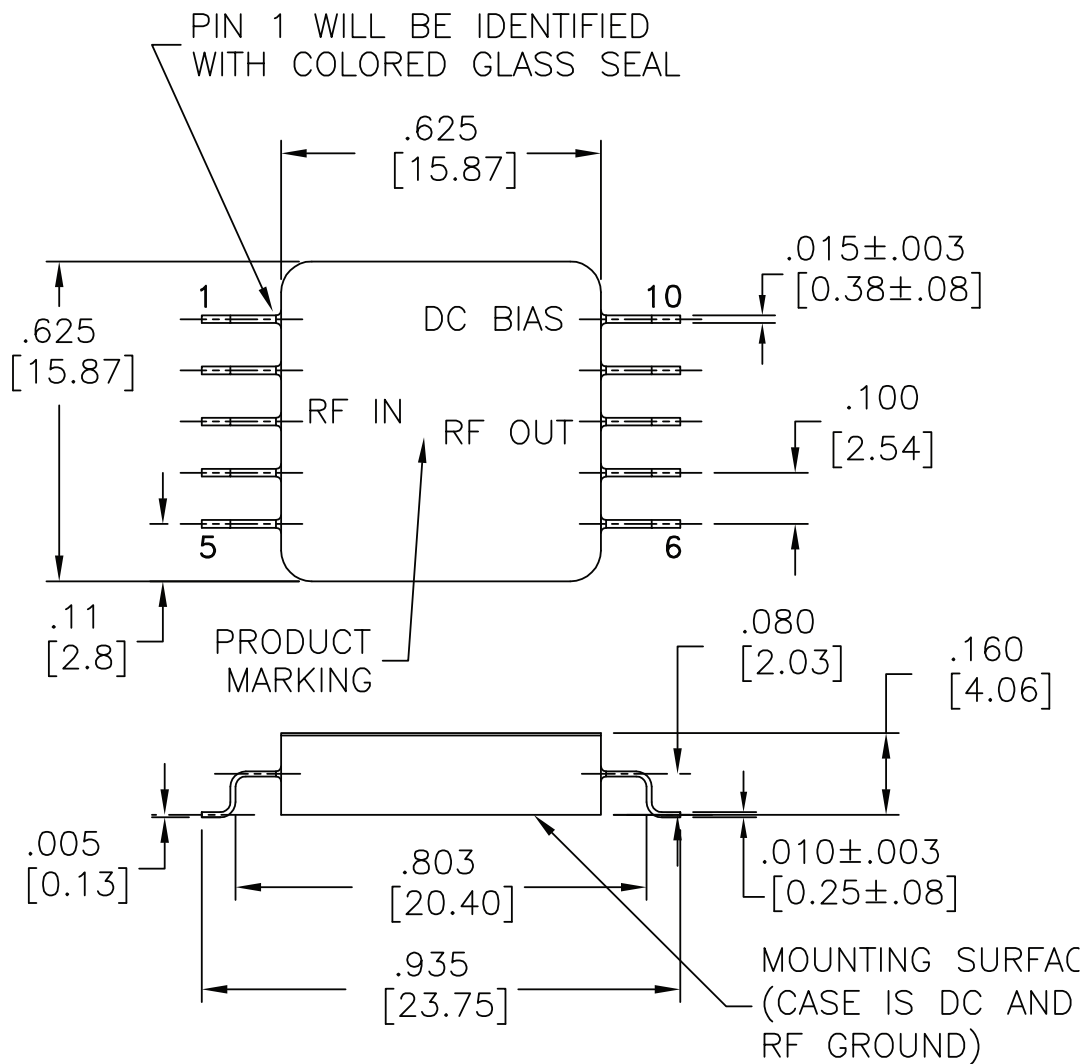


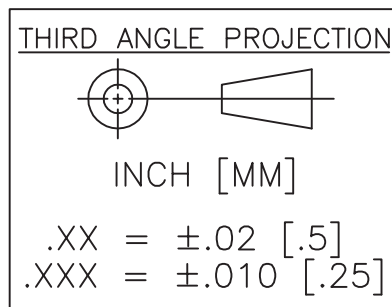
# DIP Case (14 Pin)



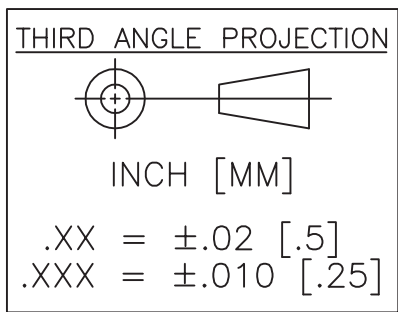
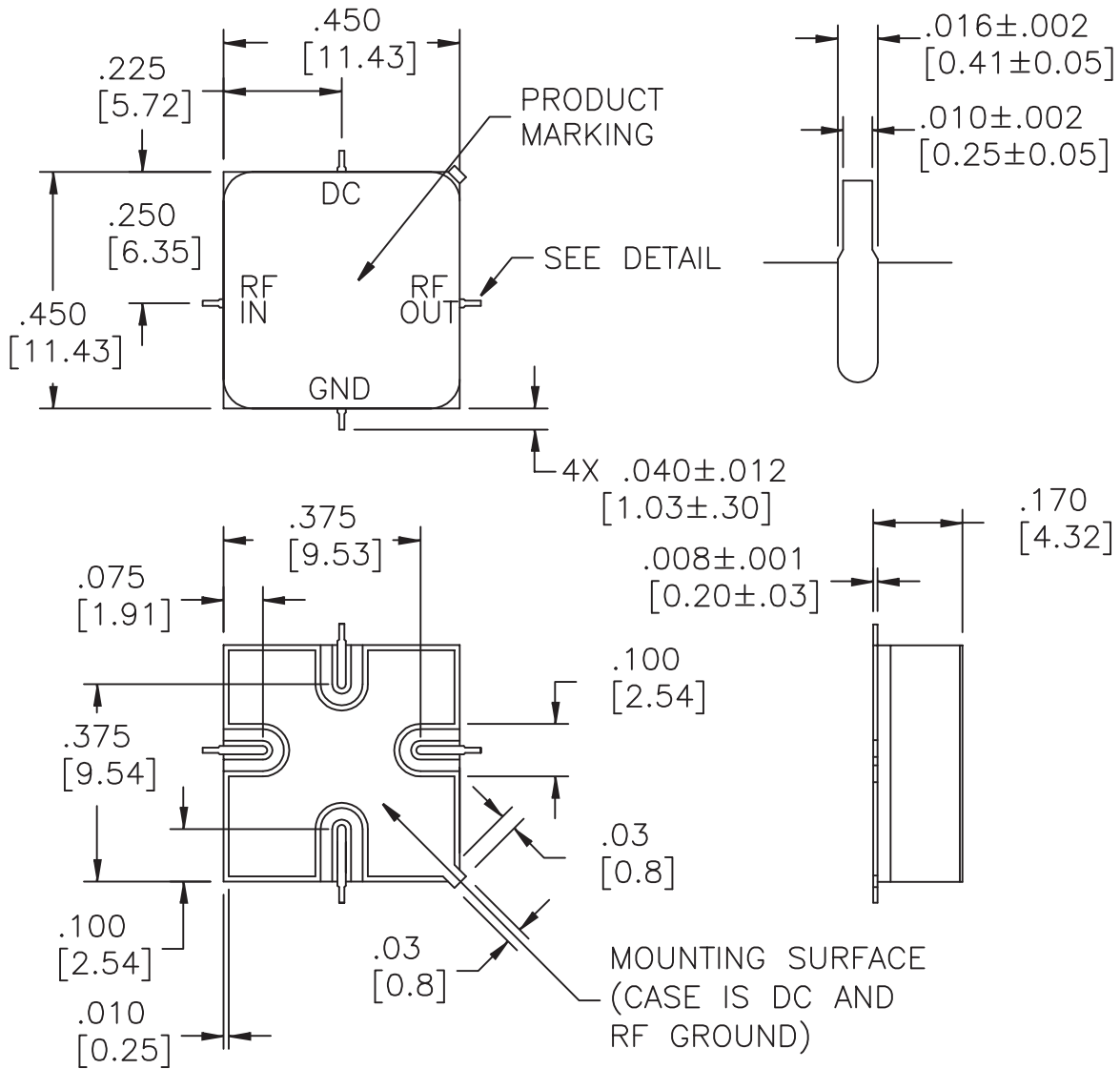
# Flatpack (10-pin Gullwing)



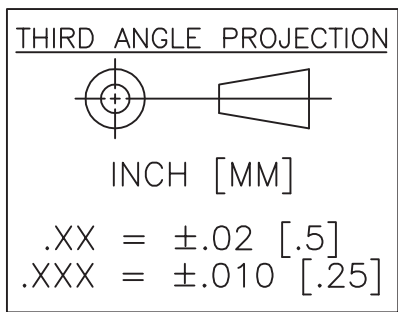
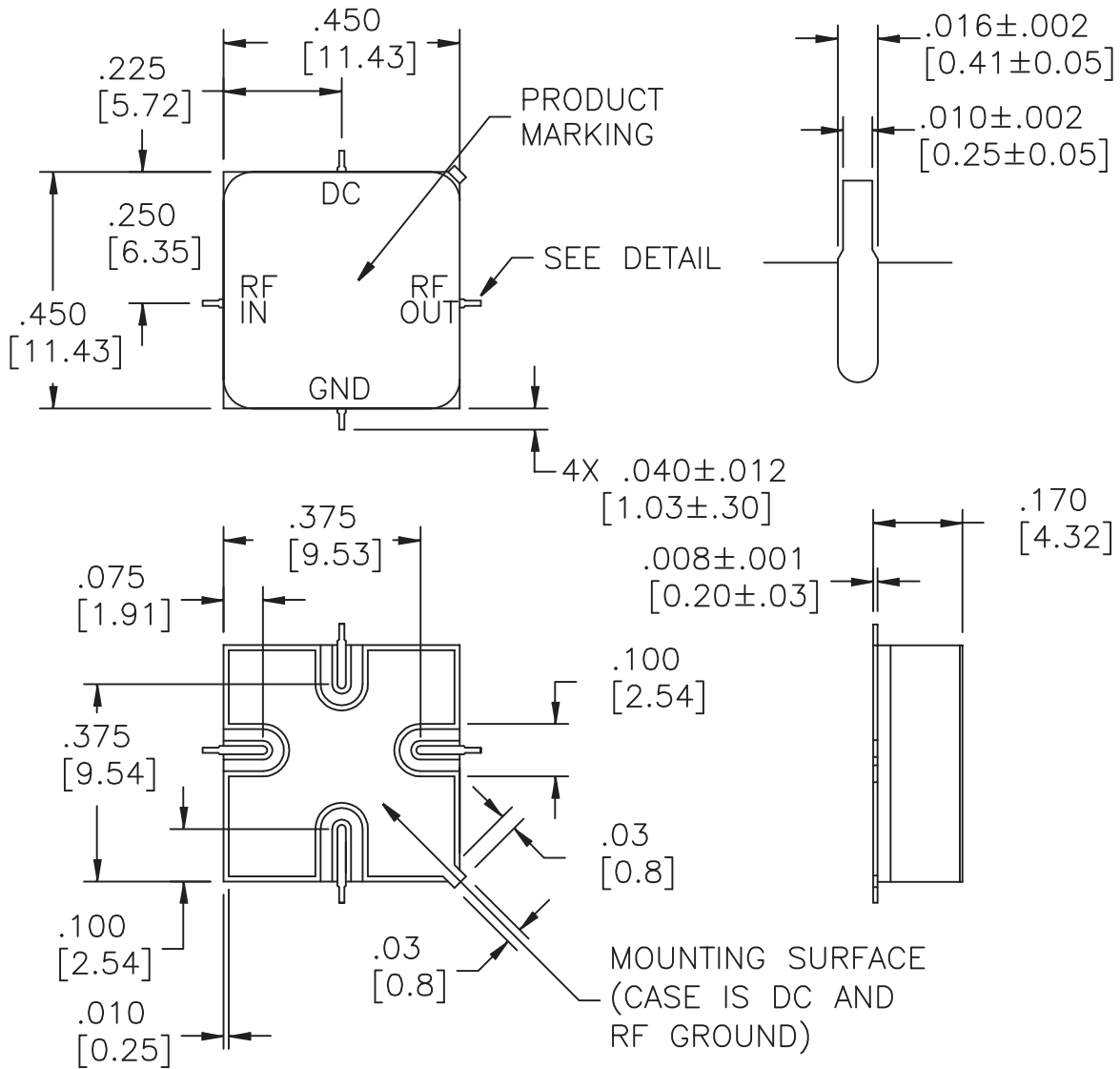
PIN 1,2,4,5, 6,7, AND 9 HAVE NO CURRENT.



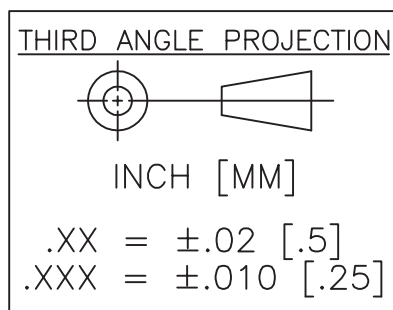
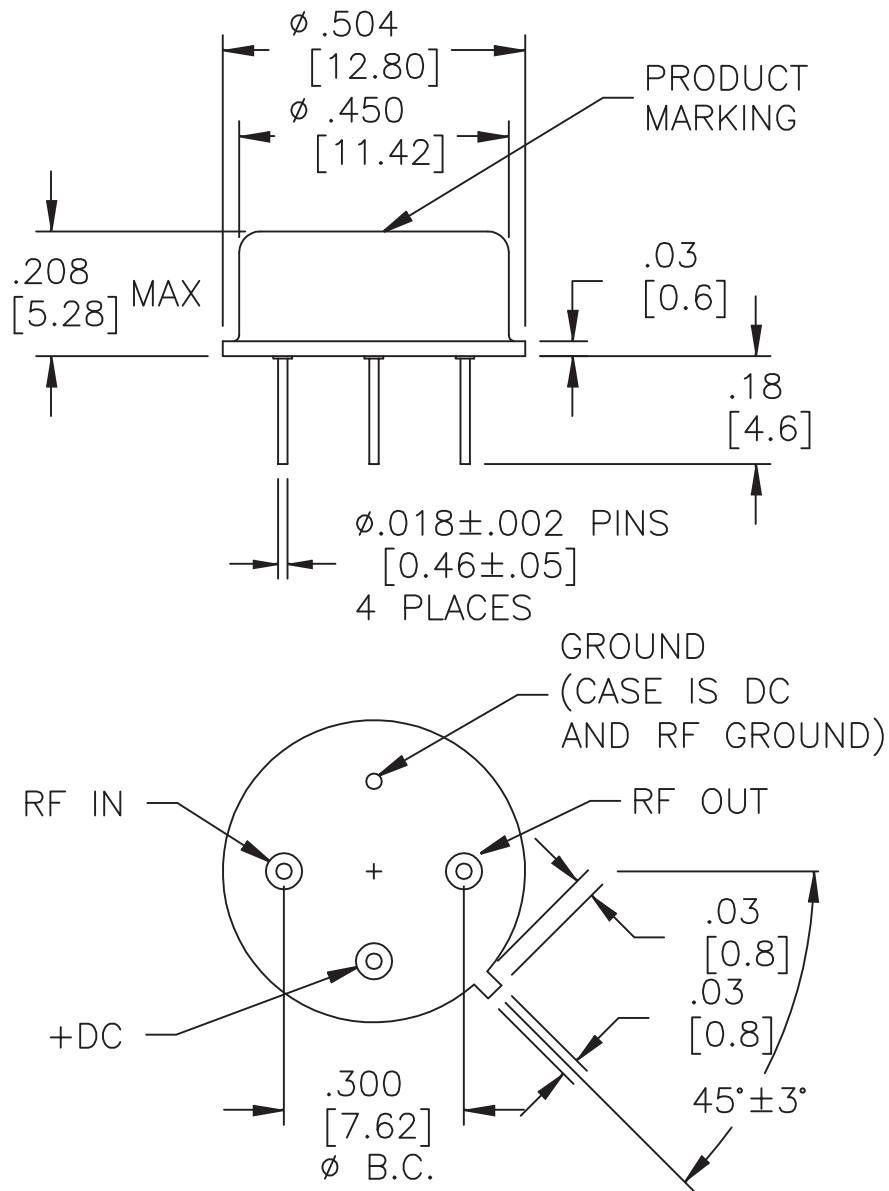
# SMT0-8 Amplifier Package



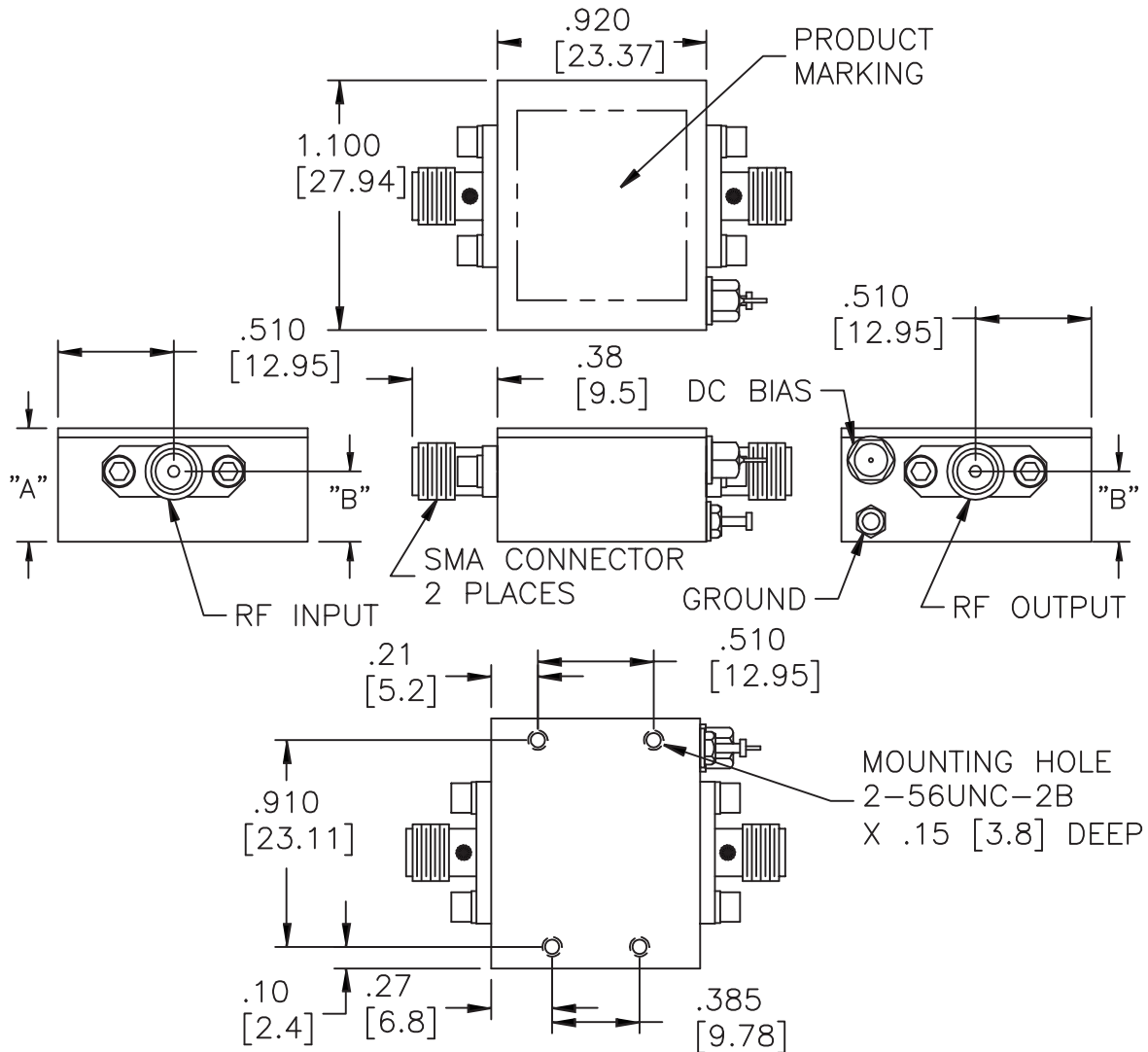
# SMT0-8 Amplifier Package



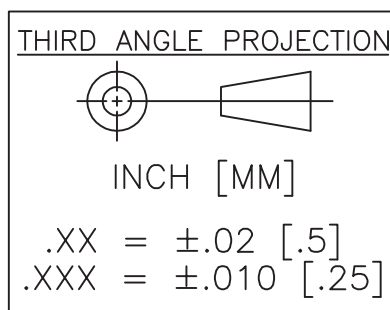
# TO-8 Amplifier Package for Limiters and Limiting Amplifiers



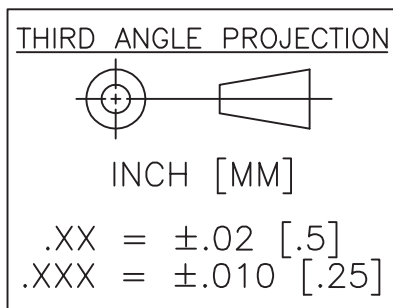
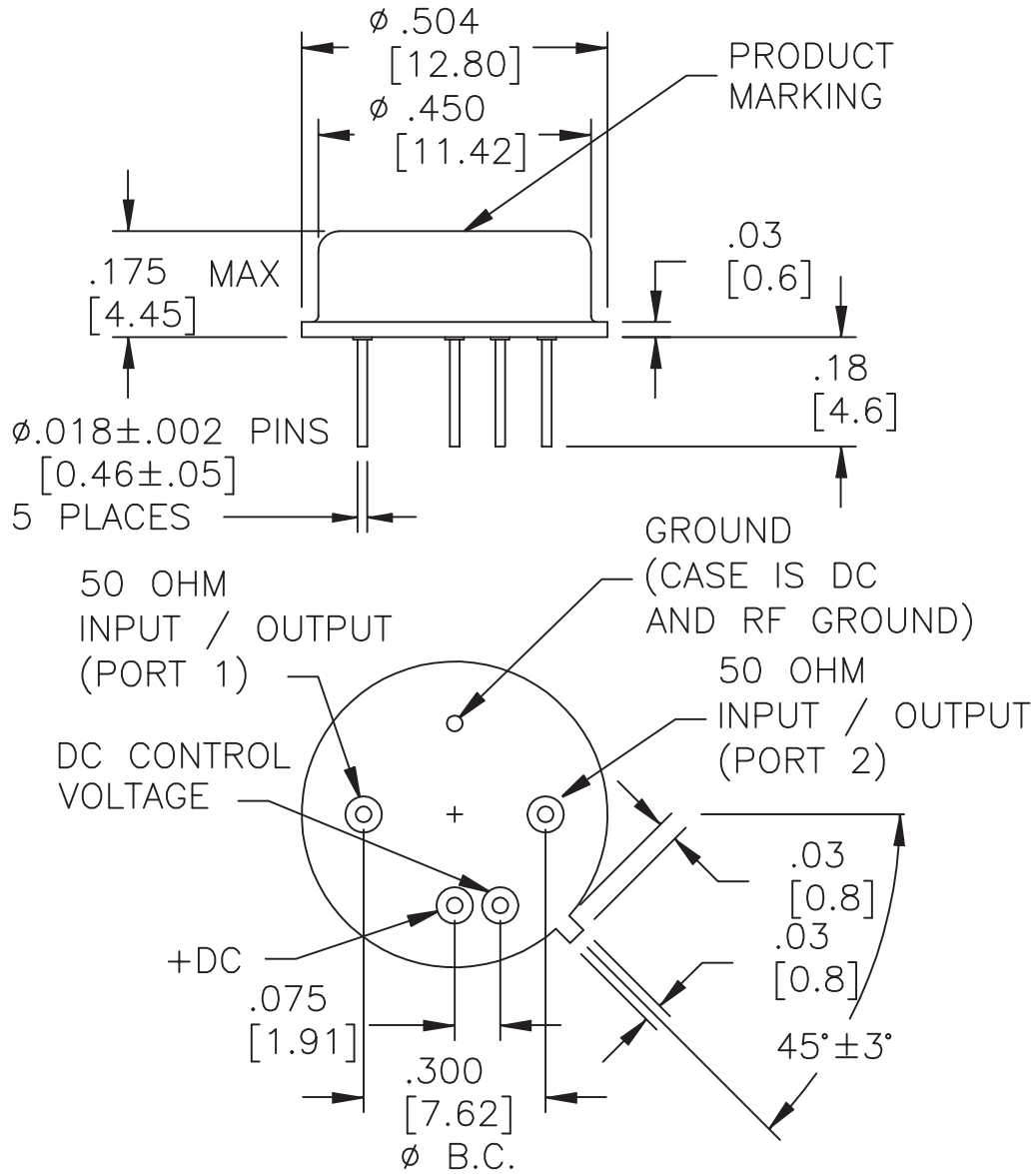
# TO-8B, TO-8BH Amplifier SMA Case



PACKAGE	DIM "A"	DIM "B"
TO-8B	.50 [12.7]	.31 [7.9]
TO-8BH	.57 [14.5]	.38 [9.6]



# TO-8F Attenuator Package



# TO-8U Amplifier Package

