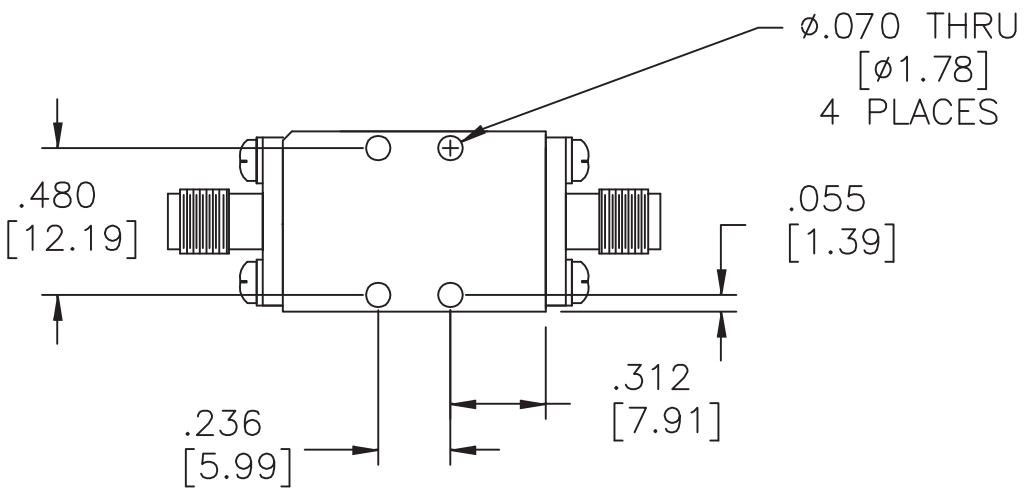
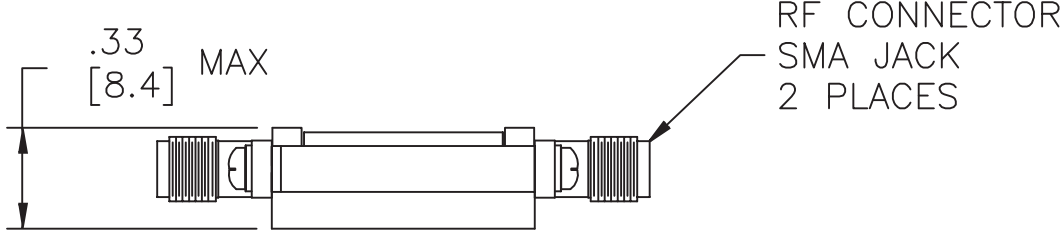
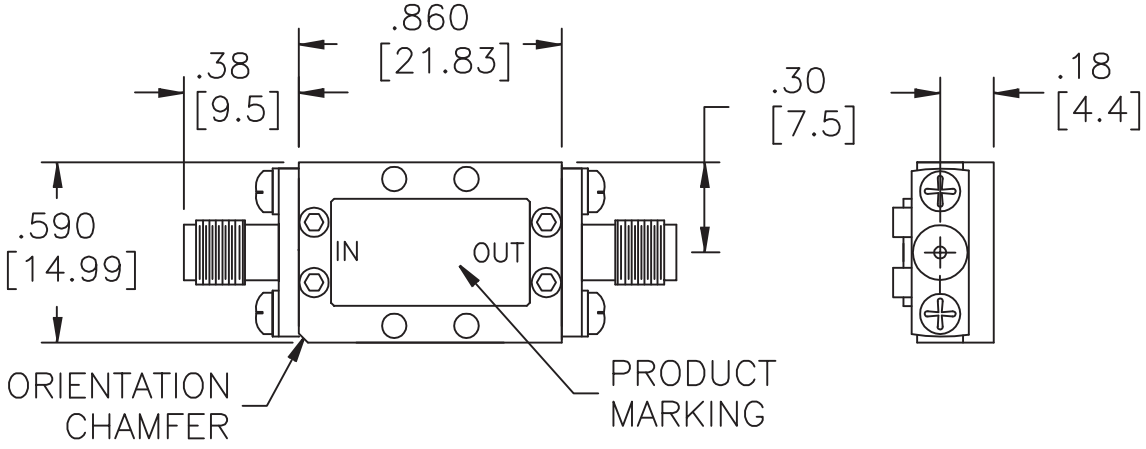


Cougar MixerPak™ for Frequency Doubler

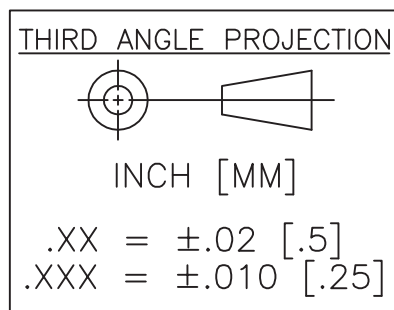
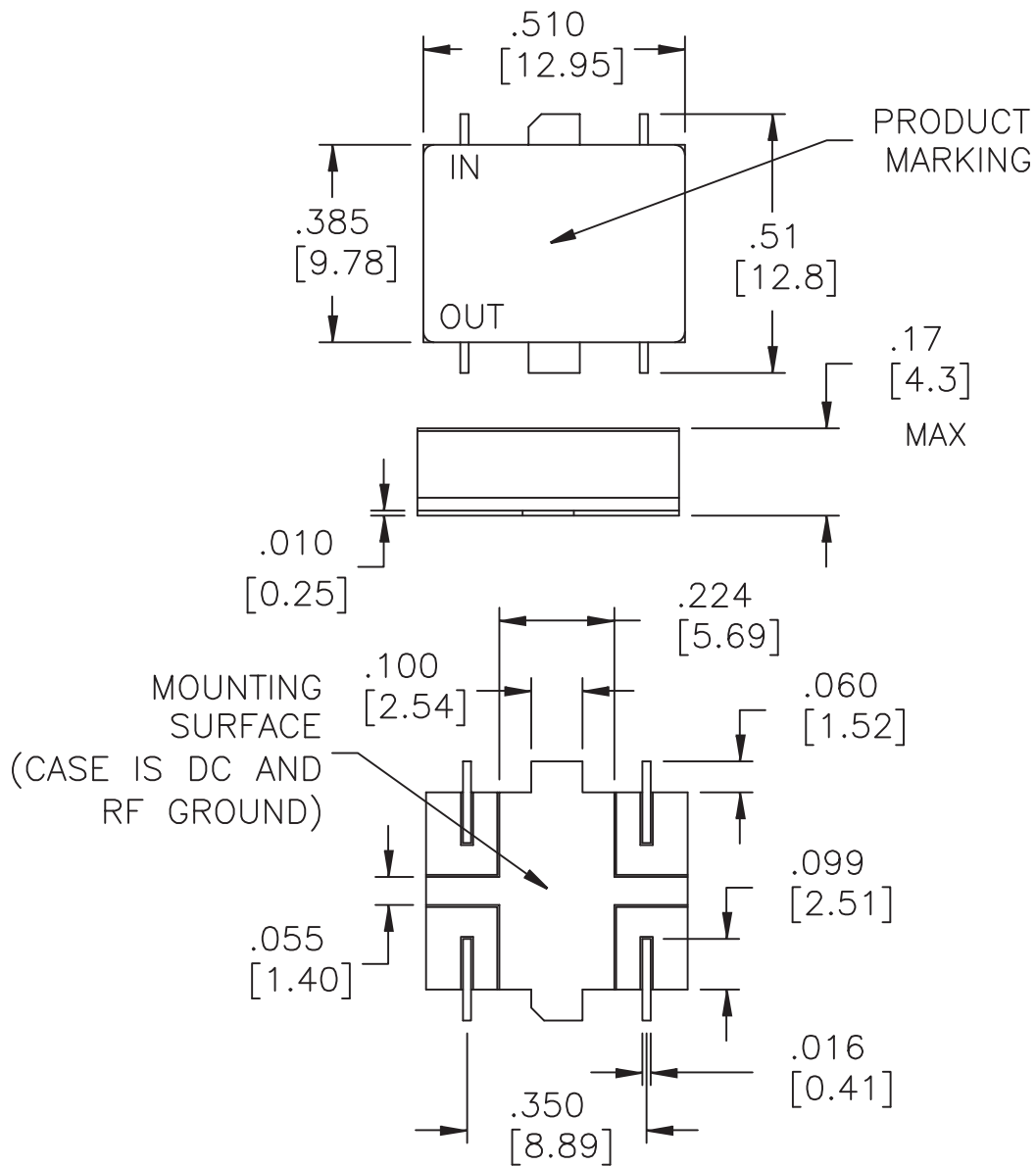


THIRD ANGLE PROJECTION

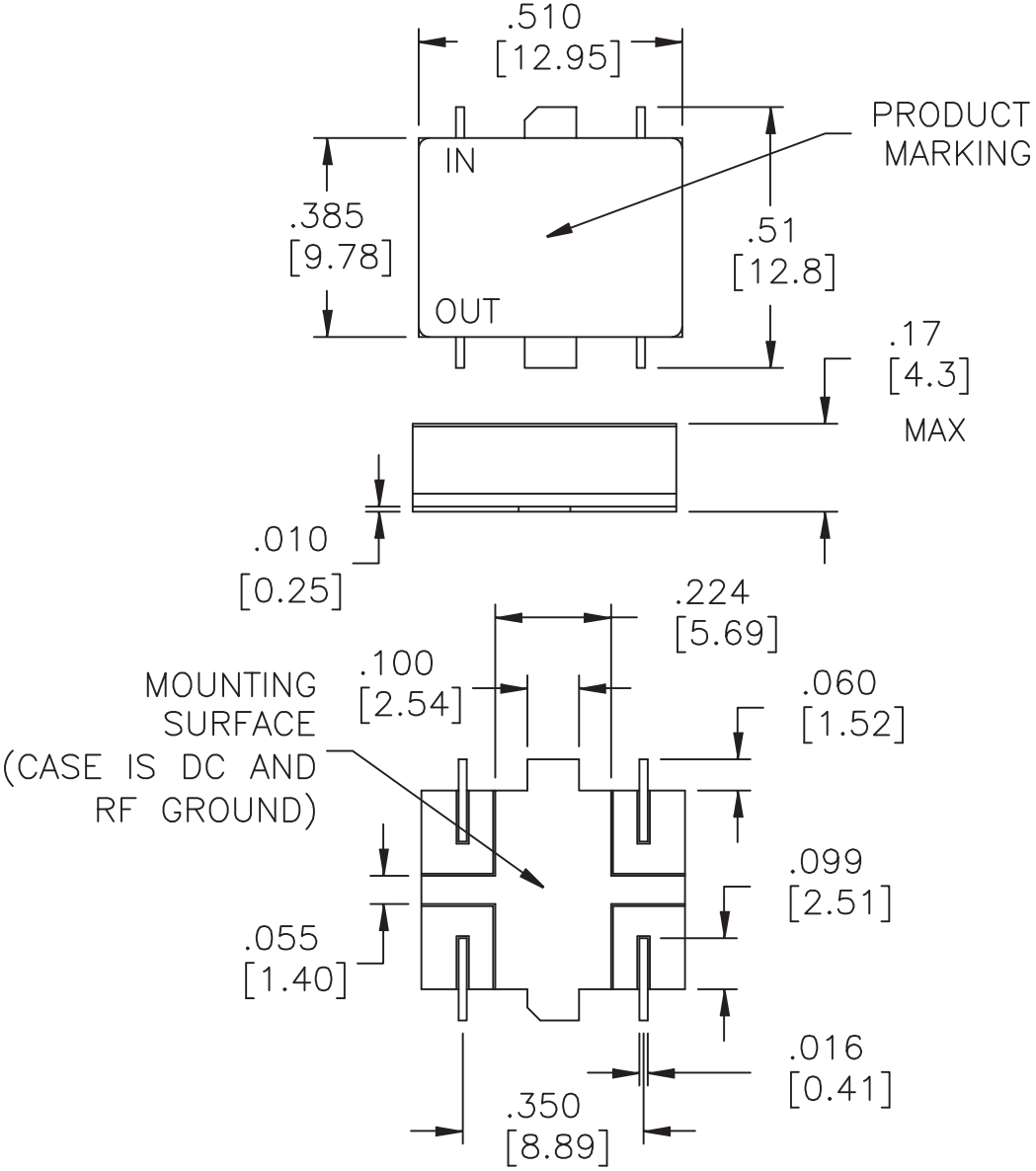
INCH [MM]

.XX = $\pm.02$ [.5]
 .XXX = $\pm.010$ [.25]

SM Mixer for Frequency Doubler



TO-8 SM Mixer for Frequency Doubler



THIRD ANGLE PROJECTION

INCH [MM]

.XX = ± 0.02 [.5]
 .XXX = ± 0.010 [.25]