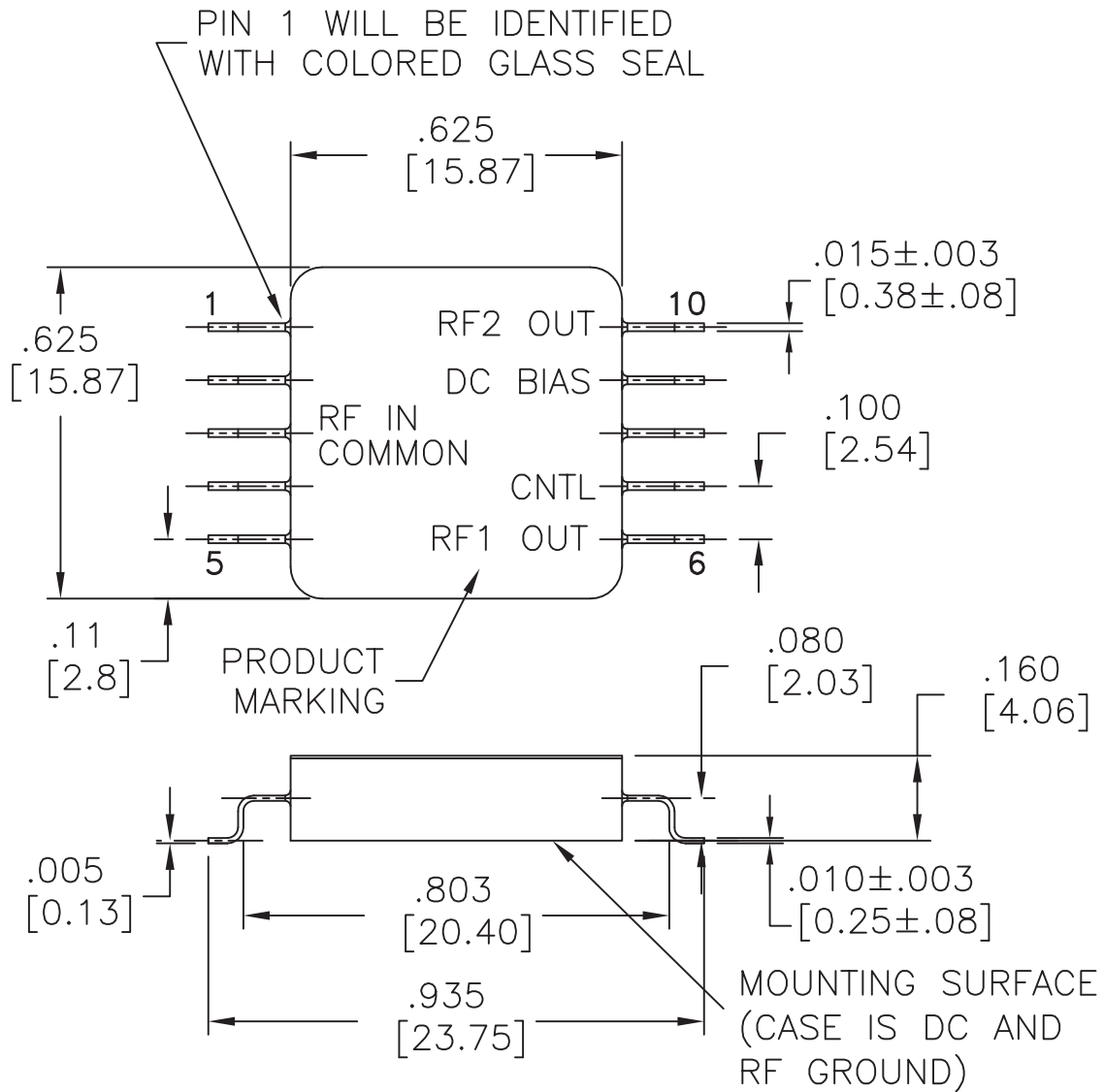


# Flatpack Switch

## (10-pin Gullwing)



PIN 1, 2, 4, 5, AND 8 HAVE NO CURRENT.

