

PARTNUMBER	DESCRIPTION
CCT-59S	Terminated, Latching SP10T, DC-18GHz, Coaxial Switch
CT-59S	Elite, Latching SP10T, DC-18GHz, Coaxial Switch

The CCT-59S is a broadband, multi-throw, electromechanical coaxial switch designed to switch a microwave signal from a common input to any of 10 outputs. The characteristic impedance is 50 Ohms. Each position has an individual actuator mechanism allowing random position selection and minimizes switching time. The CCT-59S comes with a latching actuator. The latching switch remains in the last position selected when the switch is de-energized and requires a reset pulse before a new position is selected. A separate reset circuit allows all positions to be set to an open position. User must provide both reset (clear) and set (select new position) commands.



ENVIRONMENTAL AND PHYSICAL CHARACTERISTICS	
Storage Temperature	-55°C to 90°C
Operating Temperature	
CCT-59S	-25°C to 65°C
CT-59S	-55°C to 85°C
CT-59S w/ indicator contacts	-45°C to 85°C
Vibration ¹ 10 ~ 2000 Hz, 300 s MIL-STD-202 Method 204, Condition C	10 G peak
Shock, Half-Sine Pulse MIL-STD-202 Method 213, Condition D	500 G peak
Moisture Resistance ²	95% RH Non-condensing
Mechanical Life	3,000,000 cycles (min.)
Mechanical Life w/ Additional Features	1,000,000 cycles (min.)
Connector Type	SMA
Weight	13.4 oz. (380g) (approx.)

1. Non-operating
2. When moisture seal option is selected

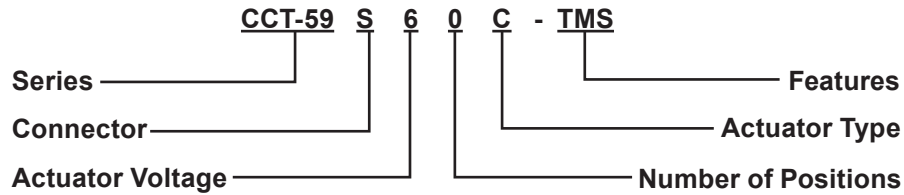
ELECTRICAL CHARACTERISTICS	
RF Contacts	Break before make
Frequency Range	DC-18 GHz
Characteristic Impedance	50 Ω
Terminations	50 Ω, 2 Watts CW max.
Operate Time	20 ms (max.)
Actuation Voltage (Vdc) 20°C	12 15 24 28 V
Actuation Current, max. @ ambient	150 105 125 110 mA
Set Current W/ Auto Reset	NA NA 400 400 mA
Reset Current	1500 1050 1250 1100 mA
TTL/Decoders Voltage/Current ¹	
Low Level (Logic 0)	0.0 ~ 0.7 V / 3.2 mA Max at 0.7 V
High Level (Logic 1)	2.4 ~ 5.5 V / 80 μA Max at 2.4 V
Indicator Contact Rating ²	30 Vdc, 50 mA max
Magnetic Sensitivity	5 Gauss, 0.5 inch max

1. For switches with TTL driver or decoder
2. For switches with indicator

PERFORMANCE CHARACTERISTICS			
Frequency	DC-6 GHz	6-12 GHz	12-18 GHz
Insertion Loss, (max.)	0.20 dB	0.40 dB	0.50 dB
Isolation, (min.)	70 dB	60 dB	60 dB
VSWR, (max.)	1.30:1	1.40:1	1.60:1

Please see charts on page 5.

PART NUMBERING SYSTEM



1. Series
 CCR-59 : Commerical, Operating Temp (-25°C to 65°C)
 CR-59 : Elite, Operating Temp (-55°C to 85°C)

2. Connector
 S : SMA Female

3. Actuator Voltages
 6 : 28 Vdc Latching
 7 : 15 Vdc Latching
 8 : 12 Vdc Latching
 9 : 24 Vdc Latching

4. Number of Positions
 0 : SP10T

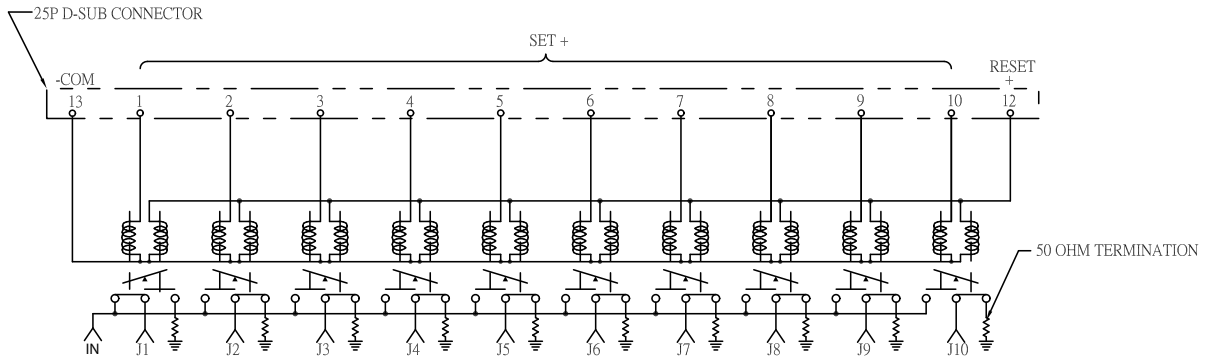
5. Actuator Types
 0 : Standard
 C : Inidicator Contacts
 D : Self Cutoff Only
 E : Indicators and Self Cutoff

6. Features
 A : Auto Reset¹
 D : Transient Suppression & Polarity Protection Diodes
 R : Positive + Common
 T : TTL Driver with Diodes
 TD: TTL Driver with Decoder and Diodes
 M : Moisture Resistant
 S : 25-Pin D-Sub Connector (Male)²

1. Auto Reset is only available for 24V and 28V models.
 2. D-sub connector will be provided as standard, -S suffix will need to be included in part number. For terminals, please contact factory

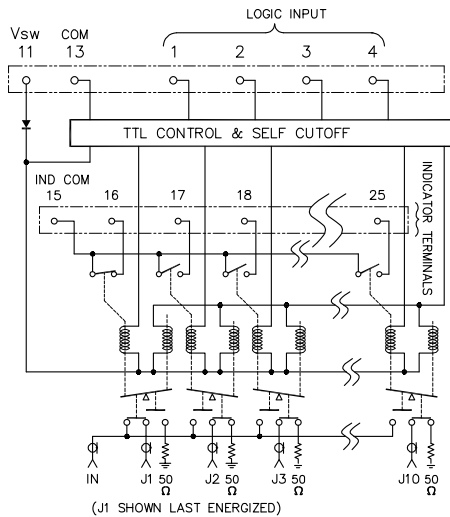
SCHEMATICS AND MECHANICAL OUTLINE

D-Sub Model



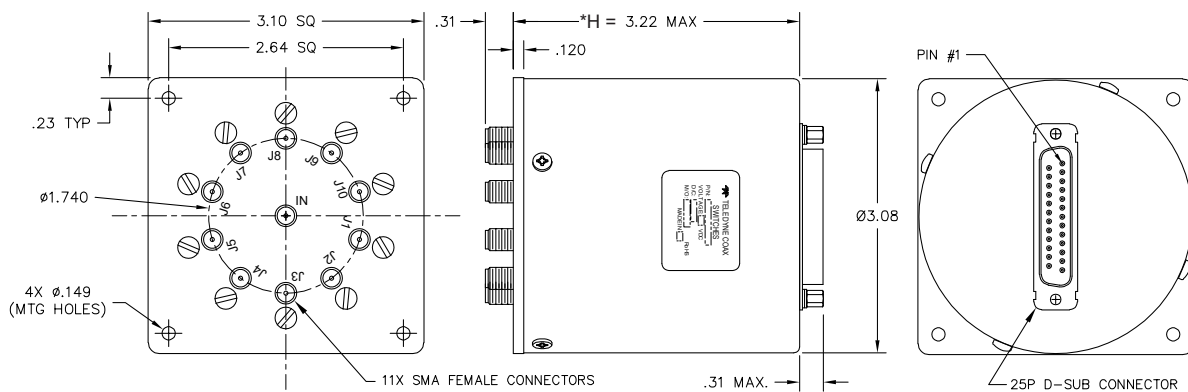
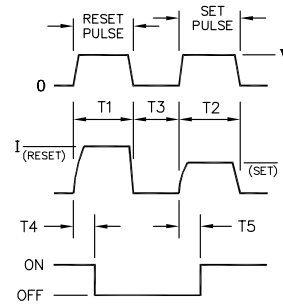
SCHEMATIC
 COIL 1 SHOWN LAST ENERGIZE

**D-Sub with TTL, Self-Cutoff,
 & Indicators Model**



(J1 SHOWN LAST ENERGIZED)

- ACTUATION CHARACTERISTICS:**
- REQUIRES TWO (2) SEQUENTIAL PULSES (RESET & SET)
 - T1 & T2 = 50 mSEC MIN
 - T3 = 50 mSEC MIN
 - T4 & T5 = 20 mSEC MAX

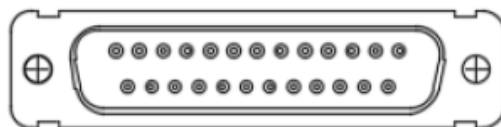


*H = 2.15" Max for D-Sub only model
 All other models will be 3.22 Max

TRUTH TABLE & PINOUT

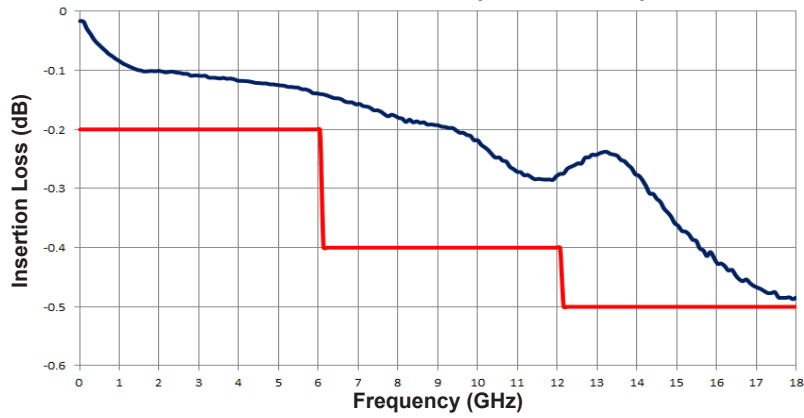
TTL DECODER TRUTH TABLE													
LOGIC INPUT				RF POSITION									
Logic 1	Logic 2	Logic 3	Logic 4	J1	J2	J3	J4	J5	J6	J7	J8	J9	J10
0	0	0	0	ON	OFF	OFF	OFF	OFF	OFF	OFF	OFF	OFF	OFF
1	0	0	0	OFF	ON	OFF	OFF	OFF	OFF	OFF	OFF	OFF	OFF
0	1	0	0	OFF	OFF	ON	OFF	OFF	OFF	OFF	OFF	OFF	OFF
1	1	0	0	OFF	OFF	OFF	ON	OFF	OFF	OFF	OFF	OFF	OFF
0	0	1	0	OFF	OFF	OFF	OFF	ON	OFF	OFF	OFF	OFF	OFF
1	0	1	0	OFF	OFF	OFF	OFF	OFF	ON	OFF	OFF	OFF	OFF
0	1	1	0	OFF	OFF	OFF	OFF	OFF	OFF	ON	OFF	OFF	OFF
1	1	1	0	OFF	OFF	OFF	OFF	OFF	OFF	OFF	ON	OFF	OFF
0	0	0	1	OFF	OFF	OFF	OFF	OFF	OFF	OFF	OFF	ON	OFF
1	0	0	1	OFF	OFF	OFF	OFF	OFF	OFF	OFF	OFF	OFF	ON
0	1	1	1	RESET									
1	1	1	1	ALL COILS OFF									

25 PIN D-SUB PINOUT (DB-25)						
OPTIONS						
Pin No.	Standard	Indicator	TTL	TTL + IND	TTL + Decoder	TTL + DEC+ IND
1	POS 1	POS 1	TTL 1	TTL 1	LOGIC 1	LOGIC 1
2	POS 2	POS 2	TTL 2	TTL 2	LOGIC 2	LOGIC 2
3	POS 3	POS 3	TTL 3	TTL 3	LOGIC 3	LOGIC 3
4	POS 4	POS 4	TTL 4	TTL 4	LOGIC 4	LOGIC 4
5	POS 5	POS 5	TTL 5	TTL 5		
6	POS 6	POS 6	TTL 6	TTL 6		
7	POS 7	POS 7	TTL 7	TTL 7		
8	POS 8	POS 8	TTL 8	TTL 8		
9	POS 9	POS 9	TTL 9	TTL 9		
10	POS 10	POS 10	TTL 10	TTL 10		
11			Vsw (J)	Vsw (J)	Vsw (J)	Vsw (J)
12	RESET (R)	RESET (R)	RESET (R)	RESET (R)		
13	COM (C)	COM (C)	COM (C)	COM (C)	COM (C)	COM (C)
14						
15		IND COM (D)		IND COM (D)		IND COM (D)
16		IND 1 (E)		IND 1 (E)		IND 1 (E)
17		IND 2 (F)		IND 2 (F)		IND 2 (F)
18		IND 3 (G)		IND 3 (G)		IND 3 (G)
19		IND 4 (H)		IND 4 (H)		IND 4 (H)
20		IND 5 (K)		IND 5 (K)		IND 5 (K)
21		IND 6 (L)		IND 6 (L)		IND 6 (L)
22		IND 7 (M)		IND 7 (M)		IND 7 (M)
23		IND 8 (N)		IND 8 (N)		IND 8 (N)
24		IND 9 (P)		IND 9 (P)		IND 9 (P)
25		IND 10 (T)		IND 10 (T)		IND 10 (T)

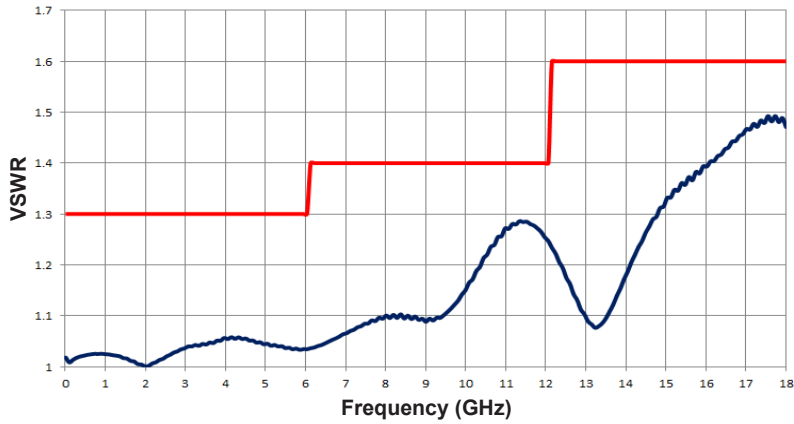


RF PERFORMANCE CURVES

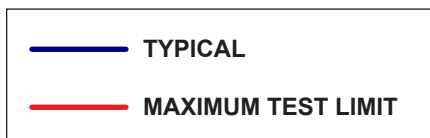
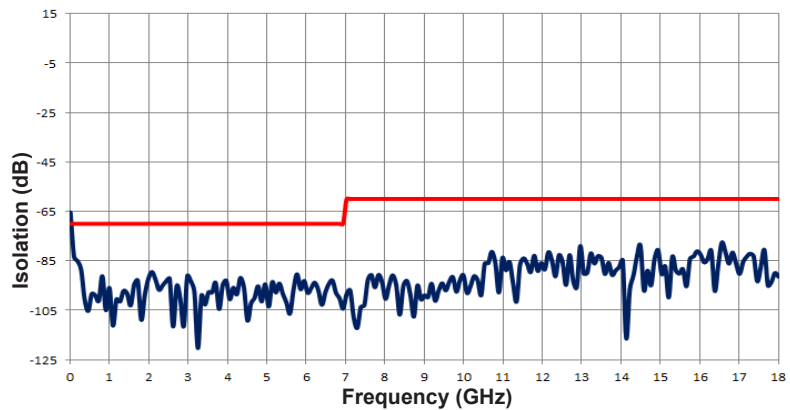
Insertion Loss (DC-18GHz)



VSWR (DC-18GHz)

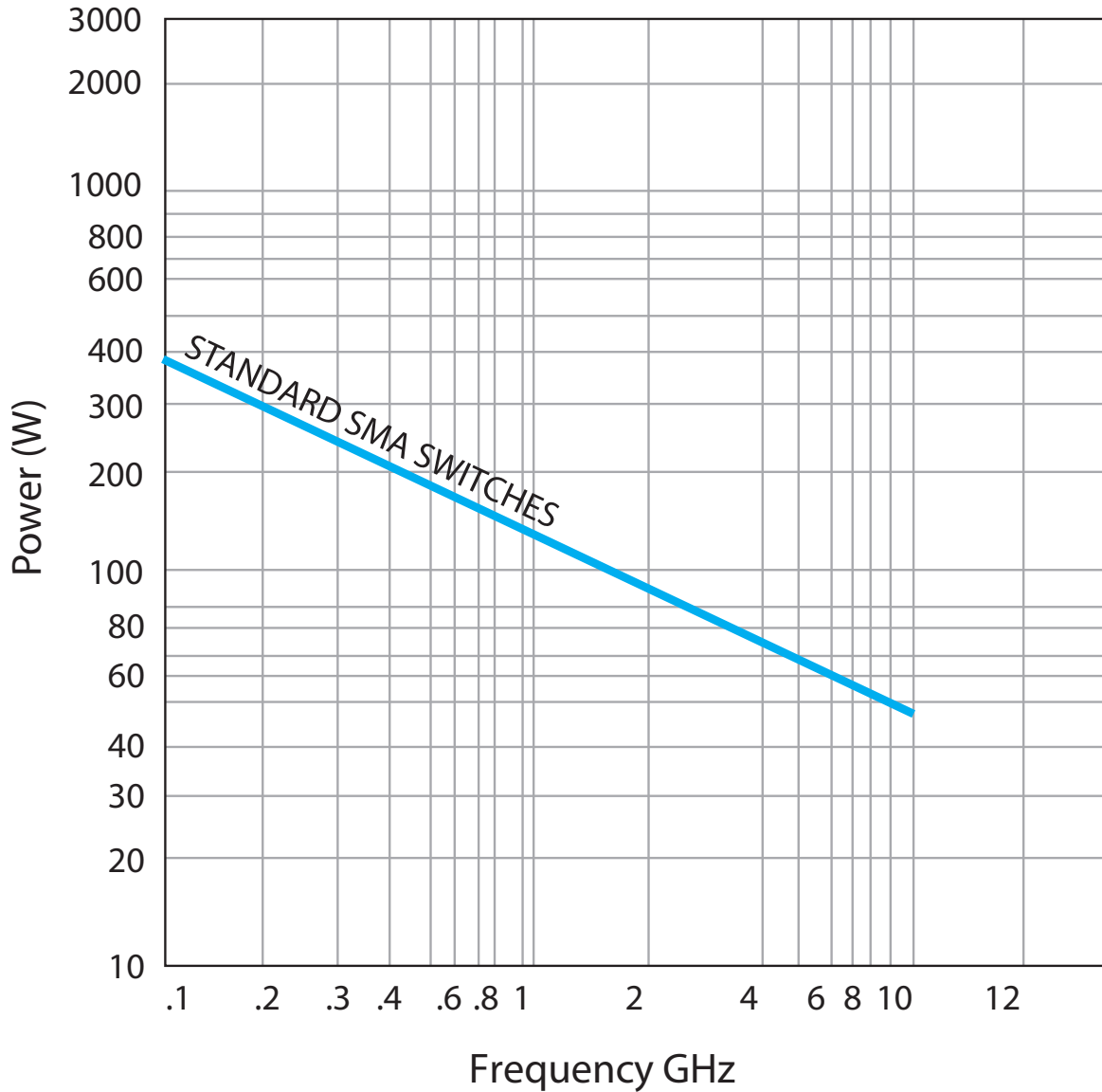


Isolation (DC-18GHz)



TYPICAL POWER PERFORMANCE CURVE

Power Handling vs. Frequency



Estimates based on the following reference conditions:

- Ambient temperature of 40°C or less
- Sea level operation
- Load VSWR of 1.20:1 maximum
- No high-power (hot) switching

Please contact Teledyne Coax Switches for derating factors when applications do not meet the foregoing reference conditions.

GLOSSARY

Actuator

An actuator is the electromechanical mechanism that transfers the RF contacts from one position to another upon DC command.

Arc Suppression Diode

A diode is connected in parallel with the coil. This diode limits the “reverse EMF spike” generated when the coil de-energizes to 0.7 volts. The diode cathode is connected to the positive side of the coil and the anode is connected to the negative side.

Date Code

All switches are marked with either a unique serial number or a date code. Date codes are in accordance with MIL-STD-1285 Paragraph 5.2.5 and consist of four digits. The first two digits define the year and the last two digits define the week of the year (YYWW). Thus, 1032 identifies switches that passed through final inspection during the 32nd week of 2010.

Fail-safe

A fail-safe switch reverts to the default or fail-safe position when actuating voltage is removed. This is realized by a return spring within the drive mechanism. This type of switch requires the continuous application of operating voltage to select and hold any position. (Multi-position switches are normally open with no voltage applied).

Latching

A latching switch remains in the selected position whether or not voltage is maintained. This can be accomplished with either a magnetic or mechanical latching mechanism.

Indicator

Indicators tell the system which position the switch is in. Other names for indicators are telemetry contacts or tell back circuit. Indicators are usually a set of internally mounted DC contacts linked to the actuator. They can be wired to digital input lines, status lights, or interlocks. Unless otherwise specified, the maximum indicator contact rating is 30 Vdc, 50 mA, or 1.5 Watts into a resistive load.

Internal Termination

Unselected ports are internally terminated to a matched load. The load is 50Ω resistive device. The max RF power rating is 2 Watts CW. Without the internal termination option, the unselected ports are open circuits.

Isolation

Isolation is the measure of the power level at the output connector of an unconnected RF channel as referenced to the power at the input connector. It is specified in dB below the input power level.

Self-Cutoff

The self-cutoff option disables the actuator current on completion of actuation. Either a series contact (linked to the actuator) or an IC driver circuit provides the current cutoff. This option results in minimum power consumption by the RF switch. Cutthroat is another name used in the industry for this option. Pulse latching is a term used to describe a switch without this feature.

SPDT Switch

A single-pole-double-throw, has one input and two output ports.

Switching Time

Switching time is the total interval beginning with the arrival of the leading edge of the command pulse at the switch DC input and ending with the completion of the switch transfer, including contact bounce. It consists of three parts: (1) inductive delay in the coil, (2) transfer time of the physical movement of the contacts, and (3) the bounce time of the RF contacts.

TTL Switch Driver Option

As a special option, switch drivers can be provided for both fail-safe and latching switches, which are compatible with industry-standard low-power Schottky TTL circuits.

Performance Parameters vs Frequency

Generally speaking, the RF performance of coaxial switches is frequency dependent. With increasing frequency, VSWR and insertion loss increase while isolation decreases.

All data sheets specify these three parameters as “worst case” at the highest operating frequency. If the switch is to be used over a narrow frequency band, better performance can be achieved.

Actuator Current vs Temperature

The resistance of the actuator coil varies as a function of temperature. There is an inverse relationship between the operating temperature of the switch and the actuator drive current. For switches operating at 28 VDC, the approximate actuator drive current at temperature, T, can be calculated using the equation:

$$I_T = \frac{I_A}{[1 + .00385 (T-20)]}$$

Where:

I_T = Actuator current at temperature, T

I_A = Room temperature actuator current – see data sheet

T = Temperature of interest in °C

Magnetic Sensitivity

An electromechanical switch can be sensitive to ferrous materials and external magnetic fields. Neighboring ferrous materials should be permitted no closer than 0.5 inches and adjacent external magnetic fields should be limited to a flux density of less than 5 Gauss.