



ESTABLISHED RELIABILITY MILITARY TO-5 RELAYS SENSITIVE SPDT



SERIES	RELAY TYPE
431	SPDT basic relay
431D	SPDT relay with internal diode for coil transient suppression
431DD	SPDT relay with polarity reversal protection and coil transient suppression diode
431T	SPDT relay with internal transistor driver and coil transient suppression diode

DESCRIPTION

The TO-5 relay, originally conceived and developed by Teledyne, has become one of the industry standards for low-level switching from dry circuit to 1 ampere. Designed specifically for high-density PC board mounting, its small size and low coil power dissipation make the 431 relay one of the most versatile ultraminiature relays available.

The following unique construction features and manufacturing techniques provide excellent resistance to environmental extremes and overall high reliability.

The 431 feature:

- All welded construction.
- Unique uni-frame design, providing high magnetic efficiency and mechanical rigidity.
- High force/mass ratios for resistance to shock and vibration.
- Advanced cleaning techniques provide maximum assurance of internal cleanliness.
- Precious metal alloy contact material with gold plating assures excellent high current and dry circuit switching capabilities.

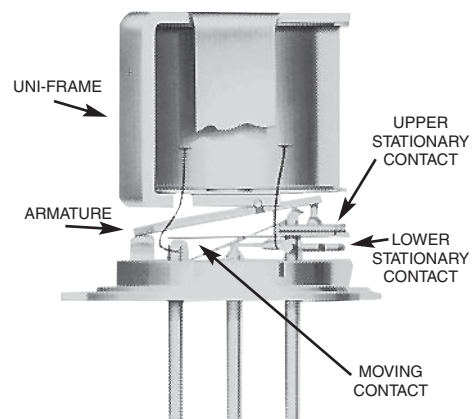
The Series 431D and 431DD relays have internal discrete silicon diodes for coil suppression and polarity reversal protection. The hybrid 431T relay features an internal silicon suppression diode and transistor driver. This hybrid package reduces required PC board floor space by reducing the number of external components needed to drive the relay.

By virtue of its inherently low intercontact capacitance and contact circuit losses, the 431 relay has proven to be an excellent ultraminiature RF switch for frequency ranges well into the UHF spectrum. A typical RF application for the TO-5 relay is in handheld radio transceivers, wherein the combined features of good RF performance, small size, low coil power dissipation and high reliability make it a preferred method of T-R switching

ENVIRONMENTAL AND PHYSICAL SPECIFICATIONS

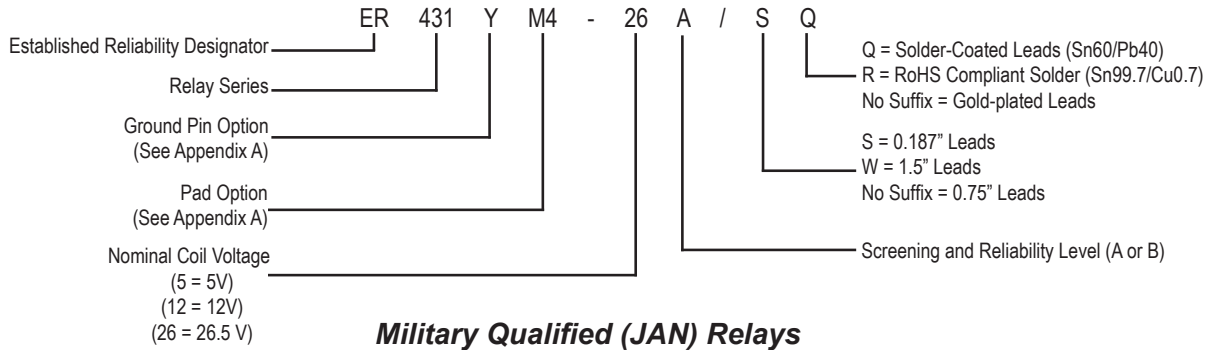
Temperature (Ambient)	-65°C to +125°C
Vibration (Note 1)	30 g's to 500 Hz
Shock (Note 1)	75 g's, 6ms half sine
Acceleration	50 g's
Enclosure	Hermetically sealed
Weight	0.109 oz. (3.09g) max.
Reflow Temperature	260°C max. temp. 1 min. max

INTERNAL CONSTRUCTION

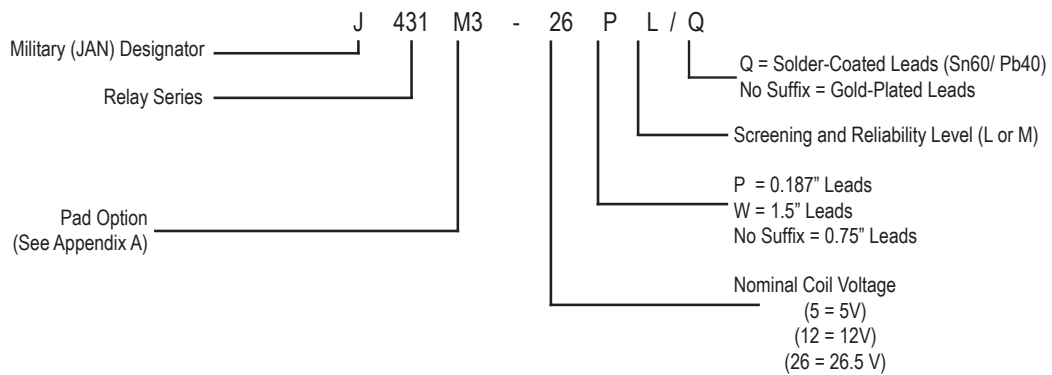


PART NUMBERING SYSTEM (5 & 6)

T²R Established Reliability Relays



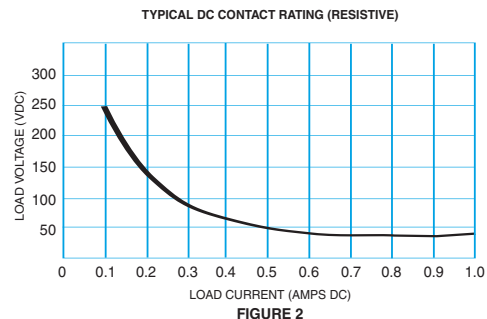
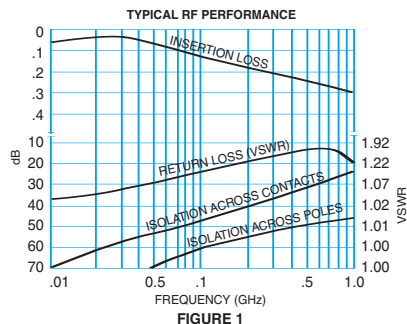
Military Qualified (JAN) Relays



GENERAL ELECTRICAL SPECIFICATIONS (-65 °C to 125 °C unless otherwise noted. See notes 2 & 3.)

Contact Arrangement		1 Form C (SPDT)
Rated Duty		Continuous
Contact Resistance		0.1 Ω max.; 0.2 Ω max. afterlife at A / 28 Vdc
Contact Load Rating (DC)		Resistive: 1 A / 28 Vdc Inductive: 200 mA / 28 Vdc (320mH) Lamp: 100 mA / 28 Vdc (320mH) Low level: 10 to 50 μA @ 10 to 50 mV
Contact Load Rating (AC)		Resistive: 250 mA / 115Vac, 60 and 400 Hz (Case not grounded) 100 mA / 115 Vac, 60 and 400 Hz (Case grounded)
Contact Life Ratings		10,000,000 cycles (typical) at low level 1,000,000 cycles (typical) at 0.5 A / 28 Vdc resistive 100,000 cycles min. at all other loads specified above
Contact Overload Rating		2 A / 28 Vdc Resistive (100 cycles min.)
Coil Operating Power		150 mW typical at nominal rated voltage
Contact Carry Rating		Contact Factory
Operate Time	431 431D 431DD	4.0 ms max.
	431T	3.5 ms max.
Release Time	431	2.5 ms max.
	431D 431DD 431T	7.5 ms max.
Contact Bounce		1.5 ms max.
Intercontact Capacitance		0.4 pf typical
Insulation Resistance		10,000 MΩ min. between mutually isolated terminals
Dielectric Strength (V _{rms} /60 Hz)		Atmospheric pressure : 500 70,000 ft : 125
Negative Coil Transient (Vdc)	431D 431DD 431T	1.0 max.
Diode P.I.V (Vdc)	431D 431DD 431T	100 min.
431 Transistor Characteristics	Base Turn Off Voltage (Vdc)	0.3 min
	Emitter-Base breakdown Voltage (BV _{EBO}) (Vdc)	6.0 min
	Collector-Base breakdown Voltage (BV _{CBO}) (Vdc) (Ic = 100μA)	75 min

PERFORMANCE CURVES (Note 2)



SERIES 431

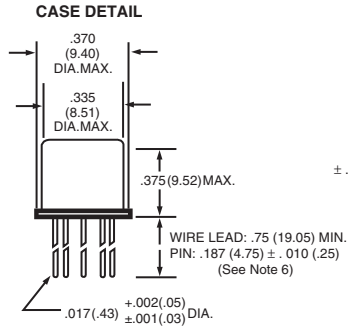
DETAILED ELECTRICAL SPECIFICATIONS (-65 °C to 125 °C unless otherwise noted. See note 3.)

BASE PART NUMBERS (431, 431D, 431DD)		431-5 431D-5 431DD-5 431T-5	431-12 431D-12 431DD-12 431T-12	431-26 431D-26 431DD-26 431T-26
Coil Voltage	Nom.	5.0	12.0	26.5
	Max.	8.0	22.0	45.0
Coil Resistance (Ohms ±10%)	431 431D 431T	125	1025	4000
	431DD (Note 4)	100	1025	4000
Coil Current	431DD	Min	36.3	9.7
		Max	47.8	13.6
Pick-Up Voltage (V _{dc} , max.)	431 431D	3.7	9.0	18.0
	431DD	4.5	10.0	19.0
	431T	3.6	10.0	19.0
Drop-Out Voltage	Min.	0.15	0.4	0.89
	Max.	2.4	5.6	10.4
Turn On Base Current (mA _{dc} , Max.) (Note 7)	431T	2.38	0.8	0.40

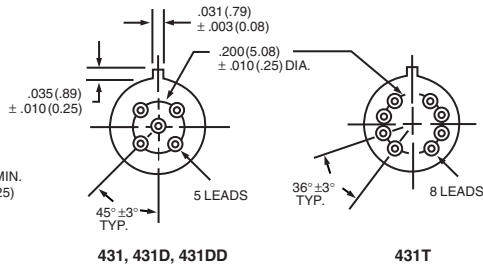
NOTES:

- Relay contacts will exhibit no chatter in excess of 10 µsec or transfer in excess of 1 µsec.
- "Typical" characteristics are based on available data and are best estimates. No on-going verification tests are performed.
- Unless otherwise specified, parameters are initial values.
- Reference only for 431DD and 431T. Coil resistance not directly measurable at relay terminals due to internal series semiconductor.
- Unless otherwise specified, relays will be supplied with gold-plated leads.
- The slash and characters appearing after the slash are not marked on the relay.
- Limit Base Emitter current to 15 mA_{dc} max.

OUTLINE DIMENSIONS

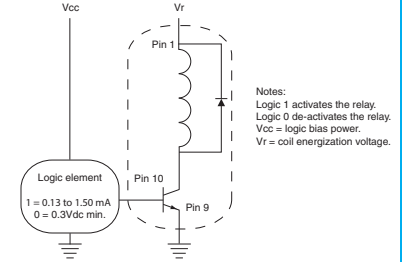


Dimensions: in. (mm)

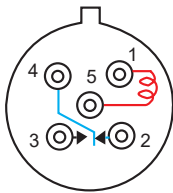


(Viewed From Terminals)

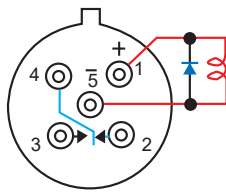
TYPICAL LOGIC INTERFACE
(See Note 7)



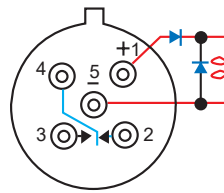
SCHEMATIC DIAGRAMS



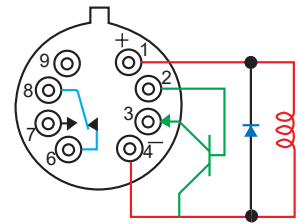
431



431D

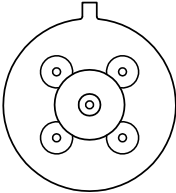
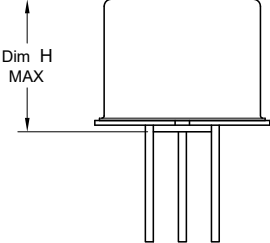


431DD



431T

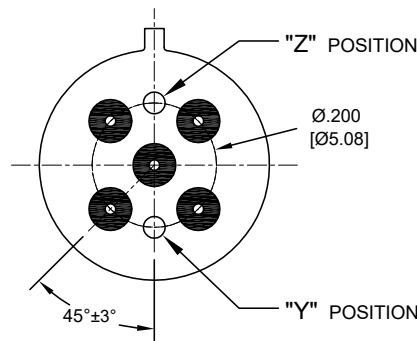
APPENDIX A : Spacer Pads

Pad designation and bottom view dimensions	Height	For use with the following:	Dim. H Max.
		ER431, J431	.400 (10.16)

Notes:

1. Spacer pad material: Polyester film.
2. To specify an "M4" spacer pad, refer to the mounting variants portion of the part numbering example in the applicable datasheet.
3. Dimensions are in inches (mm).
4. Unless otherwise specified, tolerance is $\pm .010$ " (.25 mm).
5. Add 10 mΩ to the contact resistance shown in the datasheet.
6. Add 0.01 oz. (0.25 g) to the weight of the relay assembly shown in the datasheet.

APPENDIX: Ground Pin Positions



- Indicates ground pin position
- Indicates glass insulated lead position
- ◎ Indicates ground pin or lead position depending on relay type

NOTES

1. Terminal views shown
2. Dimensions are in inches (mm)
3. Tolerances: $\pm .010$ ($\pm .25$) unless otherwise specified
4. Ground pin positions are within .015 (0.38) dia. of true position
5. Ground pin head dia., 0.035 (0.89) ref: height 0.010 (0.25) ref.
6. Lead dia. 0.017 (0.43) nom.