

Description

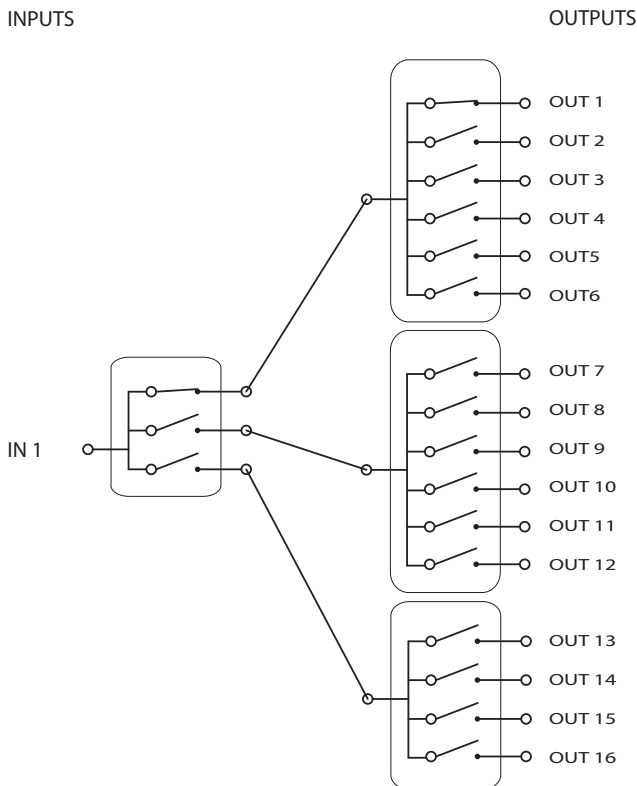
This matrix system consists of a 1x16 switching system in a 4U standard 19" chassis. This switching system has an operating frequency range of 2-4GHz (S-Band). The output ports are internally terminated to 50Ω, controlled via Ethernet and feature 7-segment displays which let the user know which output is currently active. There is also a local control keypad that allows users to manually command the switching system.

This matrix consist of (1) SP3T switch, (1) SP4T and (2) SP6T switches.

- Local control Via Keypad
- TCP/IP Remote Control
- Internal 50Ω termination
- SMA Connectors
- 90-260 Vac, 47-63Hz Power

Switch Function	RF Characteristics	
Normally Open	Frequency Range	2-4GHz (S-Band)
Switching Type	Insertion Loss	0.7dB Typical (0.8dB max)
Electromechanical	VSWR	1.15:1 (max)
Temperature	Isolation	60dB (min)
Storage: -40°C to +65°C Operating: -55°C to +85°C	Mechanical Information	
	Power Handling	1W Continuous
	Line Power	Universal 90-260 VAC, 47-63Hz
	Size (WxHxD)	19" Wide, 4U High, 20" Depth
	Typical Cycle Life	1M cycles per RF port

MATRIX SCHEMATIC



FRONT VIEW



REAR VIEW