

CENTIGRID® ESTABLISHED RELIABILITY MILITARY SENSITIVE DPDT



SERIES	RELAY TYPE
134	DPDT, sensitive non-latching relay
134D	DPDT, sensitive non-latching relay with internal diode for coil transient suppression
134DD	DPDT, sensitive non-latching relay with internal diodes for coil transient suppression and polarity reversal protection

DESCRIPTION

The 134 sensitive Centigrid® relay retains the same features as the 114 standard Centigrid® relay with only a minimal increase in profile height (.375 in.). Its .100-inch grid spaced terminals, which preclude the need for spreader pads, and its low profile make the 134 relay ideal for applications where high packaging density is important.

The following unique construction features and manufacturing techniques provide excellent resistance to environmental extremes and overall high reliability:

The 134 feature:

- All welded construction.
- Advanced cleaning techniques provide maximum assurance of internal cleanliness.
- Unique uni-frame design providing high magnetic efficiency and mechanical rigidity.
- High force/mass ratios for resistance to shock and vibration.
- Precious metal alloy contact material with gold plating assures excellent high current and dry circuit switching capabilities.

The Series 134D and 134DD have internal discrete silicon diodes for coil suppression and polarity reversal protection.

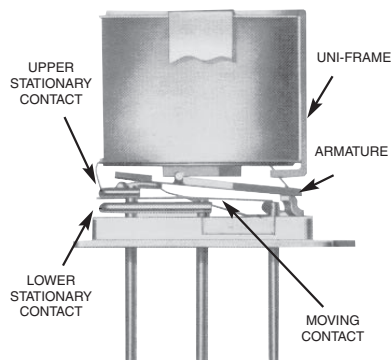
The sensitive 134 Centigrid® relay has a high resistance coil, thus requiring extremely low operating power (200 mW typical). The advantages of reduced heat dissipation and power supply demands are a plus.

By virtue of its inherently low intercontact capacitance and contact circuit losses, the 134 relay has proven to be an excellent ultraminiature RF switch for frequency ranges well into the UHF spectrum. A typical RF application for the Centigrid® relay is in handheld radio transceivers, wherein the combined features of good RF performance, small size, low coil power dissipation and high reliability make it a preferred method of Transmit-Receive switching

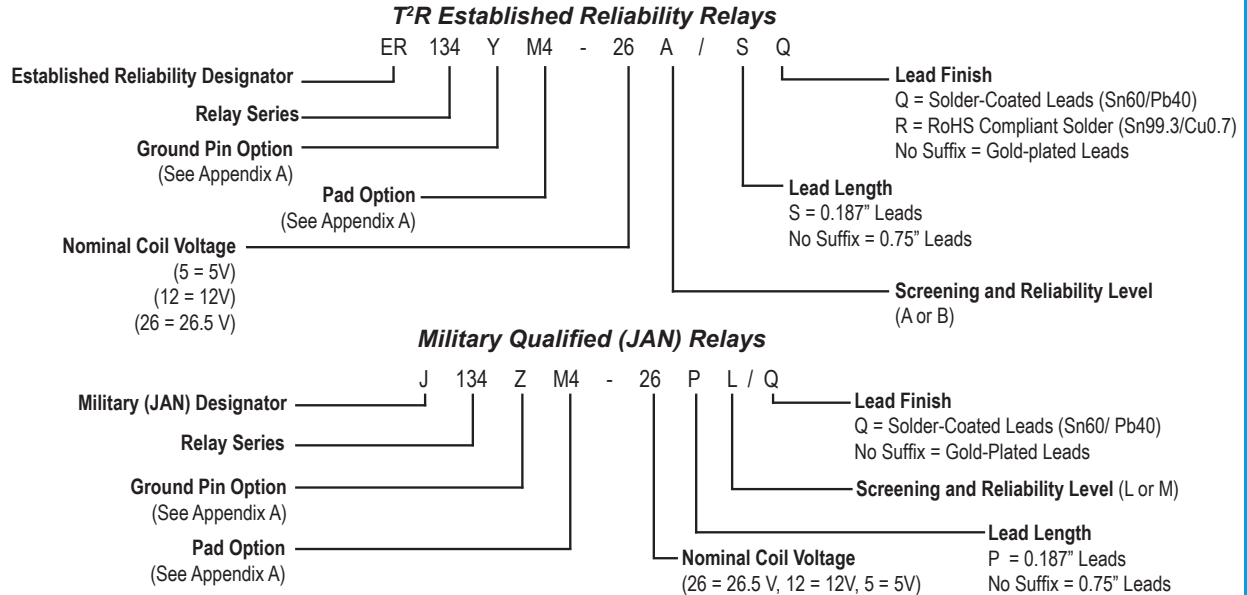
ENVIRONMENTAL AND PHYSICAL SPECIFICATIONS

Temperature (Ambient)	-65°C to +125°C
Vibration (Note 1)	30 g's to 3000 Hz
Shock (Note 1)	50 g's, 6ms half sine
Acceleration	50 g's
Enclosure	Hermetically sealed
Weight	0.15 oz. (4.3g) max.
Reflow Temperature	260°C max. temp. 1 min. max

INTERNAL CONSTRUCTION



Part Numbering System (Note 5 & 6)



GENERAL ELECTRICAL SPECIFICATIONS (-65 °C to 125 °C unless otherwise noted. See notes 2 & 3.)

Contact Arrangement	2 Form C (DPDT)	
Rated Duty	Continuous	
Contact Resistance	0.10 Ω max.	
Contact Load Rating (DC)	Resistive: 1 A / 28 V _{dc} Inductive: 200 mA / 28 V _{dc} (320mH) Lamp: 100 mA / 28 V _{dc} (320mH) Low level: 10 to 50 μA @ 10 to 50 mV	
Contact Load Rating (AC)	Resistive: 250 mA / 115V _{ac} , 60 and 400 Hz (Case not grounded) 100 mA / 115 V _{ac} , 60 and 400 Hz (Case grounded)	
Contact Life Ratings	10,000,000 cycles (typical) at low level 1,000,000 cycles (typical) at 0.5 A / 28 V _{dc} resistive 100,000 cycles min. at all other loads specified above	
Contact Overload Rating	2 A / 28 V _{dc} Resistive (100 cycles min.)	
Coil Operating Power	200 mW typical at nominal rated voltage	
Contact Carry Rating	Contact Factory	
Operate Time	4.0 ms max. @ nominal rated coil voltage	
Release Time	134	2.0 ms max.
	134D 134DD	7.5 ms max.
Contact Bounce	1.5 ms max.	
Intercontact Capacitance	0.4 pf typical	
Insulation Resistance	10,000 MΩ min. between mutually isolated terminals	
Dielectric Strength (V_{rms}/60 Hz)	Atmospheric pressure: 500	70,000 ft: 125
Negative Coil Transient (V_{dc})	134D 134DD	1.0 V _{dc} Max.
Diode P.I.V. (V_{dc})	134D 134DD	100 V _{dc} Min.

DETAILED ELECTRICAL SPECIFICATIONS (-65 °C to 125 °C unless otherwise noted. See note 3.)

BASE PART NUMBERS (134, 134D, 134DD)		134-5 134D-5 134DD-5	134-12 134D-12 134DD-12	134-26 134D-26 134DD-26
Coil Voltage	Nom.	5.0	12.0	26.5
	Max.	7.5	20.0	40.0
Coil Resistance (Ohms ±10% @25°C)	134, 134D	100	800	3200
	134D (Note 4)	64	800	3200
Coil Current (134DD) (mA _{dc} @25°C)	Min.	56.8	12.5	7.2
	Max.	78.1	16.0	9.0
Pick-up Voltage (V _{dc} , Max)	134 134D	3.5	9.0	18.0
	134DD	3.7	11.0	19.0
Drop-out Voltage (V _{dc})	134, 134D	Min.	0.12	0.41
		Max.	2.5	6.5
	134DD	Min.	0.7	1.0
		Max.	2.6	5.8

PERFORMANCE CURVES (Note 2)

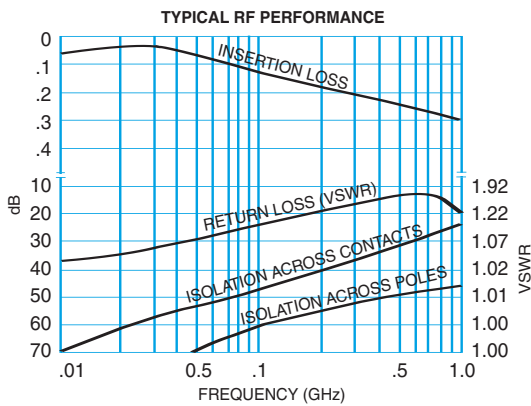


FIGURE 1

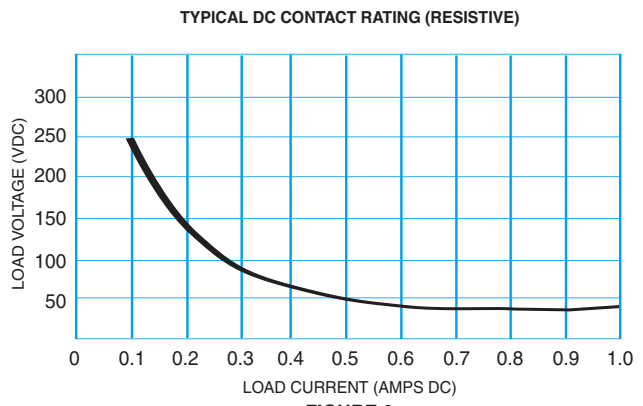
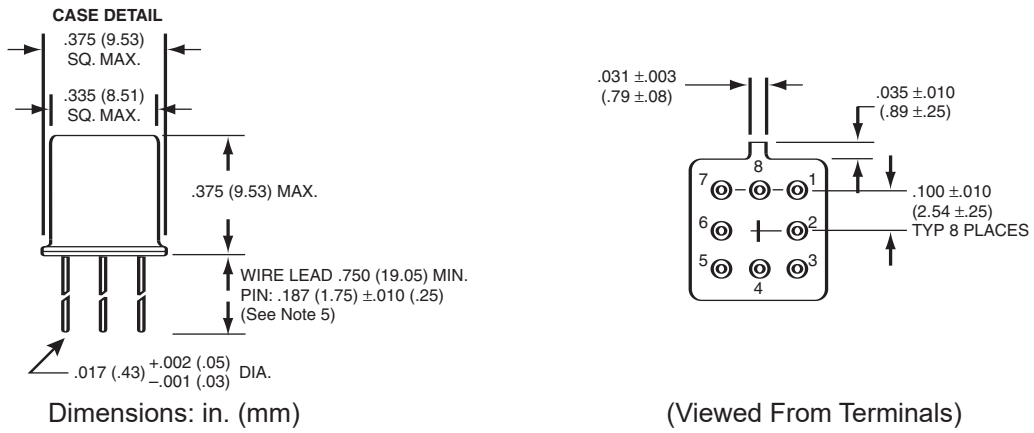


FIGURE 2

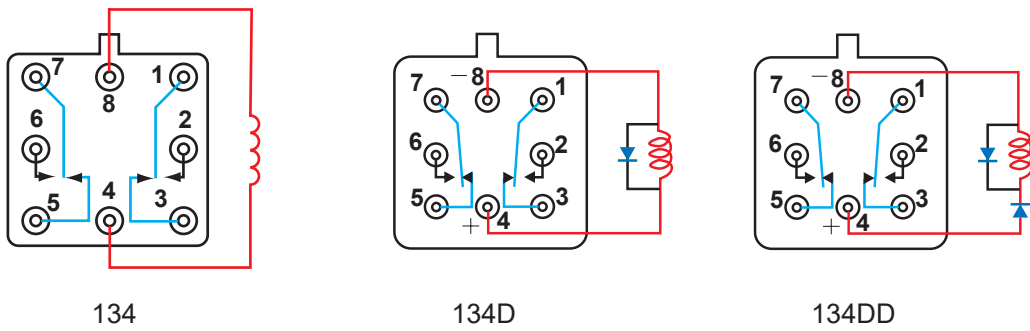
NOTES:

1. Relay contacts will exhibit no chatter in excess of 10 μ s or transfer in excess of 1 μ s.
2. "Typical" characteristics are based on available data and are best estimates. No on-going verification tests are performed.
3. Unless otherwise specified, parameters are initial values.
4. For reference only. Coil resistance not directly measurable at relay terminals due to internal series semiconductor, 134DD only
5. Unless otherwise specified, relays will be supplied with gold-plated leads.
6. The slash and characters appearing after the slash are not marked on the relay.

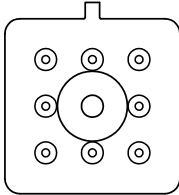
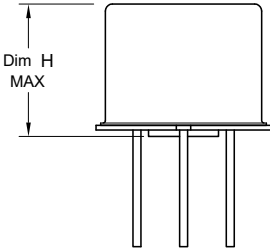
OUTLINE DIMENSIONS



SCHEMATIC DIAGRAMS



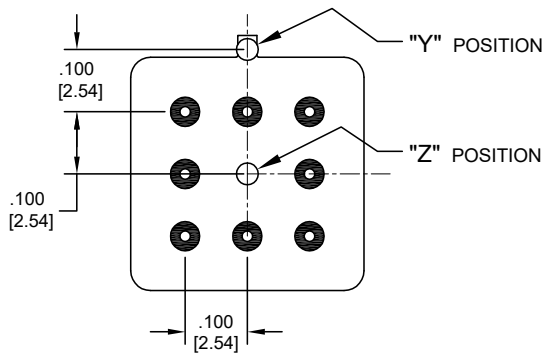
APPENDIX A : Spacer Pads

Pad designation and bottom view dimensions	Height	For use with the following:	Dim. H Max.
 <p>"M4" Spacer Pad for Centigrad®</p>		172	.305 (7.75)
		ER114, J114	.300 (7.62)
		ER134, J134	.400 (10.16)
		RF100	.315 (8.00)
		RF103	.420 (10.67)

Notes:

1. Spacer pad material: Polyester film.
2. To specify a "M4" spacer pad, refer to the mounting variants portion of the part numbering example in the applicable datasheet.
3. Dimensions are in inches (mm).
4. Unless otherwise specified, tolerance is $\pm .010$ " (.25 mm).
5. Add 10 m Ω to the contact resistance shown in the datasheet.
6. Add 0.01 oz. (0.25 g) to the weight of the relay assembly shown in the datasheet.

APPENDIX A : Ground Pin Positions



Centigrad® Relays:
RF100, RF103, ER114, ER134, 172

- Indicates ground pin position
- Indicates glass insulated lead position
- ⊙ Indicates ground pin or lead position depending on relay type

NOTES

1. Terminal views shown
2. Dimensions are in inches (mm)
3. Tolerances: $\pm .010$ ($\pm .25$) unless otherwise specified
4. Ground pin positions are within .015 (0.38) dia. of true position
5. Ground pin head dia., 0.035 (0.89) ref: height 0.010 (0.25) ref.
6. Lead dia. 0.017 (0.43) nom.