



Universal Handheld Controller (RCH-1000)

Teledyne Paradise Datacom's Universal Handheld Controller (RCH-1000) is a versatile device used to interface with a variety of Teledyne Paradise Datacom amplifiers, including Compact Outdoor SSPA, Mini Compact Outdoor SSPA, or H-Series High Power Outdoor SSPA (S/N \geq 400,000).

The device enclosure features a seal which provides an ingress protection level of IP65. This allows the controller to be used in most outdoor environments. The enclosure's rugged construction provides some protection from impact and vibration.

When connected to an amplifier, this device allows the operator to adjust the attenuation of the connected unit, control the mute/unmute selection, and monitor the status, conditions and settings of the connected unit via a serial RS-485 connection. Faults and other events are tracked in the controller's 41-line log.

The front panel of the controller features six light emitting diodes, eight keys and a 2.5 in. x 1.3 in. OLED display.

A Quick Start cable is provided with each Universal Handheld Controller. This cable must be ordered based on the type of unit to which the controller will be connected. A controller will operate with any type of compatible unit as long as the proper cable is used.

SPECIFICATIONS

Used with:

Compact Outdoor SSPA
 Mini Compact Outdoor SSPA
 High Power Outdoor SSPA

Ingress Protection Rating:

IP65

Material:

ABS Plastic

Connector type:

Push-to-lock Molex Ultralock
 M12 (M)

Mating connector:

Molex Ultralock M12 (F)

Dimensions:

Width: 6.85" (173.98 mm)
 Height: 3.23" (82.05 mm)
 Depth: 1.593" (49.46 mm)

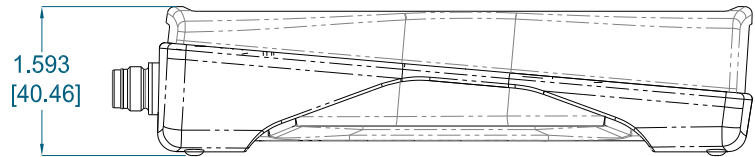
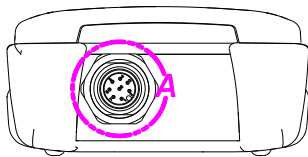
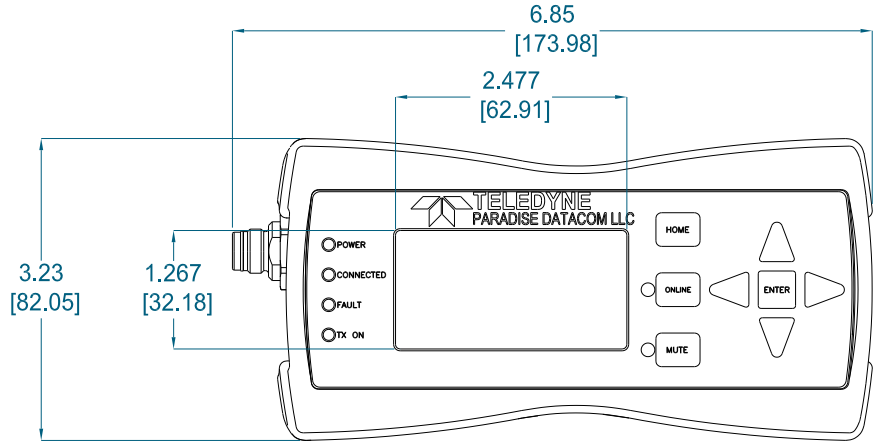
Weight:

< 8 oz. (< 0.23 kg)

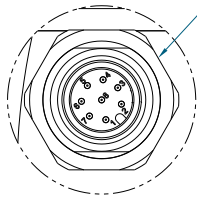
Outline Drawing, Universal Handheld Controller

Pin-Out, Molex UltraLock M12(M)

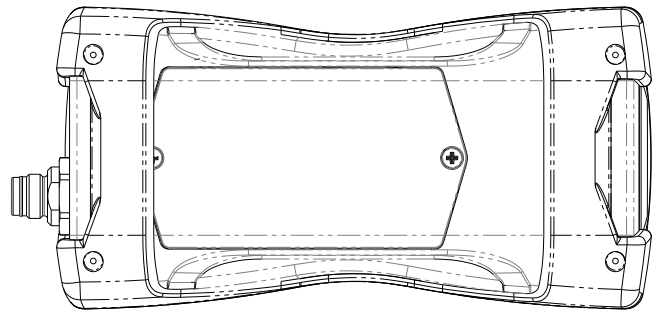
| Pin | Description |
|-----|----------------------|
| 1 | RS-485 - |
| 2 | RS-485 + |
| 3 | +6 to +30 VDC Input |
| 4 | +4 to +5.5 VDC Input |
| 5,6 | GND |
| 7,8 | No connection |



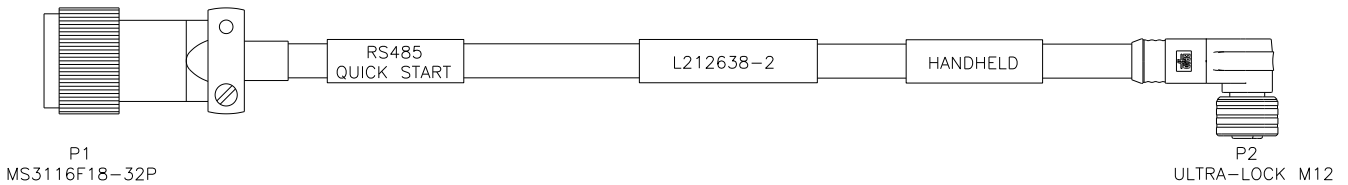
**DETAIL A
 SCALE 2 : 1**



MOLEX ULTRALOCK
 M12(M) CONNECTOR
 M12(F) MATING CABLE
 SOLD SEPARATELY



Quick Start Cable (L212638-2) for Mini and Standard Compact Outdoor SSPAs



Use and Disclosure of Data: This product is classified as EAR99 and is subject to U.S. Department of Commerce regulations. Export, reexport or diversion contrary to U.S. law is prohibited.

Proprietary and Confidential: The information contained in this document is the sole property of Teledyne Paradise Datacom. Any reproduction in part or as a whole without the written permission of Teledyne Paradise Datacom is prohibited.

Specifications are subject to change without notice.