



125W Ku-Band 3RU SSPA Chassis

Description

Teledyne Paradise Datacom's Indoor Rack Mount series of Solid State Power Amplifiers represent the latest in High Power Microwave Amplifier Technology. The SSPA chassis achieves the highest power density in the industry along with enhanced maintainability.

The power supply, fan trays and controller card connector plate are all removable for easy maintenance. At 24" deep, and only 3RU high, this chassis is perfect for SNG applications, or other configurations where rack space is at a premium.

The SSPA front panel features an easy-to-navigate display and menu structure. Dedicated LEDs are provided for at-a-glance alarm condition indication.

Teledyne Paradise Datacom rack mount power amplifiers have a wide range of monitor and control functionality, including:

- RS-232/RS-485 (4-wire) serial communication
- Ethernet port supporting UDP, SNMP and web browser-based control
- Form C contacts for output monitor ports and opto-isolated input ports
- Free Windows M&C software
- Variety of third party M&C drivers available

FEATURES

- Power Levels to:
300W C-Band;
200W X-Band;
150W Ku-Band
- Removable Fan Tray and M&C Card Assembly
- 1RU N+1 Redundant Power Supply
- Ethernet Port
- RF Output Sample Port
- 20 dB Gain Adjustment
- CE Compliant
- Built-in 1:1 Redundancy Control
- Built-in Maintenance Switch Controller

OPTIONS

- Remote Control Panel
- L-Band Input operation
- Reflected Power Monitor
- Input Sample Port
- Exhaust Duct Adapters
- Redundant Systems
- Phase Combined Systems

C-Band 3RU SSPA Chassis

PARAMETER	NOTES	LIMITS	UNITS
Frequency Range	Frequency Sub-Band "A" Frequency Sub-Band "B" Frequency Sub-Band "C" Frequency Sub-Band "E" Frequency Sub-Band "F" Frequency Sub-Band "G"	5.850 to 6.425 5.850 to 6.725 5.750 to 6.670 6.425 to 6.725 6.725 to 7.025 5.750 to 6.475	GHz GHz GHz GHz GHz GHz
Output Power @: Saturation/ P_{1dB} (Typical/Guaranteed minimum)	HPAC3050ARXXXXP HPAC3075ARXXXXP HPAC3100ARXXXXP HPAC3140ARXXXXP HPAC3200ARXXXXP HPAC3250ARXXXXP HPAC3300ARXXXXP	P_{sat} / P_{1dB} 47.0 (50) / 46.8 (48) 48.8 (76) / 48.5 (70) 50.0 (100) / 49.5 (89) 51.5 (141) / 51.0 (125) 53.0 (200) / 52.3 (170) 54.0 (250) / 53.0 (200) 54.7 (300) / 54.0 (250)	dBm (W) dBm (W) dBm (W) dBm (W) dBm (W) dBm (W) dBm (W)
Power Requirements Line Frequency Line Power (Voltage) (typical @ 220 VAC)	power factor corrected HPAC3050ARXXXXP HPAC3075ARXXXXP HPAC3100ARXXXXP HPAC3140ARXXXXP HPAC3200ARXXXXP HPAC3250ARXXXXP HPAC3300ARXXXXP	47 to 63 400 (90 to 265) 450 (90 to 265) 650 (90 to 265) 850 (90 to 265) 1000 (90 to 265) 1300 (90 to 265) 1700 (90 to 265)	Hz W (VAC) W (VAC) W (VAC) W (VAC) W (VAC) W (VAC) W (VAC)

Frequency Band De-rating

Frequency Sub-Band "B" Frequency Sub-Band "C"	De-rate output power by 1.0 dB linearly from 6.425 to 6.725 GHz De-rate output power by 1.0 dB linearly from 6.425 to 6.67 GHz and by 0.5 dB linearly from 5.85 to 5.75 GHz
--	--

X-Band 3RU SSPA Chassis

PARAMETER	NOTES	LIMITS	UNITS
Frequency Range	Frequency Sub-Band "A" Frequency Sub-Band "B" Frequency Sub-Band "C" Frequency Sub-Band "D"	7.90 to 8.40 7.70 to 8.40 7.10 to 7.40 7.70 to 8.40	GHz GHz GHz GHz
Output Power @: Saturation/ P_{1dB} (Typical/Guaranteed minimum)	HPAX3060ARXXXXP HPAX3075ARXXXXP HPAX3100ARXXXXP HPAX3140ARXXXXP HPAX3200ARXXXXP	P_{sat} / P_{1dB} 47.5 (60) / 47.3 (54) 48.8 (76) / 48.3 (68) 50.0 (100) / 49.5 (89) 51.4 (140) / 50.8 (120) 53.0 (200) / 51.8 (151)	dBm (W) dBm (W) dBm (W) dBm (W) dBm (W)
Power Requirements Line Frequency Line Power (Voltage) (typical @ 220 VAC)	power factor corrected HPAX3060ARXXXXP HPAX3075ARXXXXP HPAX3100ARXXXXP HPAX3140ARXXXXP HPAX3200ARXXXXP	47 to 63 650 (90 to 265) 700 (90 to 265) 750 (90 to 265) 1225 (90 to 265) 1370 (90 to 265)	Hz W (VAC) W (VAC) W (VAC) W (VAC) W (VAC)

Frequency Band De-rating

Frequency Sub-Band "D"	De-rate output power by 1.0 dB linearly from 7.90 to 7.70 GHz
------------------------	---

Indoor Rack Mount GaAs Solid State Power Amplifier 3RU Rack Height

Ku-Band 3RU SSPA Chassis

PARAMETER	NOTES	LIMITS	UNITS
Frequency Range	Frequency Sub-Band "A" Frequency Sub-Band "B"	14.00 to 14.50 13.75 to 14.50	GHz GHz
Output Power @: Saturation/ P_{1dB} (Typical/Guaranteed minimum)	HPAK3025ARXXXXP HPAK3035ARXXXXP HPAK3040ARXXXXP HPAK3050ARXXXXP HPAK3070ARXXXXP HPAK3100ARXXXXP HPAK3125ARXXXXP	P_{sat} / P_{1dB} 44.0 (25) / 43.0 (20) 45.5 (35) / 44.5 (28) 46.0 (40) / 45.0 (31) 47.0 (50) / 46.0 (40) 48.5 (70) / 47.5 (56) 50.0 (100) / 49.0 (80) 51.0 (125) / 50.0 (100)	dBm (W) dBm (W) dBm (W) dBm (W) dBm (W) dBm (W) dBm (W)
Power Requirements Line Frequency Line Power (Voltage) (typical @ 220 VAC)	power factor corrected HPAK3025ARXXXXP HPAK3035ARXXXXP HPAK3040ARXXXXP HPAK3050ARXXXXP HPAK3070ARXXXXP HPAK3100ARXXXXP HPAK3125ARXXXXP	47 to 63 320 (90 to 265) 350 (90 to 265) 500 (90 to 265) 500 (90 to 265) 650 (90 to 265) 1100 (90 to 265) 1200 (90 to 265)	Hz W (VAC) W (VAC) W (VAC) W (VAC) W (VAC) W (VAC) W (VAC)

Frequency Band De-rating

Frequency Sub-Band "B"	De-rate output power by 1.0 dB linearly from 14.00 to 13.75 GHz
------------------------	---

Common Electrical Specifications, 3RU SSPA Chassis

PARAMETER	NOTES	LIMITS	UNITS
Gain	Adjustable range	55-75	dB
Gain Flatness	full band (All except Extended C-Band)	± 1.0	dB
	Extended C-Band units	± 1.5	dB
Gain Slope	per 40 MHz	± 0.3	dB/40 MHz
Gain Variation vs. Temperature	0°C to +50°C	± 1.0	dB
Gain Stability	at constant temperature	± 0.25	dB/24 hours
Gain Adjustment Resolution	in 0.1 dB steps	20	dB
Intermodulation Distortion	3 dB back off relative to P _{1dB}	-25	dBc
AM/PM Conversion	(@ rated P _{1dB})	3.5	°/dB
	(@P _{1dB} - 3 dB)	1.0	°/dB
Spurious Harmonics	(@ rated P _{1dB})	-65	dBc
	(@ rated P _{1dB} - 3 dB)	-50	dBc
Input/Output VSWR	Extended C-Band	1.30:1	
	Output VSWR: Ku-Band with bulkhead filter	1.50:1	
		1.40:1	
Noise Figure	at maximum gain	12	dB
Group Delay	Linear	0.01	ns/MHz
	Parabolic	0.003	ns/MHz ²
	Ripple	1.0	ns p-p
Noise Output	TX Band	-75	dBW/4 KHz
	RX Band (C- or Ku-Band)	-150	dBW/4 KHz
	RX Band (X-Band)	-100	dBW/4 KHz
Residual AM Noise	0 - 10 KHz	-45	dBc
	10 KHz - 500 KHz	-20 (1.25 + log F)	dBc
	500 KHz - 1 MHz	-80	dBc
Residual Phase Noise	Offset frequency from carrier		
	10 Hz	-90	dBc/Hz
	100 Hz	-100	dBc/Hz
	1 KHz	-110	dBc/Hz
	10 KHz	-120	dBc/Hz
	100 KHz	-125	dBc/Hz
	1 MHz	-130	dBc/Hz

Mechanical

Size (SSPA)	width X height X depth	19.0 X 5.22 X 24.13 483 X 133 X 613	inches mm
Size (Power Supply)	width X height X depth	19.0 X 1.75 X 15.97 483 X 45 X 406	inches mm
Weight (SSPA)	Typical (± 3 %) With integrated BUC converter	75 (34) + 1.7 (+ 0.8)	lbs. (kg) lbs. (kg)
Weight (Power Supply)	With four (4) power supply modules	29 (13.2)	lbs. (kg)
Finish		powder coat	Gray
Connectors	RF Input RF Output (S-Band) RF Output (C-Band) RF Output (X-Band) RF Output (Ku-Band) RF Output Sample	Type N Type N WR137 Waveguide WR112 Waveguide WR75 Waveguide Type N	Female Female CPR137G Flange (PDR-70) CPR112G Flange (PDR-84) Grooved flange (PBR-120) Female

Environmental

Operating Temperature	Ambient	0 to +50	°C
Relative Humidity	non-condensing	95	%
Cooling System	Forced Convection Air Cooling	Front Panel - Intake Rear Panel - Exhaust	

Specifications are subject to change.

L-Band Operation

Teledyne Paradise Datacom amplifiers are available with an integrated L-Band Block Up Converter. L-Band units utilize Teledyne Paradise Datacom's proprietary zBUC technology. The addition of a zBUC® converter to the SSPA typically increases the gain by 2-4 dB. The advantages of zBUC technology include:

- zBUC converter can detect and switch to an externally supplied reference.
- Optional internal high stability (10MHz) reference.
- zBUC converter can lock to an externally supplied reference of 10 or 50 MHz.
- zBUC converter can accept a wide range of external reference power (-10 to +5 dBm).

Available Frequency Plans

Band	Model Number*	IF Input	LO Frequency	RF Output
C	Sub-Band "A"	950 - 1525 MHz	4.900 GHz	5.850 - 6.425 GHz
C	Sub-Band "B"	950 - 1825 MHz	4.900 GHz	5.850 - 6.725 GHz
C	Sub-Band "C"	950 - 1870 MHz	4.800 GHz	5.750 - 6.670 GHz
C	Sub-Band "E"	950 - 1250 MHz	5.475 GHz	6.425 - 6.725 GHz
C	Sub-Band "F"	950 - 1250 MHz	5.775 GHz	6.725 - 7.025 GHz
C	Sub-Band "G"	950 - 1675 MHz	4.800 GHz	5.750 - 6.475 GHz
X	Sub-Band "A"	950 - 1450 MHz	6.950 GHz	7.900 - 8.400 GHz
Ku	Sub-Band "A"	950 - 1450 MHz	13.050 GHz	14.00 - 14.50 GHz
Ku	Sub-Band "B"	950 - 1700 MHz	12.800 GHz	13.75 - 14.50 GHz

Electrical Specifications for 3RU RM SSPA with ZBUC converter

PARAMETER	NOTES	LIMITS				UNITS
Gain	Nominal setting	75				dB
Gain Flatness	full band (C-,X-,Ku-bands)	± 2.0				dB
Gain Slope	per 40 MHz (C-,X-,Ku-bands)	± 0.5				dB/40 MHz
Gain Adjusted Range	Typical C-Band Adj. Range	20				dB
	Typical Ku-Band Adj. Range	60 - 80				dB
Gain Stability	-40 to +60 °C	57 - 77				dB
		± 1.5				dB
Phase Noise	Offset frequency from carrier	<u>Absolute max.</u>	<u>C-band (typ.)</u>	<u>X-band (typ.)</u>	<u>Ku-band (typ.)</u>	
	10 Hz	-30	-60	-58	-56	dBc/Hz
	100 Hz	-60	-74	-70	-67	dBc/Hz
	1 KHz	-70	-84	-80	-78	dBc/Hz
	10 KHz	-80	-100	-94	-91	dBc/Hz
	100 KHz	-90	-105	-97	-94	dBc/Hz
	1 MHz	-90	-125	-122	-120	dBc/Hz
Spurious	In-Band Signal Related (C-/Ku-Band) (Extended C-Band)	-50				dBc
	Close to Carrier Spurious (≤ 20 MHz)	-40				dBc
	Local Oscillator	-50				dBc
		-30				dBm
Noise Figure	At Maximum gain	20				dB
Transmit Band Noise	Tx Band at Maximum gain	-65				dBW/4kHz
Output Power Density						
Input VSWR	L-Band	1.5 : 1				
Internal Reference Option	Reference Accuracy (initial)	± 1 • 10 ⁻⁸				
	Aging per day (after 30 days)	± 1 • 10 ⁻⁹				
	Aging per year (after 30 days)	± 6 • 10 ⁻⁸				
	Reference Stability over Temperature (-40 to +40 °C, ambient)	± 1 • 10 ⁻⁸				

Redundant Power Supply

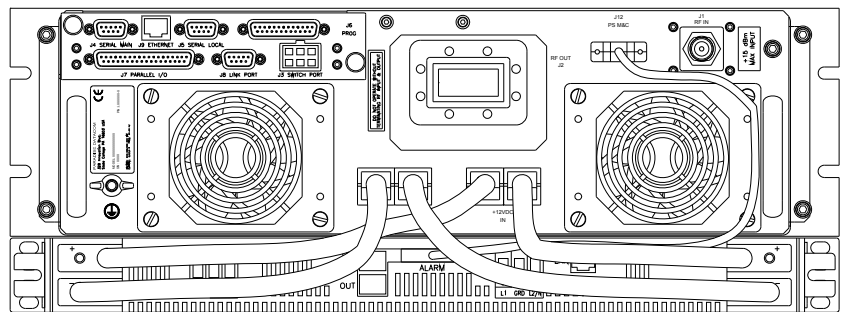


The combination of a separate +12 VDC output, fully redundant power supply is an excellent means of obtaining the ultimate system reliability.

The power supply is an N+1 redundant configuration meaning that there is one more power supply module available than is required to operate the SSPA. A failure of one power supply module will not take the amplifier off-the-air.

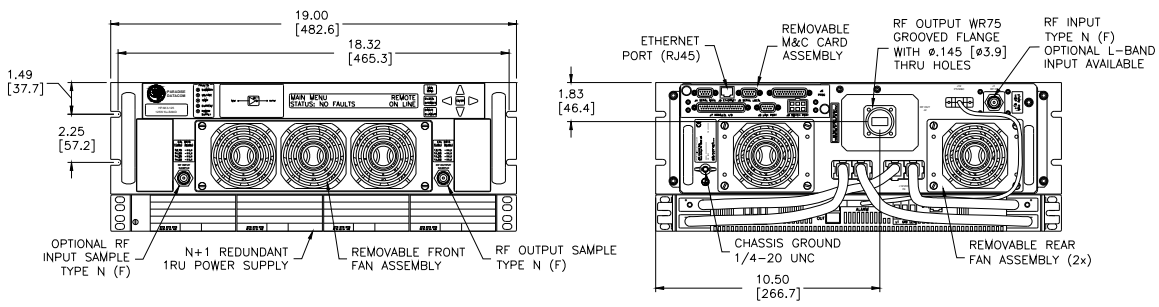
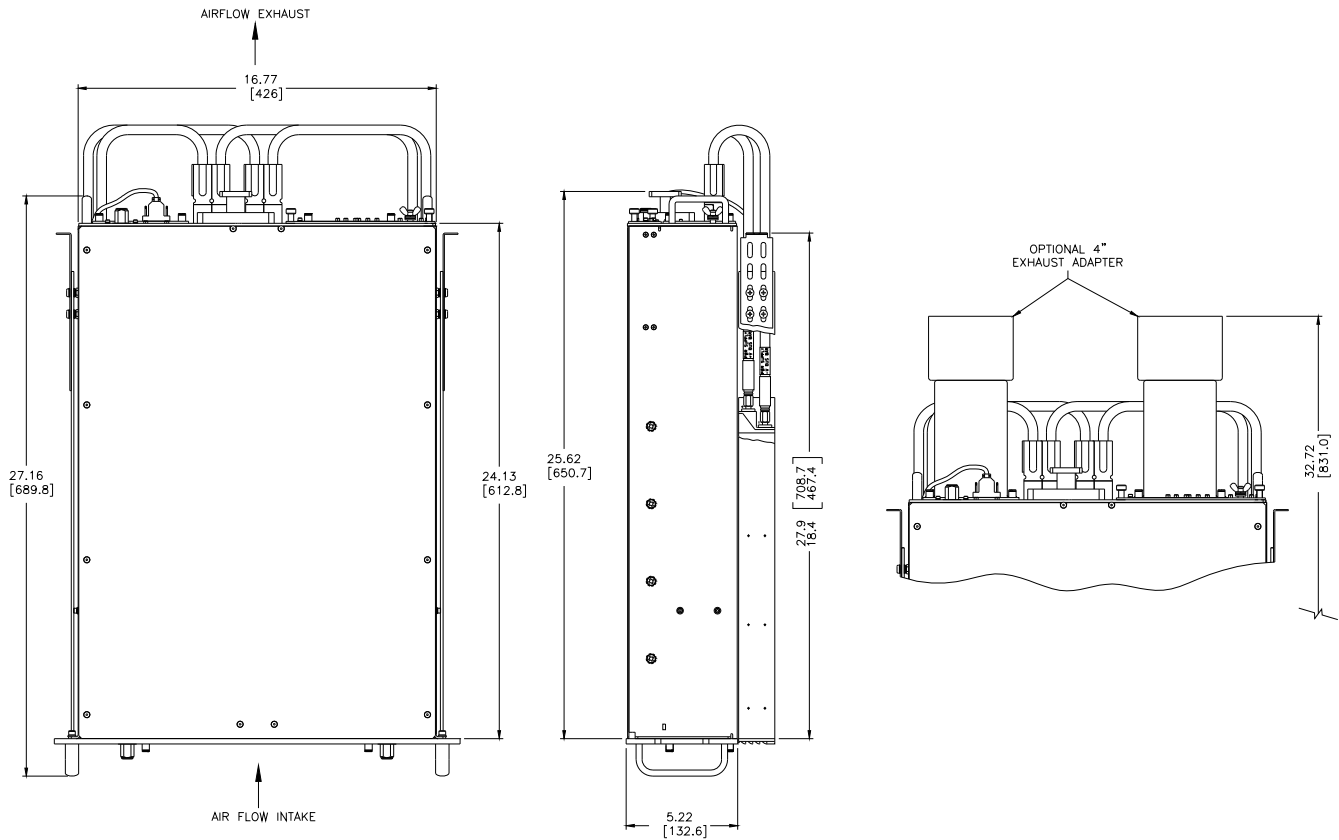
In addition, the power supply modules are removable from the front panel while in operation. There is never a need to remove the power supply chassis from the equipment rack.

Weighing only 9 lbs. (4 kg.) and only 1 rack unit of cabinet space, the redundant power supply chassis is an excellent companion to the SSPA chassis.



The power supply has a single phase, universal AC input rating from 90-265 VAC, 46-63 Hz. It is power factor corrected to 0.99. Depending on the power requirements of the SSPA, the power supply is configured with two, three or four 1200W hot-swappable modules, each of which weighs 5 lbs. (2.3 kg).

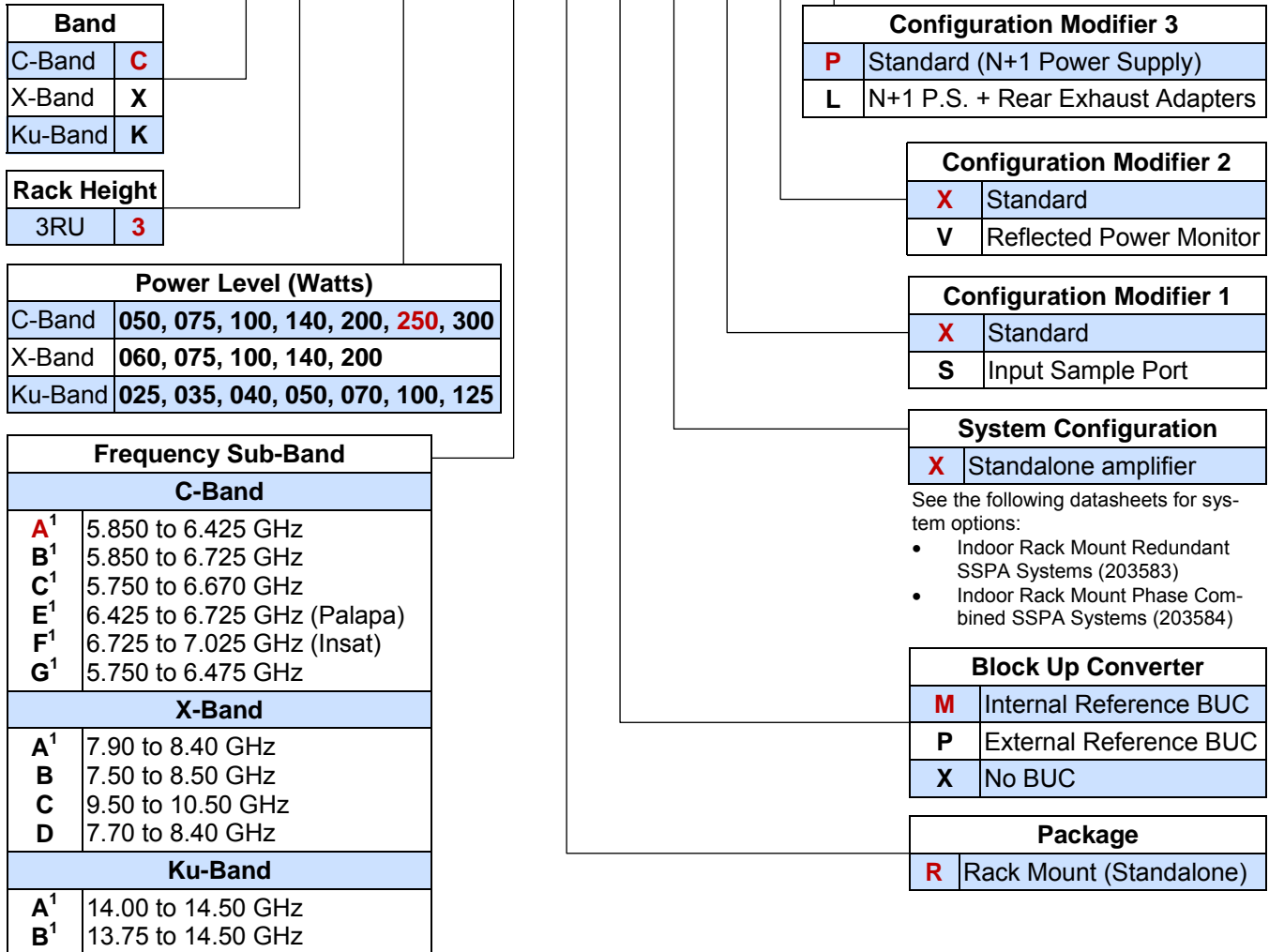
Indoor Rack Mount GaAs Solid State Power Amplifier 3RU Rack Height



Outline Drawing, typical Ku-Band 3RU SSPA Chassis with 1RU N+1 Power Supply

Part Number Configuration Matrix

HPA **C 3 3 0 0 A R M X X X P**



¹ Available with optional BUC;

Use and Disclosure of Data

The items described herein are controlled by the U.S. Government and authorized for export only to the country of ultimate destination for use by the ultimate consignee or end-user(s) herein identified. They may not be resold, transferred, or otherwise disposed of, to any other country or to any person other than the authorized ultimate consignee or end-user(s), either in their original form or after being incorporated into other items, without first obtaining approval from the U.S. government or as otherwise authorized by U.S. law and regulations.

Proprietary and Confidential

The information contained in this document is the sole property of Teledyne Paradise Datacom. Any reproduction in part or as a whole without the written permission of Teledyne Paradise Datacom is prohibited.

Specifications are subject to change without notice.