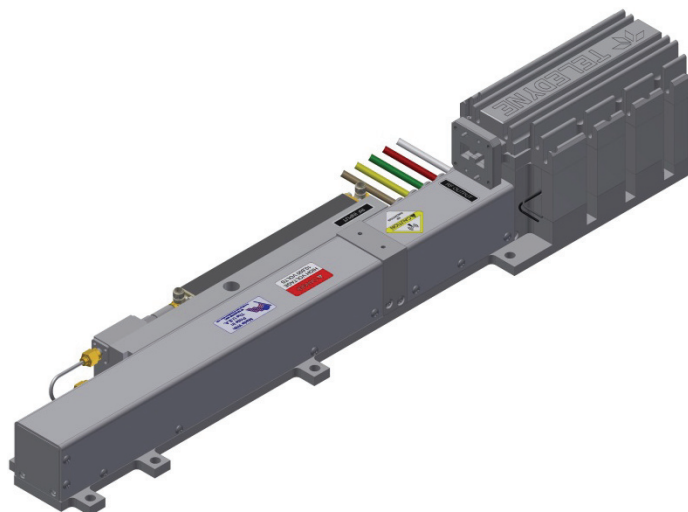


MTG 5336B

Communication TWT

Dual Band

- 325 W Minimum Power
- Dual Band
- -40° to 85° C
- 1412 W Typ. Prime Power
- 38/52 dB Typical Gain
- 19.8" L x 3" W x 3.4" H
(50.34 x 7.67 x 8.64 cm)
- Phase Match Available



RF Performance

Freq (GHz)	Typ. Sat. Power Output (W)	Min. Spec. Power Output (W)	Typ. Gain @ Spec. Power (dB)
5.850	375	325*	38
6.000	375	325	38
6.425	375	325	38
6.650	375	325	38

13.750	420	325	52
14.000	420	325**	52
14.250	420	325	52
14.500	420	325	52

Typical power output is shown to illustrate capability.

Typical gain shown is with equalizer.

*** Minimum harmonic separation applies to the minimum specified power output at the indicated frequency.

Typical Operating Conditions

Element	Voltage	Current	Power Supply Requirements		
			Voltage Min.	Voltage Max.	Current Max.
Heater	-6 Vdc	1.62 A	-5.6 Vdc	-6.6 Vdc	2.5 A
Helix					
with RF	Ground	5 mA	Ground	Ground	10 mA
without RF	Ground	0.6 mA	Ground	Ground	10 mA
FE On	-40 Vdc	0.1 mA	0	-75 Vdc	1 mA
FE Off	-1300 Vdc	0.1 mA	-1300 Vdc	-1500 Vdc	1 mA
Cathode (E _k)	-10.75 kV	290 mA	-10 kV	-10.8 kV	300 mA
Collector w/RF					
Coll. #1	6.02 kV	80 mA	56% x E _k ±2%		150 mA
Coll. #2	4.3 kV	202 mA	40% x E _k ±2%		300 mA

Cathode voltage is measured with respect to ground.

Heater, Collector, and Focus Electrode (FE) voltages are measured with respect to Cathode.

Spectral Regrowth

Freq (GHz)	Min. Linear Power (W)	Modulation	Level @1 Symbol Rate
5.85	225	QPSK	-26 dBc
6.425	225	QPSK	-26 dBc

13.75	125	QPSK	-26 dBc
14.5	125	QPSK	-26 dBc

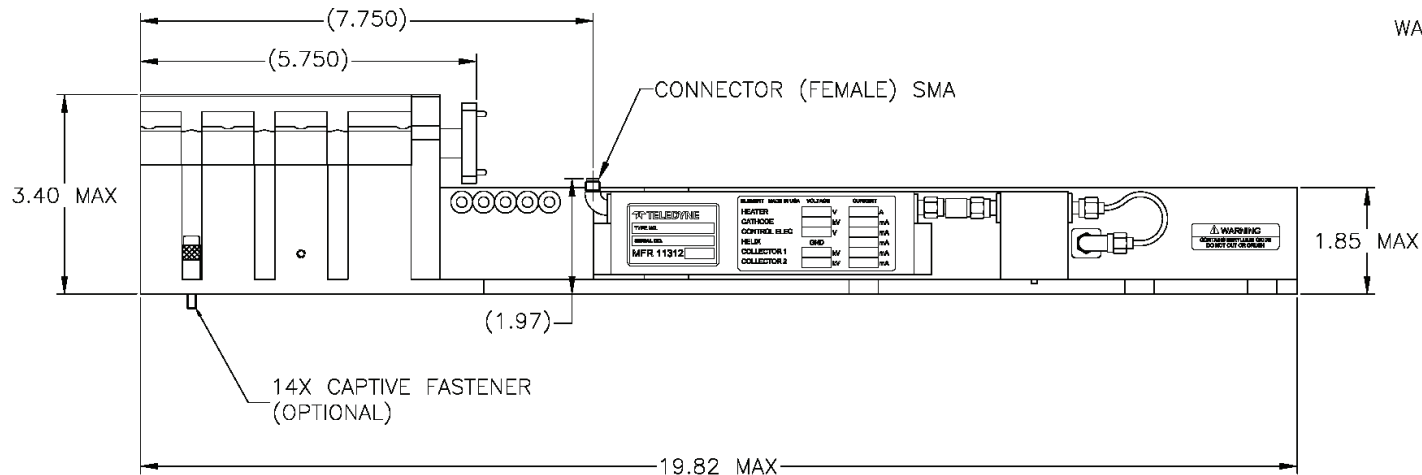
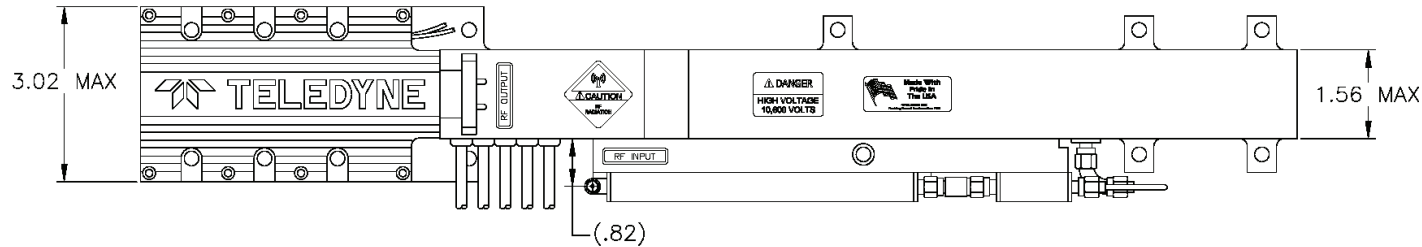
Performance

	Typical	Spec
Input VSWR.....	2.3:1	2.5:1
Output VSWR.....	2.0:1	2.3:1
Max. Duty	—	CW
Grid Capacitance.....	50 pF	65 pF
Min. Harmonic Separation	-5/-20 dBc	-3*/-15** dBc
Noise Power Density (dBm/MHz)	-12	-10
Prime Power	1412 W	1450 W

This model number is controlled by the International Traffic in Arms Regulations, and can only be exported via a U.S. Department of State export license. They may not be transferred, transshipped on a non-continuous voyage, or otherwise be disposed of in any other country, either in their original form or after being incorporated into other end-items, without the prior written approval of the U.S. Department of State.

NOTES:

1. THERMOSTAT OPTIONS: N/C OR N/O



TELEDYNE MICROWAVE SOLUTIONS
TWT Products
11361 Sunrise Park Dr., Rancho Cordova, CA (916) 638-3344

TITLE

MTG 5336B

SUBJECT TO CHANGE W/O NOTICE ISO 9001:2008 Registered

This model number is controlled by the International Traffic in Arms Regulations, and can only be exported via a U.S. Department of State export license. They may not be transferred, transshipped on a non-continuous voyage, or otherwise be disposed of in any other country, either in their original form or after being incorporated into other end-items, without the prior written approval of the U.S. Department of State.