

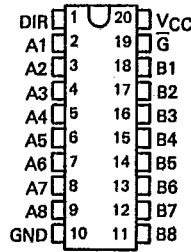
SN54LS245, SN74LS245
OCTAL BUS TRANSCEIVERS WITH 3-STATE OUTPUTS

TEXAS INSTR (LOGIC)

OCTOBER 1978—REVISED MARCH 1988
T-52-31

- Bi-directional Bus Transceiver in a High-Density 20-Pin Package
- 3-State Outputs Drive Bus Lines Directly
- PNP Inputs Reduce D-C Loading on Bus Lines
- Hysteresis at Bus Inputs Improve Noise Margins
- Typical Propagation Delay Times, Port-to-Port . . . 8 ns

SN54LS245 . . . J OR W PACKAGE
 SN74LS245 . . . DW OR N PACKAGE
 (TOP VIEW)



TYPE	I _{OL} (SINK CURRENT)	I _{OH} (SOURCE CURRENT)
SN54LS245	12 mA	-12 mA
SN74LS245	24 mA	-15 mA

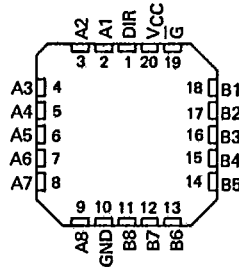
description

These octal bus transceivers are designed for asynchronous two-way communication between data buses. The control function implementation minimizes external timing requirements.

The devices allow data transmission from the A bus to the B bus or from the B bus to the A bus depending upon the logic level at the direction control (DIR) input. The enable input (\bar{G}) can be used to disable the device so that the buses are effectively isolated.

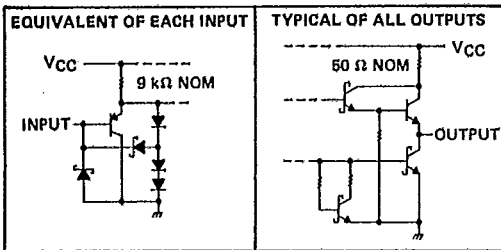
The SN54LS245 is characterized for operation over the full military temperature range of -55°C to 125°C. The SN74LS245 is characterized for operation from 0°C to 70°C.

SN54LS245 . . . FK PACKAGE
 (TOP VIEW)



TTL Devices

schematics of inputs and outputs



FUNCTION TABLE

ENABLE \bar{G}	DIRECTION CONTROL DIR	OPERATION
L	L	B data to A bus
L	H	A data to B bus
H	X	Isolation

H = high level, L = low level, X = Irrelevant

NOTICE

SEE ORDER OF DATA FOR ERRATA INFORMATION

PRODUCTION DATA documents contain information current as of publication date. Products conform to specifications per the terms of Texas Instruments standard warranty. Production processing does not necessarily include testing of all parameters.



POST OFFICE BOX 655012 • DALLAS, TEXAS 75265

2-701

0894

A-07

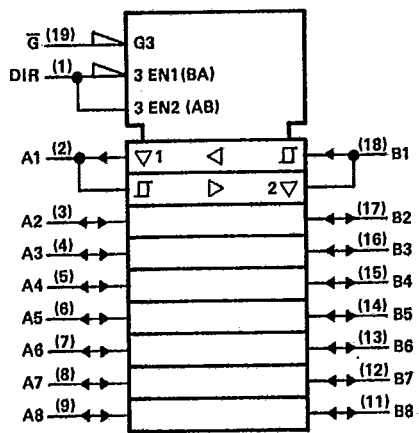
SN54LS245, SN74LS245
OCTAL BUS TRANSCEIVERS WITH 3-STATE OUTPUTS

T-52-31

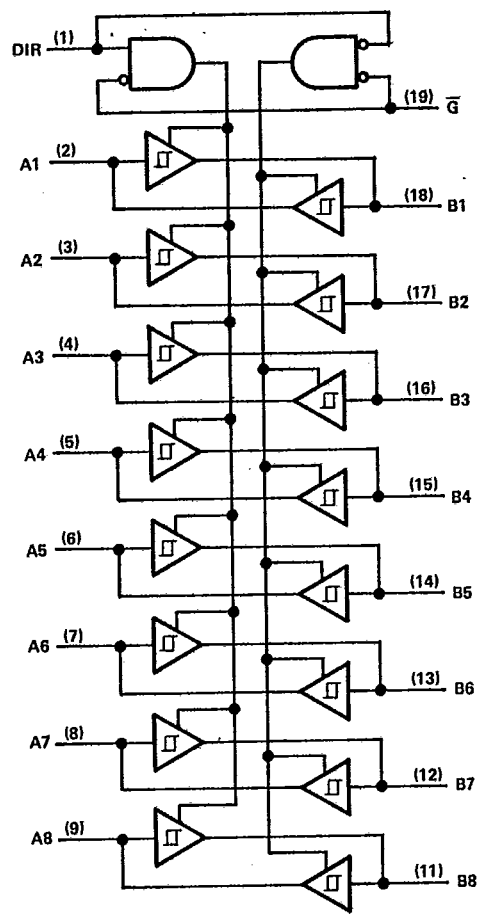
TEXAS INSTR (LOGIC)

25E D ■ 8961723 0082338 6 ■

logic symbol†



logic diagram (positive logic)



† This symbol is in accordance with ANSI/IEEE Std. 91-1984 and IEC Publication 617-12. Pin numbers shown are for DW, J, N, and W packages.

absolute maximum ratings over operating free-air temperature range (unless otherwise noted)

Supply voltage, V _{CC} (see Note 1)	7 V
Input voltage	7 V
Off-state output voltage	5.5 V
Operating free-air temperature range: SN54LS245	-55°C to 125°C
SN74LS245	0°C to 70°C
Storage temperature range	-65°C to 150°C

NOTE 1: Voltage values are with respect to network ground terminal.

2
TTL Devices

2-702

0895

A-08



POST OFFICE BOX 655012 • DALLAS, TEXAS 75265

T-52-31

SN54LS245, SN74LS245
OCTAL BUS TRANSCEIVERS WITH 3-STATE OUTPUTS

TEXAS INSTR (LOGIC)
recommended operating conditions

25E D ■ 8961723 0082339 8 ■

PARAMETER	SN54LS245			SN74LS245			UNIT
	MIN	NOM	MAX	MIN	NOM	MAX	
Supply voltage, V _{CC}	4.5	5	5.5	4.75	5	5.25	V
High-level output current, I _{OH}			-12			-15	mA
Low-level output current, I _{OL}			12			24	mA
Operating free-air temperature, T _A	-55		125	0		70	°C

electrical characteristics over recommended operating free-air temperature range (unless otherwise noted)

PARAMETER	TEST CONDITIONS†	SN54LS245			SN74LS245			UNIT
		MIN	TYP‡	MAX	MIN	TYP‡	MAX	
V _{IH} High-level input voltage		2			2			V
V _{IL} Low-level input voltage				0.7			0.8	V
V _{IK} Input clamp voltage	V _{CC} = MIN, I _I = -18 mA			-1.5			-1.5	V
	Hysteresis (V _{T+} - V _{T-}) _A or B input	V _{CC} = MIN	0.2	0.4	0.2	0.4		V
V _{OH} High-level output voltage	V _{CC} = MIN, V _{IH} = 2 V, V _{IL} = V _{IL max}	I _{OH} = -3 mA	2.4	3.4	2.4	3.4		V
		I _{OH} = MAX	2		2			V
V _{OL} Low-level output voltage	V _{CC} = MIN, V _{IH} = 2 V, V _{IL} = V _{IL max}	I _{OL} = 12 mA		0.4		0.4		V
		I _{OL} = 24 mA				0.5		V
I _{OZH} Off-state output current, high-level voltage applied	V _{CC} = MAX, \bar{G} at 2 V	V _O = 2.7 V		20		20		μA
I _{OZL} Off-state output current, low-level voltage applied		V _O = 0.4 V		-200		-200		μA
I _I Input current at maximum input voltage	A or B DIR or \bar{G}	V _{CC} = MAX, V _I = 5.5 V		0.1		0.1		mA
		V _I = 7 V		0.1		0.1		mA
I _{IH} High-level input current	V _{CC} = MAX, V _{IH} = 2.7 V			20		20		μA
I _{IL} Low-level input current	V _{CC} = MAX, V _{IL} = 0.4 V			-0.2		-0.2		mA
I _{OS} Short-circuit output current‡	V _{CC} = MAX		-40	-225	-40	-225		mA
I _{CC} Supply current	Total, outputs high	V _{CC} = MAX, Outputs open		48	70	48	70	mA
	Total, outputs low			62	90	62	90	
	Outputs at Hi-Z			64	95	64	95	

†For conditions shown as MIN or MAX, use the appropriate value specified under recommended operating conditions.

‡All typical values are at V_{CC} = 5 V, T_A = 25°C.

§Not more than one output should be shorted at a time, and duration of the short-circuit should not exceed one second.

switching characteristics, V_{CC} = 5 V, T_A = 25°C

PARAMETER	TEST CONDITIONS	MIN	TYP	MAX	UNIT	
t _{PLH} Propagation delay time, low-to-high-level output	C _L = 45 pF, R _L = 687 Ω, See Note 2		8	12	ns	
t _{PHL} Propagation delay time, high-to-low-level output			8	12	ns	
t _{PZL} Output enable time to low level				27	40	ns
t _{PZH} Output enable time to high level	C _L = 5 pF, R _L = 687 Ω, See Note 2			25	40	ns
t _{PZH} Output disable time from low level			15	25	ns	
t _{PHZ} Output disable time from high level			15	28	ns	

NOTE 2: Load circuits and voltage waveforms are shown in Section 1.



POST OFFICE BOX 855012 • DALLAS, TEXAS 75285

2-703

0896

A-09

2
TTL Devices