

100344

Low Power 8-Bit Latch with Cut-Off Drivers

General Description

The 100344 contains eight D-type latches, individual inputs (D_n), outputs (Q_n), a common enable pin (\bar{E}), latch enable (\bar{LE}), and output enable pin (\bar{OEN}). A Q output follows its D input when both \bar{E} and \bar{LE} are LOW. When either \bar{E} or \bar{LE} (or both) are HIGH, a latch stores the last valid data present on its D input prior to \bar{E} or \bar{LE} going HIGH.

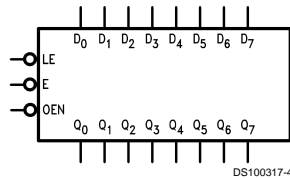
A HIGH on \bar{OEN} holds the outputs in a cut-off state. The cut-off state is designed to be more negative than a normal ECL LOW level. This allows the output emitter-followers to turn off when the termination supply is $-2.0V$, presenting a high impedance to the data bus. This high impedance reduces termination power and prevents loss of low state noise margin when several loads share the bus.

The 100344 outputs are designed to drive a doubly terminated 50Ω transmission line (25Ω load impedance). All inputs have $50\text{ k}\Omega$ pull-down resistors.

Features

- Cut-off drivers
- Drives 25Ω load
- Low power operation
- 2000V ESD protection
- Voltage compensated operating range = $-4.2V$ to $-5.7V$
- Available to MIL-STD-883

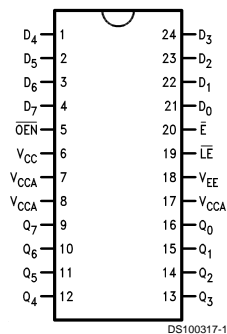
Logic Symbol



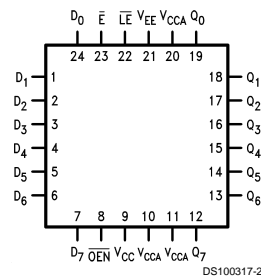
Pin Names	Description
D_0 - D_7	Data Inputs
\bar{E}	Enable Input
\bar{LE}	Latch Enable Input
\bar{OEN}	Output Enable Input
Q_0 - Q_7	Data Outputs

Connection Diagrams

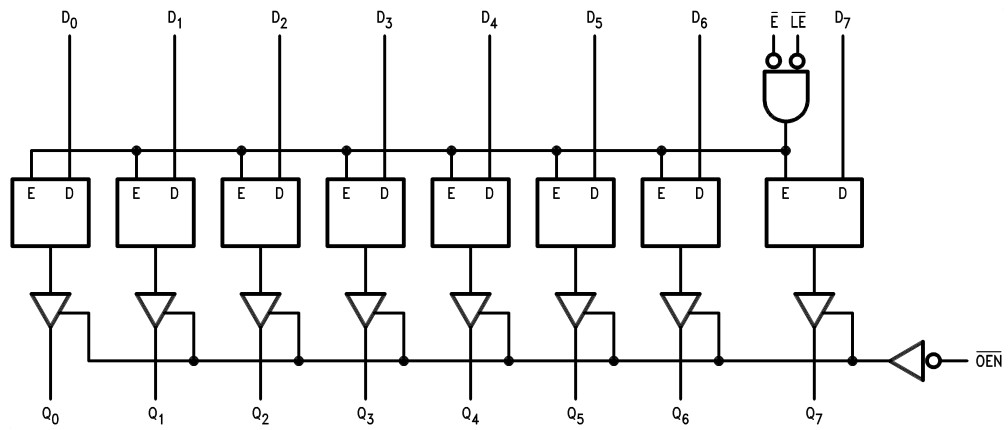
24-Pin DIP



24-Pin Quad Cerpak



Logic Diagram



DS100317-5

Truth Table

Inputs				Outputs
D _n	\bar{E}	\overline{LE}	\overline{OEN}	Q _n
L	L	L	L	L
H	L	L	L	H
X	H	X	L	Latched (Note 1)
X	X	H	L	Latched (Note 1)
X	X	X	H	Cutoff

H = HIGH Voltage level
 L = LOW Voltage level
 Cutoff = lower-than-LOW state
 X = Don't Care

Note 1: Retains data present before either \overline{LE} or \bar{E} go HIGH.

Absolute Maximum Ratings (Note 2)

If Military/Aerospace specified devices are required, please contact the National Semiconductor Sales Office/Distributors for availability and specifications.

Above which the useful life may be impaired

Storage Temperature (T_{STG})	-65°C to +150°C
Maximum Junction Temperature (T_J)	
Ceramic	+175°C
V_{EE} Pin Potential to Ground Pin	-7.0V to +0.5V
Input Voltage (DC)	V_{EE} to +0.5V
Output Current (DC Output HIGH)	-100 mA

ESD (Note 3)

≥2000V

Recommended Operating Conditions

Case Temperature (T_C)	
Military	-55°C to +125°C
Supply Voltage (V_{EE})	-5.7V to -4.2V

Note 2: Absolute maximum ratings are those values beyond which the device may be damaged or have its useful life impaired. Functional operation under these conditions is not implied.

Note 3: ESD testing conforms to MIL-STD-883, Method 3015.

Military Version

DC Electrical Characteristics

$V_{EE} = -4.2V$ to $-5.7V$, $V_{CC} = V_{CCA} = GND$, $T_C = -55^\circ C$ to $+125^\circ C$

Symbol	Parameter	Min	Max	Units	T_C	Conditions	Notes
V_{OH}	Output HIGH Voltage	-1025	-870	mV	0°C to +125°C	$V_{IN} = V_{IH}$ (Max) or V_{IL} (Min)	Loading with 25Ω to -2.0V (Notes 4, 5, 6)
		-1085	-870	mV	-55°C		
V_{OL}	Output LOW Voltage	-1830	-1620	mV	0°C to +125°C	$V_{IN} = V_{IH}$ (Min) or V_{IL} (Max)	Loading with 25Ω to -2.0V (Notes 4, 5, 6)
		-1830	-1555	mV	-55°C		
V_{OHC}	Output HIGH Voltage	-1035		mV	0°C to +125°C	$V_{IN} = V_{IH}$ (Min) or V_{IL} (Max)	Loading with 25Ω to -2.0V (Notes 4, 5, 6)
		-1085		mV	-55°C		
V_{OLC}	Output LOW Voltage		-1610	mV	0°C to +125°C	$V_{IN} = V_{IH}$ (Min) or V_{IL} (Max)	Loading with 25Ω to -2.0V (Notes 4, 5, 6)
			-1555	mV	-55°C		
V_{OLZ}	Cutoff LOW Voltage		-1950	mV	0°C to +125°C	$V_{IN} = V_{IH}$ (Min) or V_{IL} (Max)	$\overline{OEN} = HIGH$ (Notes 4, 5, 6)
			-1850	mV	-55°C		
V_{IH}	Input HIGH Voltage	-1165	-870	mV	-55°C to +125°C	Guaranteed HIGH Signal for All Inputs	(Notes 4, 5, 6, 7)
V_{IL}	Input LOW Voltage	-1830	-1475	mV	-55°C to +125°C	Guaranteed LOW Signal for All Inputs	(Notes 4, 5, 6, 7)
I_{IL}	Input LOW Current	0.50		μA	-55°C to +125°C	$V_{EE} = -4.2V$ $V_{IN} = V_{IL}$ (Min)	(Notes 4, 5, 6, 7)
I_{IH}	Input HIGH Current		240	μA	0°C to +125°C	$V_{EE} = -5.7V$ $V_{IN} = V_{IH}$ (Max)	(Notes 4, 5, 6)
			340	μA	-55°C		
I_{EE}	Power Supply Current	-195	-73	mA	-55°C to +125°C	Inputs Open $V_{EE} = -4.2V$ to $-4.8V$ $V_{EE} = -4.2V$ to $-5.7V$	(Notes 4, 5, 6)
		-205	-73	mA			

Note 4: F100K 300 Series cold temperature testing is performed by temperature soaking (to guarantee junction temperature equals -55°C), then testing immediately without allowing for the junction temperature to stabilize due to heat dissipation after power-up. This provides "cold start" specs which can be considered a worst case condition at cold temperatures.

Note 5: Screen tested 100% on each device at -55°C, +25°C, and +125°C, Subgroups 1, 2, 3, 7, and 8.

Note 6: Sample tested (Method 5005, Table I) on each manufactured lot at -55°C, +25°C, and +125°C, Subgroups A1, 2, 3, 7, and 8.

Note 7: Guaranteed by applying specified input condition and testing V_{OH}/V_{OL} .

AC Electrical Characteristics

$V_{EE} = -4.2V$ to $-5.7V$; $V_{CC} = V_{CCA} = GND$

Symbol	Parameter	$T_C = -55^\circ C$		$T_C = +25^\circ C$		$T_C = +125^\circ C$		Units	Conditions	Notes
		Min	Max	Min	Max	Min	Max			
t_{PLH}	Propagation Delay	0.50	2.60	0.70	2.60	0.70	3.10	ns	Figures 1, 2	(Notes 8, 9, 10, 12)
t_{PHL}	D_n to Output									
t_{PLH}	Propagation Delay	0.80	3.30	1.00	3.30	1.10	3.80	ns	Figures 1, 4	(Notes 8, 9, 10, 12)
t_{PHL}	\overline{LE} , \overline{E} to Output									
t_{PZH}	Propagation Delay	1.00	4.60	1.10	4.20	1.20	4.40	ns	Figures 1, 2	(Notes 8, 9, 10, 12)
t_{PHZ}	\overline{OEN} to Output	0.70	3.00	0.70	2.80	0.70	3.20			
t_{TLH}	Transition Time	0.40	2.50	0.40	2.40	0.40	2.70	ns	Figures 1, 3	(Note 11)
t_{THL}	20% to 80%, 80% to 20%									
t_s	Setup Time									
	D_0-D_7	1.50		1.50		1.70		ns	Figures 1, 3	(Note 11)
t_h	Hold Time									
	D_0-D_7	0.60		0.60		0.60		ns	Figures 1, 3	(Note 11)
$t_{pw(H)}$	Pulse Width HIGH									
	\overline{LE} , \overline{E}	2.40		2.40		2.40		ns	Figures 1, 3	(Note 11)

Note 8: F100K 300 Series cold temperature testing is performed by temperature soaking (to guarantee junction temperature equals $-55^\circ C$), then testing immediately after power-up. This provides "cold start" specs which can be considered a worst case condition at cold temperatures.

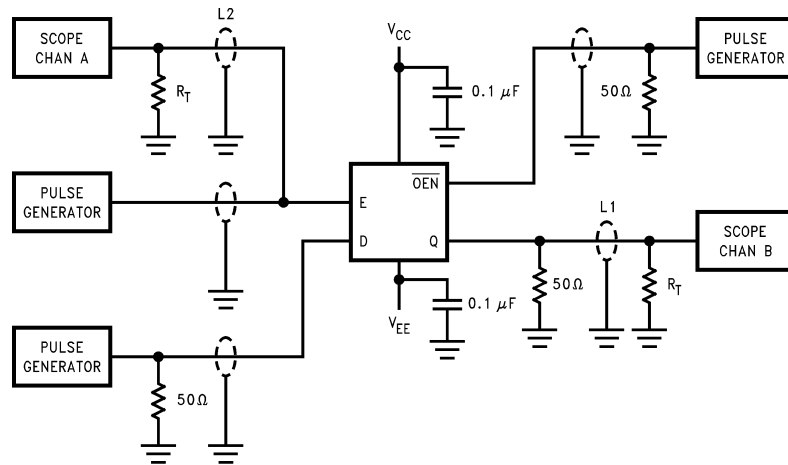
Note 9: Screen tested 100% on each device at $+25^\circ C$ temperature only, Subgroup A9.

Note 10: Sample tested (Method 5005, Table I) on each manufactured lot at $+25^\circ C$, Subgroup A9, and at $+125^\circ C$ and $-55^\circ C$ temperatures, Subgroups A10 and A11.

Note 11: Not tested at $+25^\circ C$, $+125^\circ C$, and $-55^\circ C$ temperature (design characterization data).

Note 12: The propagation delay specified is for single output switching. Delays may vary up to 300 ps with multiple outputs switching.

Test Circuitry



DS100317-6

Notes:

V_{CC} , $V_{CCA} = +2V$, $V_{EE} = -2.5V$

L1 and L2 = equal length 50Ω impedance lines

$R_T = 50\Omega$ terminator internal to scope

Decoupling 0.1 μF from GND to V_{CC} and V_{EE}

All unused outputs are loaded with 25Ω to GND

$C_L =$ Fixture and stray capacitance ≤ 3 pF

FIGURE 1. AC Test Circuit

Switching Waveforms

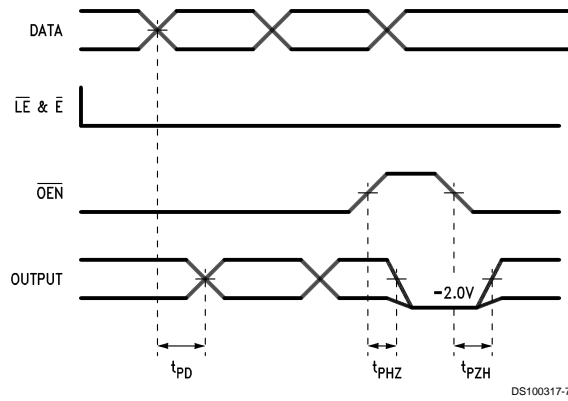


FIGURE 2. Propagation Delay and Cutoff Times

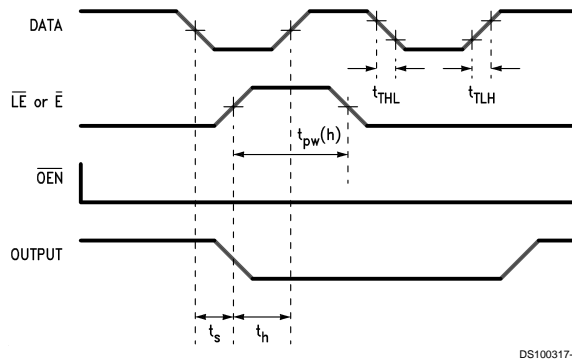


FIGURE 3. Setup, Hold and Pulse Width Times

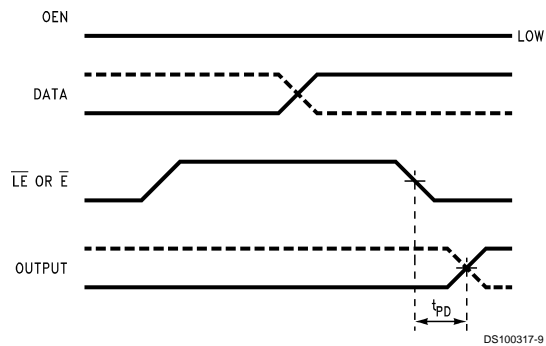
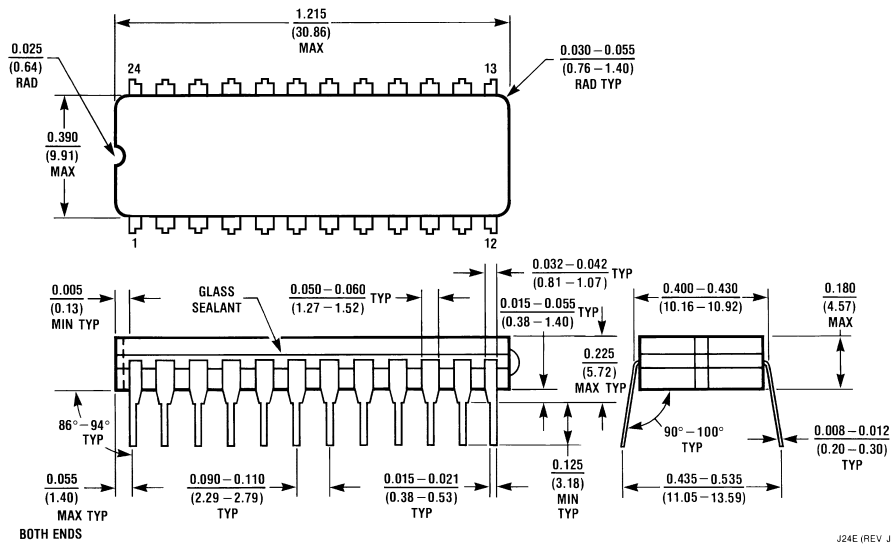


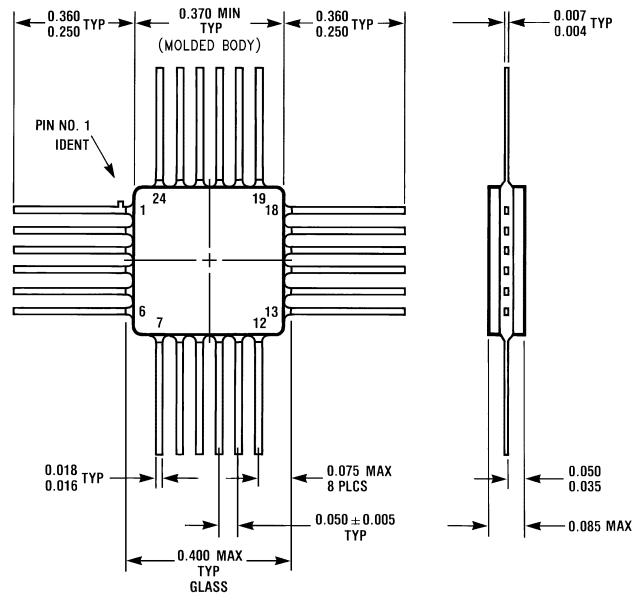
FIGURE 4. Propagation Delay \overline{LE} , \overline{E} to Q



Physical Dimensions inches (millimeters) unless otherwise noted



24-Lead Ceramic Dual-In-Line Package (0.400" Wide) (D)
NS Package Number J24E



24-Lead Quad Cerpak (F)
NS Package Number W24B

LIFE SUPPORT POLICY

NATIONAL'S PRODUCTS ARE NOT AUTHORIZED FOR USE AS CRITICAL COMPONENTS IN LIFE SUPPORT DEVICES OR SYSTEMS WITHOUT THE EXPRESS WRITTEN APPROVAL OF THE PRESIDENT OF NATIONAL SEMICONDUCTOR CORPORATION. As used herein:

1. Life support devices or systems are devices or systems which, (a) are intended for surgical implant into the body, or (b) support or sustain life, and whose failure to perform when properly used in accordance with instructions for use provided in the labeling, can be reasonably expected to result in a significant injury to the user.
2. A critical component in any component of a life support device or system whose failure to perform can be reasonably expected to cause the failure of the life support device or system, or to affect its safety or effectiveness.



National Semiconductor Corporation
Americas
Tel: 1-800-272-9959
Fax: 1-800-737-7018
Email: support@nsc.com

www.national.com

National Semiconductor Europe
Fax: +49 (0) 1 80-530 85 86
Email: europe.support@nsc.com
Deutsch Tel: +49 (0) 1 80-530 85 85
English Tel: +49 (0) 1 80-532 78 32
Français Tel: +49 (0) 1 80-532 93 58
Italiano Tel: +49 (0) 1 80-534 16 80

National Semiconductor Asia Pacific Customer Response Group
Tel: 65-2544466
Fax: 65-2504466
Email: sea.support@nsc.com

National Semiconductor Japan Ltd.
Tel: 81-3-5620-6175
Fax: 81-3-5620-6179