

B

A

NOTES:

1. ASSEMBLIES ≥ 120" WILL GET 2 CENTER MARKERS SHRUNK APPROXIMATELY 12" FROM EACH END
2. PRIOR TO ELECTRICAL TEST, BAKE ALL UNARMORED CABLES PER WI 5375
3. FOR CLOCKING, SEE QF 5163

OPERATIONAL REQUIREMENTS:

1. FREQUENCY RANGE: TEST CABLES TO THE LOWEST LIMIT BETWEEN THE TWO CHOSEN CONNECTORS
2. VSWR: SEE TABLE BELOW
3. INSERTION LOSS (dB Max): USE INSERTION LOSS CALCULATOR


ASSEMBLY LENGTH	FREQUENCY RANGE (GHz)	CABLE ASSEMBLY 2 STRAIGHT CONNECTORS	CABLE ASSEMBLY 1 STRAIGHT 1 ANGLE	CABLE ASSEMBLY 2 ANGLE CONNECTORS
L < 48"	2 - 18	1.30 : 1	1.35 : 1	1.40 : 1
	18 - 26.5	1.35 : 1	N/A	N/A
L ≥ 48"	2 - 18	1.35 : 1	1.35 : 1	1.40 : 1
	18 - 26.5	1.40 : 1	N/A	N/A

REVISION HISTORY					
REV.	RELEASE DATE	REVISION ORIGINATOR	RELEASE APPROVAL	DCRN #	CAD
AS	05/21/13	B. Witt	G. bondoc	1305090	BW
AZ	6/14/16	P. Jemmi	J. Ambruster	1512035	CR
BA	7/18/17	P. Jemmi	G. Bondoc	1707091	KT
BB	09//08/17	P. Jemmi	G. Bondoc	1709039	KT
BC	3/25/19	P. Jemmi	A. Pepple	1903136	GB
BD	7/23/19	B. Barrath	P. Jemmi	1907083	PJ
BE	1/15/20	P. Melehan	P Jemmi	2001039	DK
BF	7/9/20	B. Daniel	R Duckworth	2006129	GB

LENGTH TOLERANCES	
ASSEMBLY LENGTH	TOLERANCE
L < 12"	±1/8"
12" ≤ L < 120"	±1/4"
120" ≤ L < 240"	±1/2"
240" ≤ L < 360"	±1.0"
360" ≤ L < 480"	±1.5"
480" ≤ L < 600"	±2.0"
600" ≤ L < 900"	±3.0"
900" ≤ L < 1200"	±4.0"
1200" ≤ L < 1800"	±5.0"
L ≥ 1800"	Ask

EXPORT CONTROL-EAR99

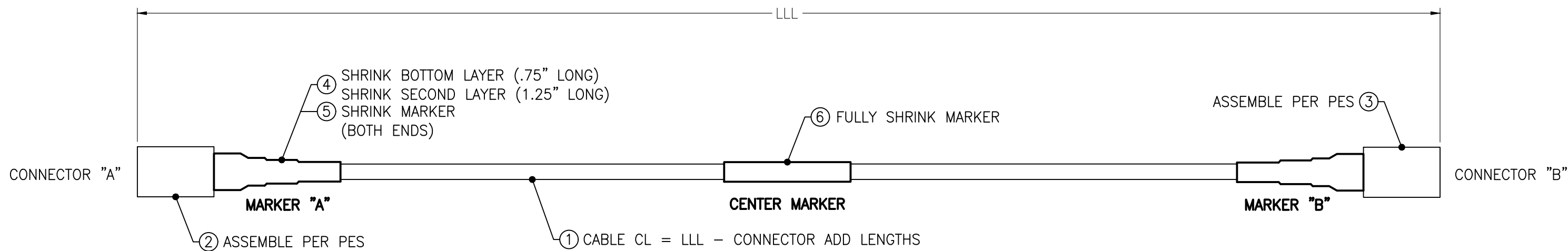
TELEDYNE STORM PROPRIETARY INFORMATION
 THIS DOCUMENT CONTAINS PROPRIETARY INFORMATION AND, EXCEPT WITH PERMISSION FROM
 TELEDYNE STORM, SUCH INFORMATION SHALL NOT BE PUBLISHED OR DISCLOSED FOR ANY
 PURPOSE AND THE DOCUMENT SHALL NOT BE COPIED WHOLE OR IN PART.

 TELEDYNE STORM MICROWAVE Everywher e youlook™	10221 WERCH DR. Woodridge, IL. 60517 www.stormproducts.com	
	TITLE: TB205 ASSEMBLY TABLE	
DRAWING SIZE: B	SCALE: N/A	PAGE: 1 of 14
DRAWING NUMBER: 90-934	REVISION LEVEL: BF	

B

A

STANDARD ASSEMBLIES



MARKER REQUIREMENTS:

MARKING TO BE 11pt CHARACTERS IN CONTRASTING COLOR ON ITEM 5 - SEE TABLES FOR MARKER TEXT

P/N CONVENTION:

90-NNN(N)-LLL/DDD

NNN(N)=CONNECTOR CODE
LLL=LENGTH IN INCHES
DDD=CLOCKING (IN DEGREES)

EXAMPLES:

A 8" ASSEMBLY IS 90-014-008
A 8.5" ASSEMBLY IS 90-014-008.5
A 12.5" ASSEMBLY IS 90-014-012.5

Assembly Length	Marker "A" (1.25" Long)	Center Marker	Marker "B" (1.25" Long)
$L \leq 10"$	TSM Logo 90-NNN(N)-LLL	N/A	TRUE BLUE® YYJJJJ-XXX

FOR SMA-RA CONNECTORS, USE (1.75" LONG) MARKERS

STRAIN RELIEF WILL EXTEND BEYOND MARKER

Assembly Length	Marker "A" (2" Long)	Center Marker (2" Long)	Marker "B" (2" Long)
$10" < L < 120"$	TSM Logo	90-NNN(N)-LLL MFR-57500 YYJJJJ-XXX	TRUE BLUE®

Assembly Length	Marker "A" (2" Long)	Center Marker 2 x (2" Long)	Marker "B" (2" Long)
$L \geq 120"$	TSM Logo	90-NNN(N)-LLL MFR-57500 YYJJJJ-XXX	TRUE BLUE®

YYJJJJ-XXX PER WI-5220

ITEM NO.	PART NUMBER	DESCRIPTION OR NOMENCLATURE	QTY. REQD.
6	200-0003-007	MARKER SLEEVE, $\phi 3/8"$ 3:1, BLACK	SEE FIGURE
5	200-0003-00X	MARKER SLEEVE, 3:1, BLACK	SEE FIGURE
4	200-0001-007	STRAIN RELIEF, $\phi 3/8"$ RNF-100, BLACK	SEE FIGURE
3	050-XXXX-XXX	CONNECTOR "B"	SEE FIGURE
2	050-XXXX-XXX	CONNECTOR "A"	SEE FIGURE
1	421-010	TRUE BLUE 205 $\phi .204"$	SEE TABLE

AW AY USE 200-0003-008 ON 50-076P, 50-060P, 50-134P AND 50-092P ONLY
USE 200-0003-007 ON ALL OTHER CONNECTORS

PARTS LIST OR LIST OF MATERIAL

ENGINEERING:	TELEDYNE STORM MICROWAVE Everywhere you look	10221 WERCH DR. Woodridge, IL. 60517 www.stormproducts.com	
MANUFACTURING ENGINEER:		TITLE: TB205 ASSEMBLY TABLE	
MANUFACTURING:	DRAWING SIZE: B SCALE: N/A PAGE: 2 of 14		REVISION LEVEL: BF
QUALITY:	DRAWING NUMBER: 90-934		

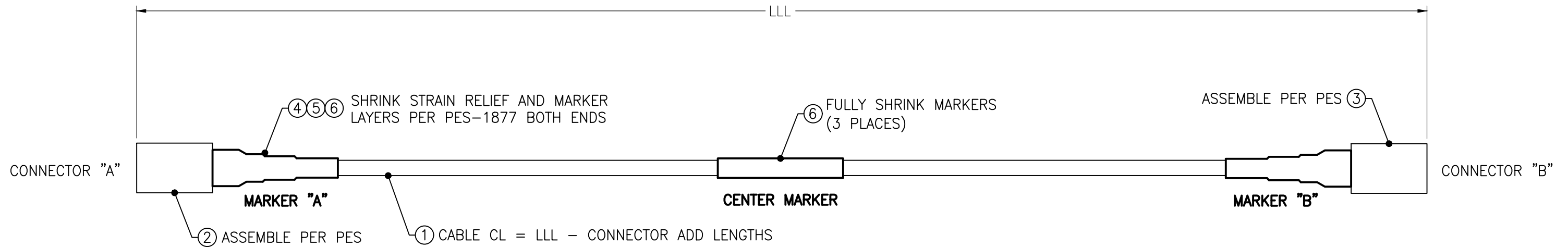
EXPORT CONTROL-EAR99

TELEDYNE STORM PROPRIETARY INFORMATION
THIS DOCUMENT CONTAINS PROPRIETARY INFORMATION AND, EXCEPT WITH PERMISSION FROM TELEDYNE STORM, SUCH INFORMATION SHALL NOT BE PUBLISHED OR DISCLOSED FOR ANY PURPOSE AND THE DOCUMENT SHALL NOT BE COPIED WHOLE OR IN PART.

B

A

HARD TO HURT ASSEMBLIES



MARKER REQUIREMENTS:

MARKING TO BE 11pt CHARACTERS IN CONTRASTING COLOR ON ITEM 6 – SEE TABLES FOR MARKER TEXT

NOTE: MINIMUM ASSEMBLY LENGTH 24"

Assembly Length	Marker "A"	Center Marker (2" Long)	Marker "B"
24" ≤ L < 120"	TSM Logo	H90-NNN(N)-LLL MFR-57500 YYJJJJ-XXX	TRUE BLUE®
Assembly Length	Marker "A"	Center Marker 2 x (2" Long)	Marker "B"
L ≥ 120"	TSM Logo	H90-NNN(N)-LLL MFR-57500 YYJJJJ-XXX	TRUE BLUE®

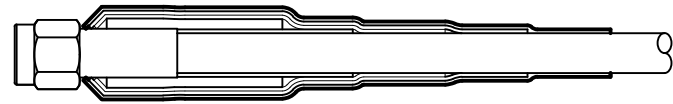
Only connectors with a minimum of 0.335" at the tail end of the back body can be used for HTH strain relief. New connectors should be designed with at least 0.350 inch length at the tail end of back body.

YYJJJJ-XXX PER WI-5220

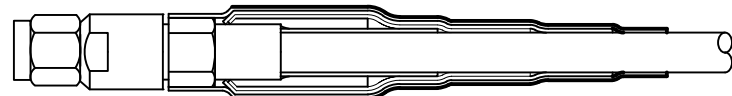
EXPORT CONTROL-EAR99

TELEDYNE STORM PROPRIETARY INFORMATION
THIS DOCUMENT CONTAINS PROPRIETARY INFORMATION AND, EXCEPT WITH PERMISSION FROM TELEDYNE STORM, SUCH INFORMATION SHALL NOT BE PUBLISHED OR DISCLOSED FOR ANY PURPOSE AND THE DOCUMENT SHALL NOT BE COPIED WHOLE OR IN PART.

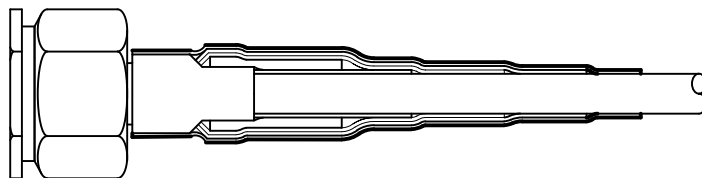
STRAIN RELIEF EXAMPLES



*CONNECTOR WITH STRAIGHT HOUSING (Eg: 50-340P)



** SMA or 3.5mm CONNECTOR WITH SHOULDER BACK BODY



** N or TNC CONNECTOR WITH SHOULDER BACK BODY

APPLICATION AND LENGTH OF EACH LAYER			
LAYER	PART NO.	QTY*	QTY**
1	G50S-3/8	1.25"	1.50"
2	G404-3/8	1.00"	1.00"
3	G50S-3/8	2.50"	2.50"
4	G50S-3/8	3.25"	3.25"
5	200-0003-008	4.00"	4.25"

P/N CONVENTION:

H90-NNN(N)-LLL/DDD

NNN(N)=CONNECTOR CODE

LLL=LENGTH IN INCHES

DDD=CLOCKING (IN DEGREES)

EXAMPLES:

A 24" ASSEMBLY IS H90-010-024

A 36.5" ASSEMBLY AT 180 deg CLOCKING

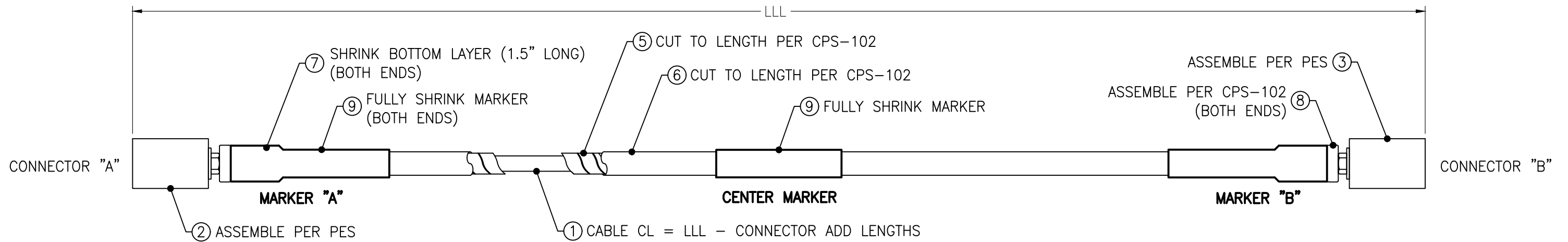
IS H90-010-036.5/180

Item No.	Part Number	Description or nomenclature	Qty*	Qty**
6	200-0003-008	End Marker sleeve, ø1/2" Black Center Marker sleeve as needed	8.00 inch 2 inch ea.	8.50 inch 2 inch ea.
5	G404-3/8	Strain relief ø3/8" SCL Black	2.00 inch	2.00 inch
4	200-0001-007	Strain relief ø3/8" RNF-100 Black	14.00 inch	14.50 inch
3	050-XXXX-XXX	Connector "B"	1 each	
2	050-XXXX-XXX	Connector "A"	1 each	
1	421-010	True Blue 205 ø.205"	CL	

Qty* FOR CONNECTOR WITH STRAIGHT HOUSING
Qty** FOR CONNECTOR WITH SHOULDER

ENGINEERING:	TELEDYNE STORM MICROWAVE Everywhere you look™	10221 WERCH DR. Woodridge, IL. 60517 www.stormproducts.com	
MANUFACTURING ENGINEER:		TITLE: TB205 ASSEMBLY TABLE	
MANUFACTURING:	DRAWING SIZE: B SCALE: N/A PAGE: 3 of 14		
QUALITY:	DRAWING NUMBER: 90-934		REVISION LEVEL: BF

SOFT ARMORED ASSEMBLIES



MARKER REQUIREMENTS:

MARKING TO BE 11pt CHARACTERS IN CONTRASTING COLOR ON ITEM 9 - SEE TABLES FOR MARKER TEXT

Assembly Length	Marker "A" (2.5" Long)	Center Marker	Marker "B" (2.5" Long)
$L \leq 10"$	TSM Logo SA90-NNN(N)-LLL	N/A	TRUE BLUE® YYJJJ-XXX

Assembly Length	Marker "A" (2.5" Long)	Center Marker (2" Long)	Marker "B" (2.5" Long)
$10" < L < 120"$	TSM Logo	SA90-NNN(N)-LLL MFR-57500 YYJJJ-XXX	TRUE BLUE®

Assembly Length	Marker "A" (2.5" Long)	Center Marker 2 x (2" Long)	Marker "B" (2.5" Long)
$L \geq 120"$	TSM Logo	SA90-NNN(N)-LLL MFR-57500 YYJJJ-XXX	TRUE BLUE®

YYJJJ-XXX PER WI-5220

P/N CONVENTION:
 SA90-NNN(N)-LLL/DDD
 NNN(N)=CONNECTOR CODE
 LLL=LENGTH IN INCHES
 DDD=CLOCKING (IN DEGREES)

EXAMPLES:
 A 8" ASSEMBLY IS SA90-014-008
 A 8.5" ASSEMBLY IS SA90-014-008.5
 A 12.5" ASSEMBLY IS SA90-014-012.5

Connector	SA Backbody	Crimp Barrel
050-2433-004	supplied with connector	supplied with connector
050-2436-004		
050-2599-004		
050-2598-004		
050-2899-004		
050-2900-004	DD-056P-08SA	DD-088P-10A
50-064J		
50-100J		
50-141J		
50-080J		
50-084J		
50-060P		
50-072P		
50-088P		
50-096J		
50-183P	DD-092P-08A	DD-088P-10B
50-224P		
50-130H		
50-076P		
50-092P		

ITEM NO.	PART NUMBER	DESCRIPTION OR NOMENCLATURE	QTY. REQD.
9	200-0003-009	MARKER SLEEVE, $\phi 3/4"$ 3:1, BLACK	SEE FIGURE
8	DD-088P-XXX	CRIMP BARREL	SEE FIGURE
7	G404-3/4	STRAIN RELIEF, $\phi 3/4"$ SCL, BLACK	SEE FIGURE
6	F701-2	NEOPRENE TUBE	SEE FIGURE
5	M189-622-1	SPIRAL WRAP	SEE FIGURE
4	SEE TABLE	ARMORED BACKBODY	SEE FIGURE
3	050-XXXX-XXX	CONNECTOR "B"	SEE FIGURE
2	050-XXXX-XXX	CONNECTOR "A"	SEE FIGURE
1	421-010	TRUE BLUE 205 $\phi .204"$	SEE TABLE

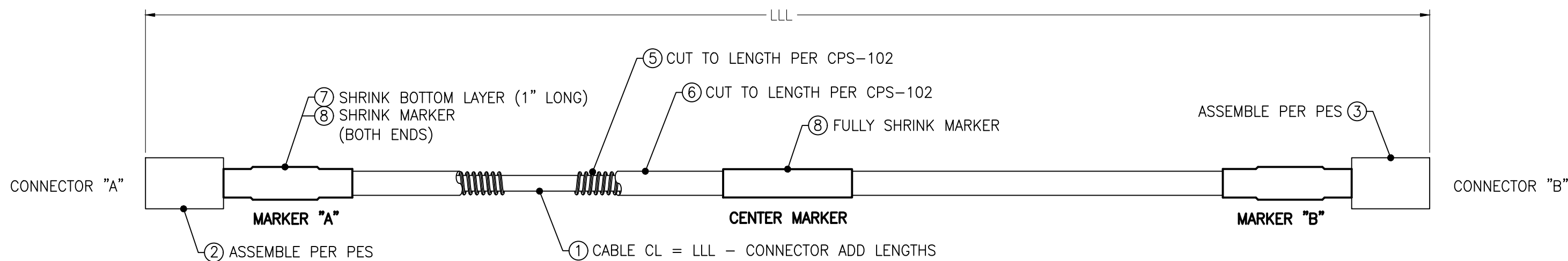
PARTS LIST OR LIST OF MATERIAL

ENGINEERING:	TELEDYNE STORM MICROWAVE Everywhere you look®	10221 WERCH DR.	
MANUFACTURING ENGINEER:		Woodridge, IL. 60517	
MANUFACTURING:	www.stormproducts.com		
QUALITY:	TITLE: TB205 ASSEMBLY TABLE		
DRAWING SIZE: B		SCALE: N/A	PAGE: 4 of 14
DRAWING NUMBER: 90-934		REVISION LEVEL: BF	

EXPORT CONTROL-EAR99

TELEDYNE STORM PROPRIETARY INFORMATION
 THIS DOCUMENT CONTAINS PROPRIETARY INFORMATION AND, EXCEPT WITH PERMISSION FROM TELEDYNE STORM, SUCH INFORMATION SHALL NOT BE PUBLISHED OR DISCLOSED FOR ANY PURPOSE AND THE DOCUMENT SHALL NOT BE COPIED WHOLE OR IN PART.

RUGGEDIZED ASSEMBLIES



MARKER REQUIREMENTS:

MARKING TO BE 11pt CHARACTERS IN CONTRASTING COLOR ON ITEM 8 - SEE TABLES FOR MARKER TEXT

Assembly Length	Marker "A" (1.25" Long)	Center Marker	Marker "B" (1.25" Long)
$L \leq 10"$	TSM Logo R90-NNN(N)-LLL	N/A	TRUE BLUE® YYJJJJ-XXX

Assembly Length	Marker "A" (2" Long)	Center Marker (2" Long)	Marker "B" (2" Long)
$10" < L < 120"$	TSM Logo	R90-NNN(N)-LLL MFR-57500 YYJJJJ-XXX	TRUE BLUE®

Assembly Length	Marker "A" (2" Long)	Center Marker 2 x (2" Long)	Marker "B" (2" Long)
$L \geq 120"$	TSM Logo	R90-NNN(N)-LLL MFR-57500 YYJJJJ-XXX	TRUE BLUE®

YYJJJJ-XXX PER WI-5220

P/N CONVENTION:

R90-NNN(N)-LLL/DDD

NNN(N)=CONNECTOR CODE
LLL=LENGTH IN INCHES
DDD=CLOCKING (IN DEGREES)

EXAMPLES:

A 8" ASSEMBLY IS R90-014-008
A 8.5" ASSEMBLY IS R90-014-008.5
A 12.5" ASSEMBLY IS R90-014-012.5

		R Backbody	
Connector	050-2433-003	supplied with connector	
	050-2436-003		
	050-2599-003		
	050-2598-003		
	050-2899-003		
	050-2900-003	DD-056P-08R	
	50-064J		
	50-100J		
	50-141J		
	50-080J		
	50-084J		
	50-060P		DD-088P-08R
	50-072P		
	50-088P		
	50-096J		
50-183P			
50-224P			
50-130H			
50-076P	DD-092P-08R		
50-092P			
50-342P		DD-342P-08R	

ITEM NO.	PART NUMBER	DESCRIPTION OR NOMENCLATURE	QTY. REQD.
8	200-0003-008	MARKER SLEEVE, $\phi 1/2"$ 3:1, BLACK	SEE FIGURE
7	G404-1/2	STRAIN RELIEF, $\phi 1/2"$ SCL, BLACK	SEE FIGURE
6	200-0001-608	SHRINK TUBING, $\phi 1/2"$ RNF-100, BLUE	SEE FIGURE
5	F702	RUGGEDIZING SPRING	SEE FIGURE
4	SEE TABLE	RUGGEDIZED BACKBODY	SEE FIGURE
3	050-XXXX-XXX	CONNECTOR "B"	SEE FIGURE
2	050-XXXX-XXX	CONNECTOR "A"	SEE FIGURE
1	421-010	TRUE BLUE 205 $\phi .204"$	SEE TABLE

PARTS LIST OR LIST OF MATERIAL

ENGINEERING:	TELEDYNE STORM MICROWAVE Everywhere you look	10221 WERCH DR.	
MANUFACTURING ENGINEER:		Woodridge, IL. 60517	
MANUFACTURING:	www.stormproducts.com		
QUALITY:	TITLE: TB205 ASSEMBLY TABLE		
DRAWING SIZE: B		SCALE: N/A	PAGE: 5 of 14
DRAWING NUMBER: 90-934		REVISION LEVEL: BF	

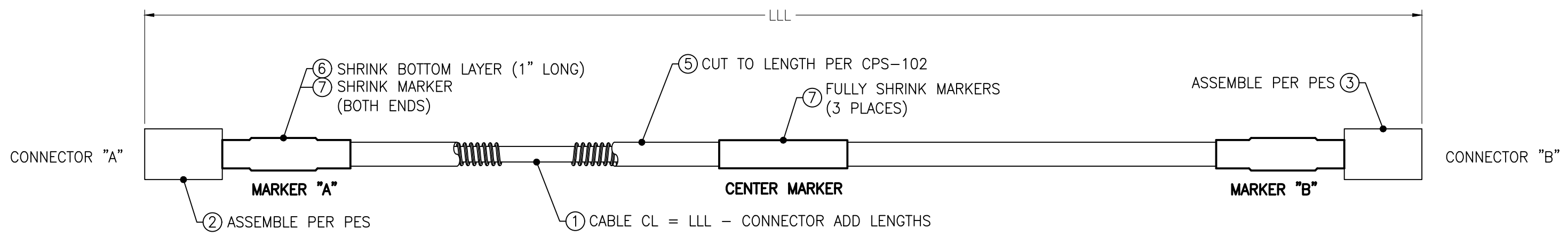
EXPORT CONTROL-EAR99

TELEDYNE STORM PROPRIETARY INFORMATION
THIS DOCUMENT CONTAINS PROPRIETARY INFORMATION AND, EXCEPT WITH PERMISSION FROM TELEDYNE STORM, SUCH INFORMATION SHALL NOT BE PUBLISHED OR DISCLOSED FOR ANY PURPOSE AND THE DOCUMENT SHALL NOT BE COPIED WHOLE OR IN PART.

B

A

POLY-RUGGEDIZED ASSEMBLIES



MARKER REQUIREMENTS:

MARKING TO BE 11pt CHARACTERS IN CONTRASTING COLOR ON ITEM 7 - SEE TABLES FOR MARKER TEXT

Assembly Length	Marker "A" (1.25" Long)	Center Marker	Marker "B" (1.25" Long)
$L \leq 10"$	TSM Logo PR90-NNN(N)-LLL	N/A	TRUE BLUE® YYJJJ-XXX

Assembly Length	Marker "A" (2" Long)	Center Marker (2" Long)	Marker "B" (2" Long)
$10" < L < 120"$	TSM Logo	PR90-NNN(N)-LLL MFR-57500 YYJJJ-XXX	TRUE BLUE®

Assembly Length	Marker "A" (2" Long)	Center Marker 2 x (2" Long)	Marker "B" (2" Long)
$L \geq 120"$	TSM Logo	PR90-NNN(N)-LLL MFR-57500 YYJJJ-XXX	TRUE BLUE®

YYJJJ-XXX PER WI-5220

Connector	PR Backbody
050-2433-003	supplied with connector
050-2436-003	
050-2599-003	
050-2598-003	
050-2899-003	
050-2900-003	
50-064J	DD-056P-08R
50-100J	
50-141J	
50-080J	
50-084J	
50-060P	DD-088P-08R
50-072P	
50-088P	
50-096J	
50-183P	
50-224P	
50-130H	
50-076P	DD-092P-08R
50-092P	DD-342P-08R
50-342P	

P/N CONVENTION:

PR90-NNN(N)-LLL/DDD

NNN(N)=CONNECTOR CODE
LLL=LENGTH IN INCHES
DDD=CLOCKING (IN DEGREES)

EXAMPLES:

- A 8" ASSEMBLY IS PR90-014-008
- A 8.5" ASSEMBLY IS PR90-014-008.5
- A 12.5" ASSEMBLY IS PR90-014-012.5

ITEM NO.	PART NUMBER	DESCRIPTION OR NOMENCLATURE	QTY. REQD.
7	200-0003-008	MARKER SLEEVE, $\phi 1/2"$ 3:1, BLACK	SEE FIGURE
6	G404-1/2	STRAIN RELIEF, $\phi 1/2"$ SCL, BLACK	SEE FIGURE
5	F702-2	RUGGEDIZING SPRING W/BUE JACKET	SEE FIGURE
4	SEE TABLE	RUGGEDIZED BACKBODY	SEE FIGURE
3	050-XXXX-XXX	CONNECTOR "B"	SEE FIGURE
2	050-XXXX-XXX	CONNECTOR "A"	SEE FIGURE
1	421-010	TRUE BLUE 205 $\phi .204"$	SEE TABLE

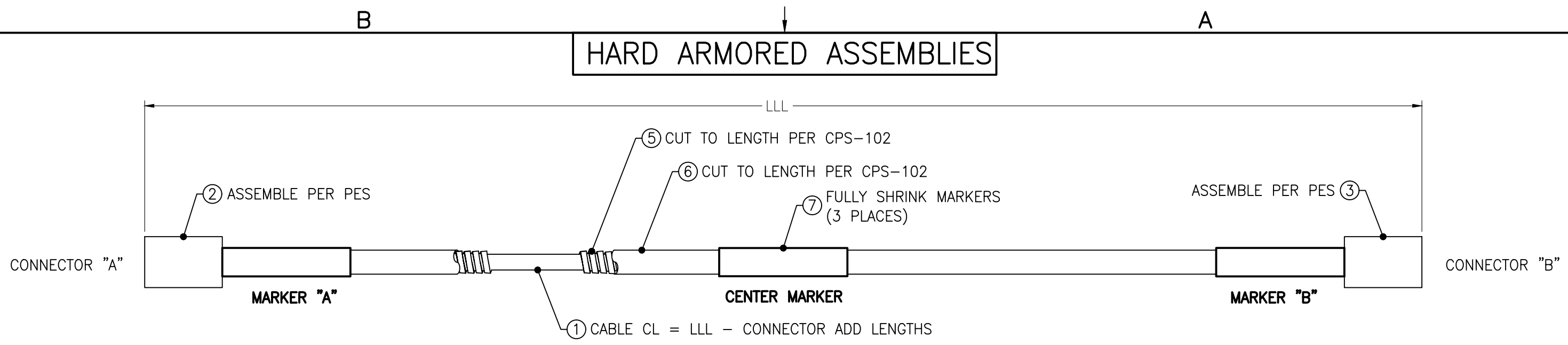
PARTS LIST OR LIST OF MATERIAL

ENGINEERING:	TELEDYNE STORM MICROWAVE Everywhere you look	10221 WERCH DR. Woodridge, IL. 60517 www.stormproducts.com	
MANUFACTURING ENGINEER:		TITLE: TB205 ASSEMBLY TABLE	
MANUFACTURING:	DRAWING SIZE: B SCALE: N/A PAGE: 6 of 14		REVISION LEVEL: BF
QUALITY:	DRAWING NUMBER: 90-934		

EXPORT CONTROL-EAR99

TELEDYNE STORM PROPRIETARY INFORMATION
THIS DOCUMENT CONTAINS PROPRIETARY INFORMATION AND, EXCEPT WITH PERMISSION FROM TELEDYNE STORM, SUCH INFORMATION SHALL NOT BE PUBLISHED OR DISCLOSED FOR ANY PURPOSE AND THE DOCUMENT SHALL NOT BE COPIED WHOLE OR IN PART.

HARD ARMORED ASSEMBLIES



MARKER REQUIREMENTS:

MARKING TO BE 11pt CHARACTERS IN CONTRASTING COLOR ON ITEM 7 - SEE TABLES FOR MARKER TEXT

Assembly Length	Marker "A" (1.25" Long)	Center Marker	Marker "B" (1.25" Long)
$L \leq 10"$	TSM Logo A90-NNN(N)-LLL YYJJJ-XXX	N/A	TRUE BLUE® YYJJJ-XXX
Assembly Length	Marker "A" (2" Long)	Center Marker (2" Long)	Marker "B" (2" Long)
$10" < L < 120"$	TSP Logo	A90-NNN-LLL MFR-57500 YYJJJ-XXX	TRUE BLUE®
Assembly Length	Marker "A" (2" Long)	Center Marker 2 x (2" Long)	Marker "B" (2" Long)
$L \geq 120"$	TSP Logo	A90-NNN-LLL MFR-57500 YYJJJ-XXX	TRUE BLUE®

YYJJJ-XXX PER WI-5220

P/N CONVENTION:

A90-NNN(N)-LLL/DDD

NNN(N)=CONNECTOR CODE
LLL=LENGTH IN INCHES
DDD=CLOCKING (IN DEGREES)

EXAMPLES:

A 8" ASSEMBLY IS A90-014-008
A 8.5" ASSEMBLY IS A90-014-008.5
A 12.5" ASSEMBLY IS A90-014-012.5

NOTES:

DO NOT SHRINK BLUE RNF ON ASSEMBLIES > 50'
UNLESS THERE IS A NOTE ON THE S/O

	A Backbody	
Connector	050-2433-002	supplied with connector
	050-2436-002	
	050-2599-002	
	050-2598-002	
	050-2899-002	
	050-2900-002	DD-056P-08A
	50-064J	
	50-100J	
	50-141J	
	50-080J	
	50-084J	DD-088P-08A
	50-060P	
	50-072P	
	50-088P	
	50-096J	
50-183P	DD-092P-08A	
50-224P		
50-130H		
50-076P		
50-092P		

ITEM NO.	PART NUMBER	DESCRIPTION OR NOMENCLATURE	QTY. REQD.
7	200-0003-008	MARKER SLEEVE, $\phi 1/2"$ 3:1, BLACK	SEE FIGURE
6	200-0001-608	SHRINK TUBING, $\phi 1/2"$ RNF-100, BLUE	SEE FIGURE
5	F704	HARD ARMOR	SEE FIGURE
4	SEE TABLE	ARMORED BACKBODY	SEE FIGURE
3	050-XXXX-XXX	CONNECTOR "B"	SEE FIGURE
2	050-XXXX-XXX	CONNECTOR "A"	SEE FIGURE
1	421-010	TRUE BLUE 205 $\phi .204"$	SEE TABLE

PARTS LIST OR LIST OF MATERIAL

ENGINEERING:	TELEDYNE STORM MICROWAVE Everywhere you look™	10221 WERCH DR. Woodridge, IL. 60517 www.stormproducts.com	
MANUFACTURING ENGINEER:		TITLE: TB205 ASSEMBLY TABLE	
MANUFACTURING:	DRAWING SIZE: B SCALE: N/A PAGE: 7 of 14		
QUALITY:	DRAWING NUMBER: 90-934 REVISION LEVEL: BF		

EXPORT CONTROL-EAR99

TELEDYNE STORM PROPRIETARY INFORMATION
THIS DOCUMENT CONTAINS PROPRIETARY INFORMATION AND, EXCEPT WITH PERMISSION FROM TELEDYNE STORM, SUCH INFORMATION SHALL NOT BE PUBLISHED OR DISCLOSED FOR ANY PURPOSE AND THE DOCUMENT SHALL NOT BE COPIED WHOLE OR IN PART.

B


A

Table 1	050-2899-00X SMA SP	50-060P SMA RAP	50-064J SMA BFJ	050-2900-00X SMA SJ	50-072P TNC SP	50-076P TNC RAP	50-080J TNC BFJ	50-084J TNC SJ	50-088P N SP	50-092P N RAP	50-096J N BFJ	50-100J N SJ	050-2433-00X 3.5mm SP	50-130H APC-7	50-134P BNC SP	50-141J SMA RAI	50-162J N FMJ	50-164P SC SP	50-183P TNC SP	50-224P SMA RAP	50-340P SMA SP	50-342P N SP	50-345J SMA RAI	50-346P SMA RAP	050-2436-00X 3.5mm SJ	050-2598-00X K SP	50-570P TNC RAP	50-571P N RAP	50-171-15 MID-BODY	50-670P TNC HEAD	50-677-15 MID-BODY	050-2599-001 K SJ			
050-2899-00X SMA SP	1827																			981															
50-060P SMA RAP		067	265	261	242	271	238	1017 2422	264	272	255	266	2399	346	487	256	293 1181				066			1125 1230	2408										
50-064J SMA BFJ			080	986	2432	2433	2437	2434	843	844	1210 2436	2435	2401	2391	1269 2472						096				2410										
050-2900-00X SMA SJ				079	1238 1244 2424	2425	2430	2426	407 2427	274	2429	1083 2428	1186 2400	313	2471	713	408				095		1178	893	2409										
50-072P TNC SP					081	086	087	085	094	226	227	2447	696	240	716 2473			1282			097				2412			719							
50-076P TNC RAP						083	537 1089	2448	718	823	1255 2450	1257 2449	2403	2393	2474		1277				099				2413										
50-080J TNC BFJ							084	2453	2454	2455	2458	2457	2407	2398	2480						100				2419										
50-084J TNC SJ								082	340	2451		2452	697	2394	2475						098				2414										
50-088P N SP									088 975	076	093	092	348 692	247	1034 2476		717	056 534			077				1122 2415										
50-092P N RAP										090	186 576	273	2404	2395	2477						102				2416										
50-096J N BFJ											091	1137 2456	2406	2397	2479						103				2418										
50-100J N SJ												089	2405	2396	2478						101				2417										
050-2433-00X 3.5mm SP													221	245 1824	694						246			2487	660										
50-130H APC-7														222	2469						491			1020	2390										
50-134P BNC SP															664						693				2470										
50-141J SMA RAI																267					257														
50-162J N FMJ																					409														
50-164P SC SP																		533			443														
50-183P TNC SP																																			
50-224P SMA RAP																						2639													
50-340P SMA SP																					010		2523	889 1524	824		243								
50-342P N SP																							1121												
50-345J SMA RAI																																			
50-346P SMA RAP																									960										
050-2436-00X 3.5mm SJ																									962										
050-2598-00X K SP																										939									
50-570P TNC RAP																																			
50-571P N RAP																																			
50-171-15 MID-BODY																																			
50-670P TNC HEAD																																			
50-677-15 MID-BODY																																			
050-2599-001 K SJ																																			940

TABLE 1
TB-205 CONNECTOR COMBINATIONS 90-NNN(N)-LLL
FOR ENGINEERING USE ONLY

EXPORT CONTROL-EAR99

TELEDYNE STORM PROPRIETARY INFORMATION
THIS DOCUMENT CONTAINS PROPRIETARY INFORMATION AND, EXCEPT WITH PERMISSION FROM
TELEDYNE STORM, SUCH INFORMATION SHALL NOT BE PUBLISHED OR DISCLOSED FOR ANY
PURPOSE AND THE DOCUMENT SHALL NOT BE COPIED WHOLE OR IN PART.

 TELEDYNE STORM MICROWAVE Everywhere you look	10221 WERCH DR. Woodridge, IL. 60517 www.stormproducts.com	
	TITLE: TB205 ASSEMBLY TABLE	
DRAWING SIZE: B	SCALE: N/A	PAGE: 8 of 14
DRAWING NUMBER: 90-934	REVISION LEVEL: BF	

B

A

Table 2
Connector Combinations (See Table 1)

Part Number	Connector "A"	Connector "B"	Comment
90-010 -LLL	50-340P SMA SP	50-340P SMA SP	050-2899-XYZ PER NOTE#3
90-056 -LLL	50-088P N SP	50-164P SC SP	
90-066 -LLL	50-340P SMA SP	50-060P SMA RAP	050-2899-XYZ PER NOTE#3
90-067 -LLL	50-060P SMA RAP	50-060P SMA RAP	
90-076 -LLL	50-088P N SP	50-092P N RAP	
90-077 -LLL	50-340P SMA SP	50-088P N SP	050-2899-XYZ PER NOTE#3
90-079 -LLL	050-2900-00X SMA SJ	050-2900-00X SMA SJ	
90-080 -LLL	50-064J SMA BFJ	50-064J SMA BFJ	
90-081 -LLL	50-072P TNC SP	50-072P TNC SP	
90-082 -LLL	50-084J TNC SJ	50-084J TNC SJ	
90-083 -LLL	50-076P TNC RAP	50-076P TNC RAP	
90-084 -LLL	50-080J TNC BFJ	50-080J TNC BFJ	
90-085 -LLL	50-072P TNC SP	50-084J TNC SJ	
90-086 -LLL	50-072P TNC SP	50-076P TNC RAP	
90-087 -LLL	50-072P TNC SP	50-080J TNC BFJ	
90-088 -LLL	50-088P N SP	50-088P N SP	
90-089 -LLL	50-100J N SJ	50-100J N SJ	
90-090 -LLL	50-092P N RAP	50-092P N RAP	
90-091 -LLL	50-096J N BFJ	50-096J N BFJ	
90-092 -LLL	50-088P N SP	50-100J N SJ	
90-093 -LLL	50-088P N SP	50-096J N BFJ	
90-094 -LLL	50-072P TNC SP	50-088P N SP	
90-095 -LLL	50-340P SMA SP	050-2900-00X SMA SJ	050-2899-XYZ PER NOTE#3
90-096 -LLL	50-340P SMA SP	50-064J SMA BFJ	050-2899-XYZ PER NOTE#3
90-097 -LLL	50-340P SMA SP	50-072P TNC SP	050-2899-XYZ PER NOTE#3
90-098 -LLL	50-340P SMA SP	50-084J TNC SJ	050-2899-XYZ PER NOTE#3

Part Number	Connector "A"	Connector "B"	Comment
90-099 -LLL	50-340P SMA SP	50-076P TNC RAP	050-2899-XYZ PER NOTE#3
90-100 -LLL	50-340P SMA SP	50-080J TNC BFJ	050-2899-XYZ PER NOTE#3
90-101 -LLL	50-340P SMA SP	50-100J N SJ	050-2899-XYZ PER NOTE#3
90-102 -LLL	50-340P SMA SP	50-092P N RAP	050-2899-XYZ PER NOTE#3
90-103 -LLL	50-340P SMA SP	50-096J N BFJ	050-2899-XYZ PER NOTE#3
90-186 -LLL	50-096J N BFJ	50-092P N RAP	
90-221 -LLL	050-2433-00X 3.5mm SP	050-2433-00X 3.5mm SP	
90-222 -LLL	50-130H APC-7	50-130H APC-7	
90-226 -LLL	50-072P TNC SP	50-092P N RAP	
90-227 -LLL	50-072P TNC SP	50-096J N BFJ	
90-238 -LLL	50-080J TNC BFJ	50-060P SMA RAP	
90-240 -LLL	50-072P TNC SP	50-130H APC-7	
90-242 -LLL	50-072P TNC SP	50-060P SMA RAP	
90-243 -LLL	50-340P SMA SP	50-570P TNC RAP	050-2899-XYZ PER NOTE#3
90-245 -LLL	050-2433-00X 3.5mm SP	50-130H APC-7	
90-246 -LLL	50-340P SMA SP	050-2433-00X 3.5mm SP	050-2899-XYZ PER NOTE#3
90-247 -LLL	50-088P N SP	50-130H APC-7	
90-249 -LLL	50-088P N SP	SMA BFJ 5/8"	Note 1
90-255 -LLL	50-060P SMA RAP	50-096J N BFJ	
90-256 -LLL	50-060P SMA RAP	50-141J SMA RAJ	
90-257 -LLL	50-340P SMA SP	50-141J SMA RAJ	050-2899-XYZ PER NOTE#3
90-260 -LLL	50-340P SMA SP	50-142J TBD	Note 1
90-261 -LLL	050-2900-00X SMA SJ	50-060P SMA RAP	
90-264 -LLL	50-060P SMA RAP	50-088P N SP	
90-265 -LLL	50-064J SMA BFJ	50-060P SMA RAP	
90-266 -LLL	50-060P SMA RAP	50-100J N SJ	


Part Number	Connector "A"	Connector "B"	Comment
90-267 -LLL	50-141J SMA RAJ	50-141J SMA RAJ	
90-271 -LLL	50-060P SMA RAP	50-076P TNC RAP	
90-272 -LLL	50-060P SMA RAP	50-092P N RAP	
90-273 -LLL	50-100J N SJ	50-092P N RAP	
90-274 -LLL	050-2900-00X SMA SJ	50-092P N RAP	
90-293 -LLL	50-060P SMA RAP	50-162J N FMJ	
90-313 -LLL	050-2900-00X SMA SJ	50-130H APC-7	
90-340 -LLL	50-084J TNC SJ	50-088P N SP	
90-346 -LLL	50-060P SMA RAP	50-130H APC-7	
90-348 -LLL	050-2433-00X 3.5mm SP	50-088P N SP	
90-407 -LLL	050-2900-00X SMA SJ	50-088P N SP	
90-408 -LLL	050-2900-00X SMA SJ	50-162J N FMJ	
90-409 -LLL	50-340P SMA SP	50-162J N FMJ	050-2899-XYZ PER NOTE#3
90-443 -LLL	50-340P SMA SP	50-164P SC SP	050-2899-XYZ PER NOTE#3
90-486 -LLL	50-340P SMA SP	BNC RAP	Note 1
90-487 -LLL	50-060P SMA RAP	50-134P BNC SP	
90-488 -LLL	BNC RAP	BNC RAP	Note 1
90-491 -LLL	50-340P SMA SP	50-130H APC-7	050-2899-XYZ PER NOTE#3
90-533 -LLL	50-164P SC SP	50-164P SC SP	
90-534 -LLL	50-088P N SP	50-164P SC SP	
90-537 -LLL	50-080J TNC BFJ	50-076P TNC RAP	
90-576 -LLL	50-092P N RAP	50-096J N BFJ	
90-660 -LLL	050-2433-00X 3.5mm SP	050-2436-00X 3.5mm SJ	
90-664 -LLL	50-134P BNC SP	50-134P BNC SP	
90-692 -LLL	50-088P N SP	050-2433-00X 3.5mm SP	
90-693 -LLL	50-340P SMA SP	50-134P BNC SP	050-2899-XYZ PER NOTE#3

Part Number	Connector "A"	Connector "B"	Comment
90-694 -LLL	050-2433-00X 3.5mm SP	50-134P BNC SP	
90-695 -LLL	050-2433-00X 3.5mm SP	BNC SJ	Note 1
90-696 -LLL	050-2433-00X 3.5mm SP	50-072P TNC SP	
90-697 -LLL	050-2433-00X 3.5mm SP	50-084J TNC SJ	
90-713 -LLL	050-2900-00X SMA SJ	50-141J SMA RAJ	
90-716 -LLL	50-072P TNC SP	50-134P BNC SP	
90-717 -LLL	50-088P N SP	50-162J N FMJ	
90-718 -LLL	50-088P N SP	50-076P TNC RAP	
90-719 -LLL	50-072P TNC SP	50-571P N RAP	
90-823 -LLL	50-076P TNC RAP	50-092P N RAP	
90-824 -LLL	50-340P SMA SP	050-2436-00X 3.5mm SJ	
90-843 -LLL	50-064J SMA BFJ	50-088P N SP	
90-844 -LLL	50-064J SMA BFJ	50-092P N RAP	
90-889 -LLL	50-340P SMA SP	50-346P SMA RAP	050-2899-XYZ PER NOTE#3
90-893 -LLL	050-2900-00X SMA SJ	50-346P SMA RAP	
90-939 -LLL	050-2598-00X SMK SP	050-2598-00X SMK SP	
90-940 -LLL	050-2599-00X SMK J	050-2599-00X SMK SJ	
90-960 -LLL	50-346P SMA RAP	50-346P SMA RAP	
90-962 -LLL	050-2436-00X 3.5mm SJ	050-2436-00X 3.5mm SJ	
90-975 -LLL	50-088P N SP	50-088P N SP	Note 2
90-981 -LLL	050-2899-00X SMA SP	50-224P SMA RAP	
90-986 -LLL	50-064J SMA BFJ	050-2900-001 SMA SJ	
90-1017 -LLL	50-084J TNC SJ	50-060P SMA RAP	
90-1020 -LLL	50-130H APC-7	50-346P SMA RAP	
90-1034 -LLL	50-088P N SP	50-134P BNC SP	
90-1083 -LLL	50-100J N SJ	050-2900-00X SMA SJ	

EXPORT CONTROL-EAR99

TELEDYNE STORM PROPRIETARY INFORMATION
THIS DOCUMENT CONTAINS PROPRIETARY INFORMATION AND, EXCEPT WITH PERMISSION FROM TELEDYNE STORM, SUCH INFORMATION SHALL NOT BE PUBLISHED OR DISCLOSED FOR ANY PURPOSE AND THE DOCUMENT SHALL NOT BE COPIED WHOLE OR IN PART.

CONNECTOR COMBINATION TABLE
(CONTINUED IN NEXT PAGE)

 **TELEDYNE STORM MICROWAVE**
Everywhere you look®

10221 WERCH DR.
Woodridge, IL. 60517
www.stormproducts.com

TITLE: TB205 ASSEMBLY TABLE

DRAWING SIZE: B | SCALE: N/A | PAGE: 9 of 14

DRAWING NUMBER: 90-934 | REVISION LEVEL: BF

B

A

B

A

Table 2
Connector Combinations (See Table 1)

Part Number	Connector "A"	Connector "B"	Comment
90- 1089 -LLL	50-080J TNC BFJ	50-076P TNC RAP	
90- 1121 -LLL	50-342P N SP	50-342P N SP	
90- 1122 -LLL	50-088P N SP	050-2436-00X 3.5mm SJ	
90- 1125 -LLL	50-060P SMA RAP	50-346P SMA RAP	
90- 1137 -LLL	50-096J N BFJ	50-100J N SJ	
90- 1178 -LLL	50-345J SMA RAJ	050-2900-00X SMA SJ	
90- 1181 -LLL	50-060P SMA RAP	50-162J N FMJ	
90- 1186 -LLL	050-2433-00X 3.5mm SP	050-2900-00X SMA SJ	
90- 1210 -LLL	50-096J N BFJ	50-064J SMA BFJ	
90- 1230 -LLL	50-346P SMA RAP	50-060P SMA RAP	
90- 1238 -LLL	50-072P TNC SP	050-2900-00X SMA SJ	
90- 1244 -LLL	50-072P TNC SP	050-2900-00X SMA SJ	
90- 1255 -LLL	50-096J N BFJ	50-076P TNC RAP	
90- 1257 -LLL	50-096J N BFJ	50-100J N SJ	
90- 1269 -LLL	50-134P BNC SP	50-064J SMA BFJ	
90- 1277 -LLL	50-076P TNC RAP	50-162J N FMJ	
90- 1282 -LLL	50-164P SC SP	50-072P TNC SP	
90- 1327 -LLL	50-088P N SP	50-677-15 MID-BODY	50-670P TNC HEAD
90- 1524 -LLL	50-340P SMA SP	50-346P SMA RAP	050-2899-XYZ PER NOTE#3
90- 1824 -LLL	050-2433-00X 3.5mm SP	50-130H APC-7	
90- 1827 -LLL	050-2899-001 SMA-SP	050-2899-001 SMA-SP	
90- 2390 -LLL	050-2436-00X 3.5mm SJ	50-130H APC-7	
90- 2391 -LLL	50-130H APC-7	50-064J SMA BFJ	
90- 2393 -LLL	50-130H APC-7	50-076P TNC RAP	
90- 2394 -LLL	50-130H APC-7	50-084J TNC SJ	
90- 2395 -LLL	50-130H APC-7	50-092P N RAP	

Part Number	Connector "A"	Connector "B"	Comment
90- 2396 -LLL	50-130H APC-7	50-100J N SJ	
90- 2397 -LLL	50-130H APC-7	50-096J N BFJ	
90- 2398 -LLL	50-130H APC-7	50-080J TNC BFJ	
90- 2399 -LLL	050-2433-00X 3.5mm SP	50-060P SMA RAP	
90- 2400 -LLL	050-2433-00X 3.5mm SP	050-2900-00X SMA SJ	
90- 2401 -LLL	050-2433-00X 3.5mm SP	50-064J SMA BFJ	
90- 2403 -LLL	050-2433-00X 3.5mm SP	50-076P TNC RAP	
90- 2404 -LLL	050-2433-00X 3.5mm SP	50-092P N RAP	
90- 2405 -LLL	050-2433-00X 3.5mm SP	50-100J N SJ	
90- 2406 -LLL	050-2433-00X 3.5mm SP	50-096J N BFJ	
90- 2407 -LLL	050-2433-00X 3.5mm SP	50-080J TNC BFJ	
90- 2408 -LLL	050-2436-00X 3.5mm SJ	50-060P SMA RAP	
90- 2409 -LLL	050-2436-00X 3.5mm SJ	050-2900-00X SMA SJ	
90- 2410 -LLL	050-2436-00X 3.5mm SJ	50-064J SMA BFJ	
90- 2412 -LLL	050-2436-00X 3.5mm SJ	50-072P TNC SP	
90- 2413 -LLL	050-2436-00X 3.5mm SJ	50-076P TNC RAP	
90- 2414 -LLL	050-2436-00X 3.5mm SJ	50-084J TNC SJ	
90- 2415 -LLL	050-2436-00X 3.5mm SJ	50-088P N SP	
90- 2416 -LLL	050-2436-00X 3.5mm SJ	50-092P N RAP	
90- 2417 -LLL	050-2436-00X 3.5mm SJ	50-100J N SJ	
90- 2418 -LLL	050-2436-00X 3.5mm SJ	50-096J N BFJ	
90- 2419 -LLL	050-2436-00X 3.5mm SJ	50-080J TNC BFJ	
90- 2422 -LLL	50-060P SMA RAP	50-084J TNC SJ	
90- 2424 -LLL	050-2900-00X SMA SJ	50-072P TNC SP	
90- 2425 -LLL	050-2900-00X SMA SJ	50-076P TNC RAP	
90- 2426 -LLL	050-2900-00X SMA SJ	50-084J TNC SJ	


Part Number	Connector "A"	Connector "B"	Comment
90- 2427 -LLL	050-2900-00X SMA SJ	50-088P N SP	
90- 2428 -LLL	050-2900-00X SMA SJ	50-100J N SJ	
90- 2429 -LLL	050-2900-00X SMA SJ	50-096J N BFJ	
90- 2430 -LLL	050-2900-00X SMA SJ	50-080J TNC BFJ	
90- 2432 -LLL	50-064J SMA BFJ	50-072P TNC SP	
90- 2433 -LLL	50-064J SMA BFJ	50-076P TNC RAP	
90- 2434 -LLL	50-064J SMA BFJ	50-084J TNC SJ	
90- 2435 -LLL	50-064J SMA BFJ	50-100J N SJ	
90- 2436 -LLL	50-064J SMA BFJ	50-096J N BFJ	
90- 2437 -LLL	50-064J SMA BFJ	50-080J TNC BFJ	
90- 2447 -LLL	50-100J N SJ	50-072P TNC SP	
90- 2448 -LLL	50-076P TNC RAP	50-084J TNC SJ	
90- 2449 -LLL	50-100J N SJ	50-076P TNC RAP	
90- 2450 -LLL	50-096J N BFJ	50-076P TNC RAP	
90- 2451 -LLL	50-092P N RAP	50-084J TNC SJ	
90- 2452 -LLL	50-100J N SJ	50-084J TNC SJ	
90- 2453 -LLL	50-084J TNC SJ	50-080J TNC BFJ	
90- 2454 -LLL	50-088P N SP	50-080J TNC BFJ	
90- 2455 -LLL	50-092P N RAP	50-080J TNC BFJ	
90- 2456 -LLL	50-100J N SJ	50-096J N BFJ	
90- 2457 -LLL	50-100J N SJ	50-080J TNC BFJ	
90- 2458 -LLL	50-096J N BFJ	50-080J TNC BFJ	
90- 2469 -LLL	50-130H APC-7	50-134P BNC SP	
90- 2470 -LLL	050-2436-00X 3.5mm SJ	50-134P BNC SP	
90- 2471 -LLL	050-2900-00X SMA SJ	50-134P BNC SP	
90- 2472 -LLL	50-064J SMA BFJ	50-134P BNC SP	

Part Number	Connector "A"	Connector "B"	Comment
90- 2473 -LLL	50-072P TNC SP	50-134P BNC SP	
90- 2474 -LLL	50-076P TNC RAP	50-134P BNC SP	
90- 2475 -LLL	50-084J TNC SJ	50-134P BNC SP	
90- 2476 -LLL	50-088P N SP	50-134P BNC SP	
90- 2477 -LLL	50-092P N RAP	50-134P BNC SP	
90- 2478 -LLL	50-100J N SJ	50-134P BNC SP	
90- 2479 -LLL	50-096J N BFJ	50-134P BNC SP	
90- 2480 -LLL	50-080J TNC BFJ	50-134P BNC SP	
90- 2487 -LLL	050-2433-00X 3.5mm SP	50-346P SMA RAP	
90- 2523 -LLL	50-340P SMA SP	50-345J SMA RAJ	050-2899-XYZ PER NOTE#3
90- 2639 -LLL	50-340P SMA SP	50-224P SMA RAP	050-2899-XYZ PER NOTE#3
Note 1: These connectors need to be designed or redesigned before use			
Note 2: Substitute knurled coupling nut DD-342-02-2 for coupling nut DD-088-02-1			
Note 3: 050-2899-XYZ will be used as an alternative to 50-340P in following cases: 1) Cables using spring armor			
Removed 090-2006 (same as 90-2396)			

EXPORT CONTROL-EAR99

TELEDYNE STORM PROPRIETARY INFORMATION
THIS DOCUMENT CONTAINS PROPRIETARY INFORMATION AND, EXCEPT WITH PERMISSION FROM TELEDYNE STORM, SUCH INFORMATION SHALL NOT BE PUBLISHED OR DISCLOSED FOR ANY PURPOSE AND THE DOCUMENT SHALL NOT BE COPIED WHOLE OR IN PART.

CONNECTOR COMBINATION TABLE
(CONTINUED FROM PREVIOUS PAGE)



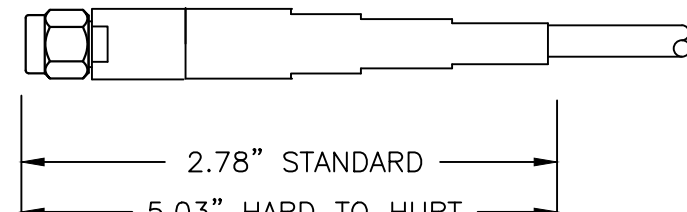
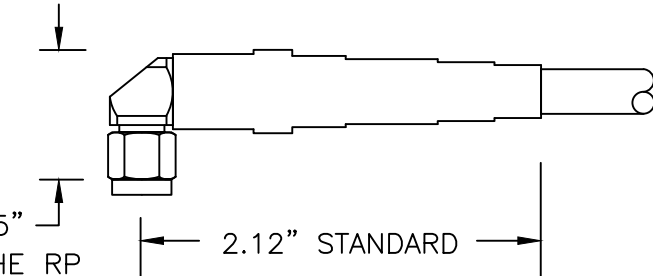
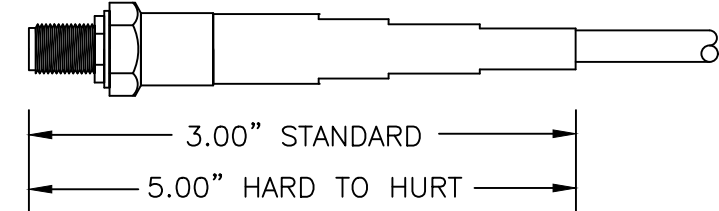
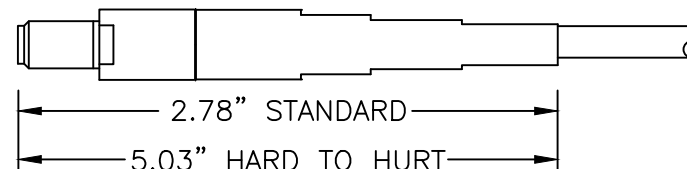
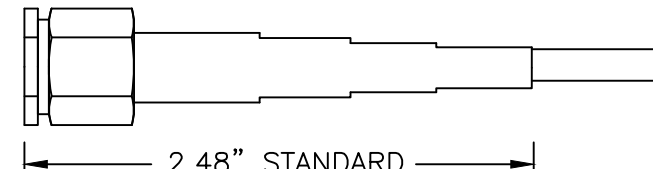
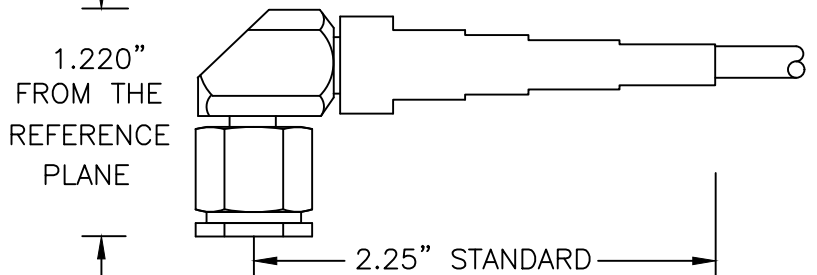
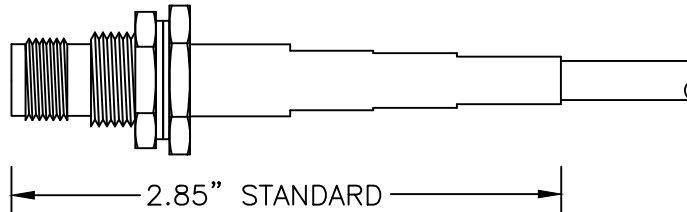

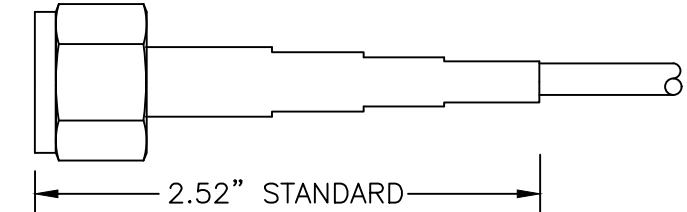
10221 WERCH DR.
Woodridge, IL. 60517
www.stormproducts.com

TITLE: TB205 ASSEMBLY TABLE

DRAWING SIZE: B	SCALE: N/A	PAGE: 10 of 14
DRAWING NUMBER: 90-934	REVISION LEVEL: BF	

B


A

<p style="text-align: center;">B</p> <p>050-2899-001 SMA-SP PES-2072 FREQUENCY LIMIT: 18 GHz</p>  <p>2.78" STANDARD 5.03" HARD TO HURT</p>	<p style="text-align: center;">↓</p> <p>50-060P SMA-RAP PES-367 FREQUENCY LIMIT: 18 GHz</p>  <p>.675" FROM THE RP 2.12" STANDARD</p> <p>HARD TO HURT STRAIN RELIEF NOT AVAILABLE</p>	<p style="text-align: center;">A</p> <p>50-064J SMA BFA JACK PES-380 FREQUENCY LIMIT: 18 GHz</p>  <p>3.00" STANDARD 5.00" HARD TO HURT</p>
<p>050-2900-001 SMA-SJ PES-2072 FREQUENCY LIMIT: 18 GHz</p>  <p>2.78" STANDARD 5.03" HARD TO HURT</p>	<p>50-072P TNC-SP PES-382 FREQUENCY LIMIT: 18 GHz</p>  <p>2.48" STANDARD</p> <p>HARD TO HURT STRAIN RELIEF NOT AVAILABLE</p>	<p>50-076P TNC-RAP PES-383 FREQUENCY LIMIT: 18 GHz</p>  <p>1.220" FROM THE REFERENCE PLANE 2.25" STANDARD</p> <p>HARD TO HURT STRAIN RELIEF NOT AVAILABLE</p>
<p>50-080J TNC-BFJ PES-384 FREQUENCY LIMIT: 18 GHz</p>  <p>2.85" STANDARD</p> <p>HARD TO HURT STRAIN RELIEF NOT AVAILABLE</p>	<p>50-084J TNC-SJ PES-385 FREQUENCY LIMIT: 18 GHz</p>  <p>AS 2.81" STANDARD</p> <p>HARD TO HURT STRAIN RELIEF NOT AVAILABLE</p>	<p>50-088P N-SP PES-386 FREQUENCY LIMIT: 18 GHz</p>  <p>2.52" STANDARD</p> <p>HARD TO HURT STRAIN RELIEF NOT AVAILABLE</p>

NOTE: DIMENSIONS ARE REFERENCE UNLESS OTHERWISE SPECIFIED

EXPORT CONTROL-EAR99

TELEDYNE STORM PROPRIETARY INFORMATION
THIS DOCUMENT CONTAINS PROPRIETARY INFORMATION AND, EXCEPT WITH PERMISSION FROM
TELEDYNE STORM, SUCH INFORMATION SHALL NOT BE PUBLISHED OR DISCLOSED FOR ANY
PURPOSE AND THE DOCUMENT SHALL NOT BE COPIED WHOLE OR IN PART.

 TELEDYNE STORM MICROWAVE Everywhere you look™	10221 WERCH DR. Woodridge, IL. 60517 www.stormproducts.com	
	TITLE: TB205 ASSEMBLY TABLE	
DRAWING SIZE: B	SCALE: N/A	PAGE: 11 of 14
DRAWING NUMBER: 90-934	REVISION LEVEL: BF	

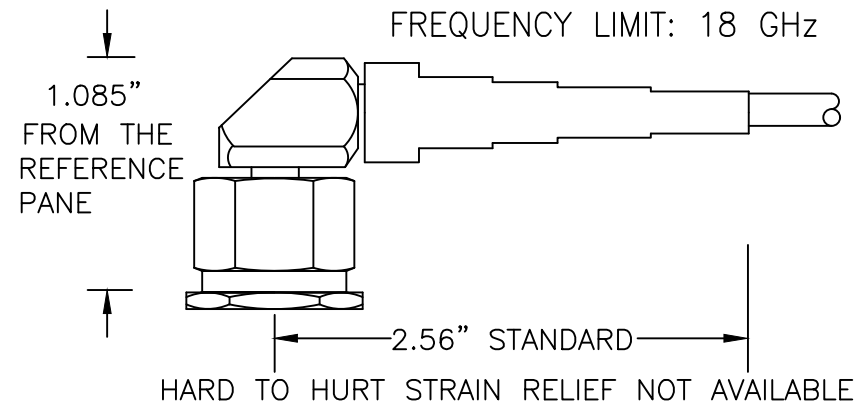
B

A

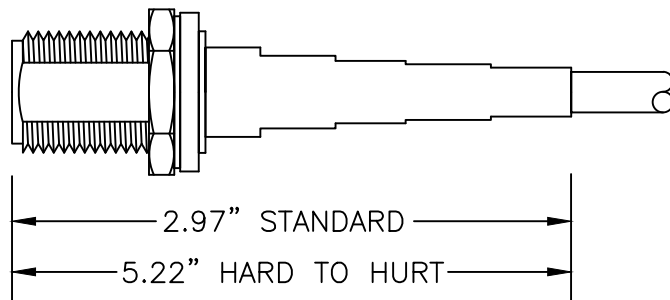
B

A

50-092P N-RAP PES-368
FREQUENCY LIMIT: 18 GHz



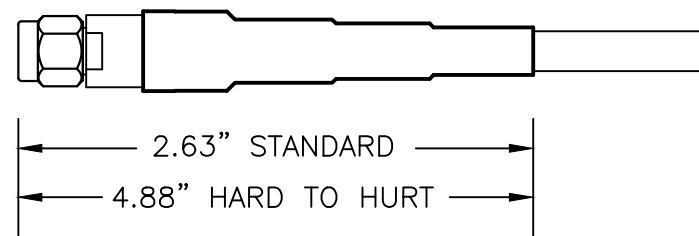
50-096J N - BFJ PES-369
FREQUENCY LIMIT: 18 GHz



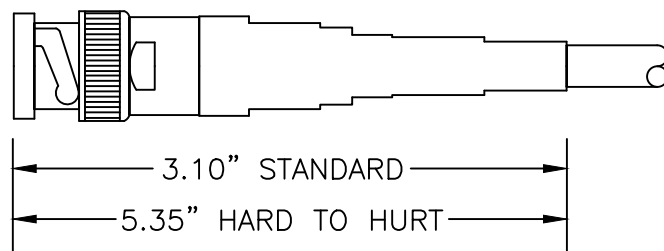
50-100J N-SJ PES-387
FREQUENCY LIMIT: 18 GHz



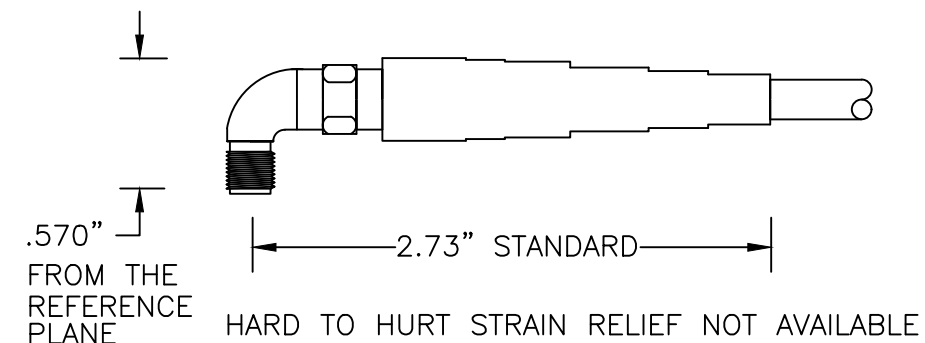
AU 050-2433-001 3.5MM-SP
PES-2000
FREQUENCY LIMIT: 26.5 GHz



50-134P BNC-SP PES-389
FREQUENCY LIMIT: 4 GHz



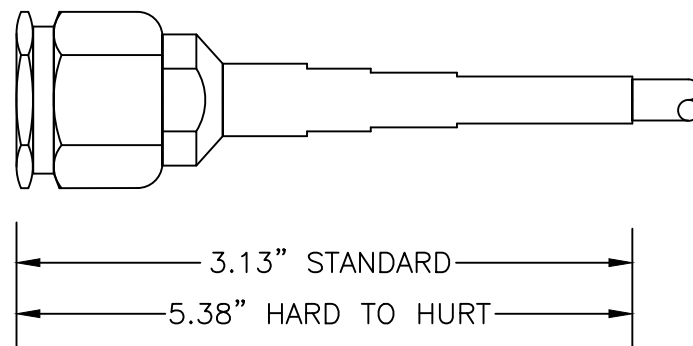
50-141J SMA-RAJ PES-390
FREQUENCY LIMIT: 18 GHz



50-162J N-SJ PES-391
N 4-HOLE FLANGE
FREQUENCY LIMIT: 18 GHz



50-164P SC-SP PES-392
FREQUENCY LIMIT: 8 GHz



50-171-15 PES-393
INTERCHANGEABLE MID BODY
FREQUENCY LIMIT: 18 GHz



NOTE: DIMENSIONS ARE REFERENCE UNLESS OTHERWISE SPECIFIED

EXPORT CONTROL-EAR99

TELEDYNE STORM PROPRIETARY INFORMATION
THIS DOCUMENT CONTAINS PROPRIETARY INFORMATION AND, EXCEPT WITH PERMISSION FROM
TELEDYNE STORM, SUCH INFORMATION SHALL NOT BE PUBLISHED OR DISCLOSED FOR ANY
PURPOSE AND THE DOCUMENT SHALL NOT BE COPIED WHOLE OR IN PART.



10221 WERCH DR.
Woodridge, IL. 60517
www.stormproducts.com

TITLE: TB205 ASSEMBLY TABLE

DRAWING SIZE: B SCALE: N/A PAGE: 12 of 14

DRAWING NUMBER: 90-934

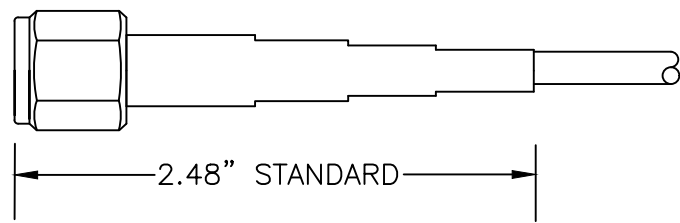
REVISION LEVEL: BF

B

A

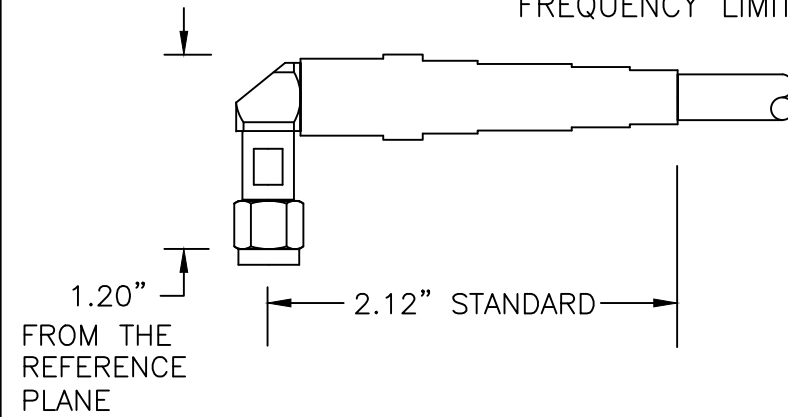
B

50-183P TNC-SP PES 394
MIL-C-39012/26 INTERFACE
FREQUENCY LIMIT: 16 GHz



HARD TO HURT STRAIN RELIEF NOT AVAILABLE

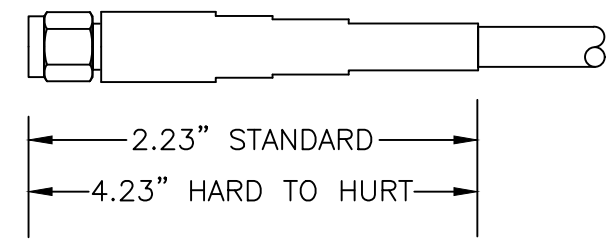
50-224P SMA-RAP PES-395
FREQUENCY LIMIT: 16 GHz



HARD TO HURT STRAIN RELIEF NOT AVAILABLE

A

50-340P SMA-SP PES-370
FREQUENCY LIMIT: 18 GHz

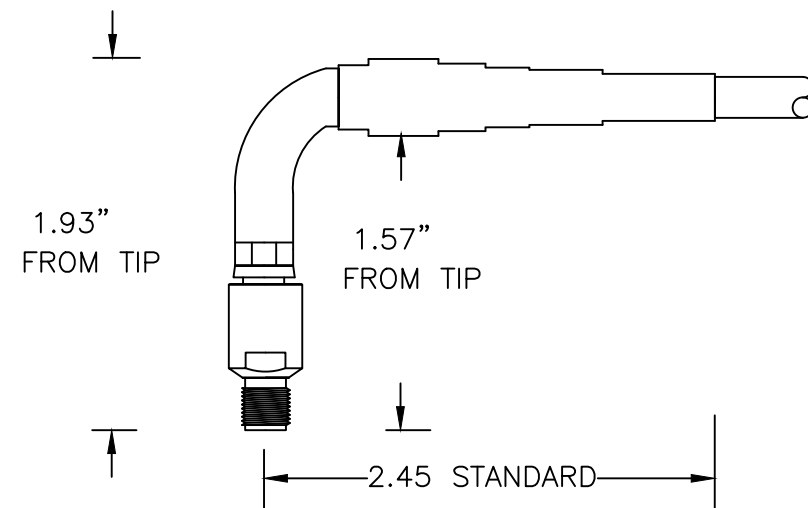


50-342P N-SP PES-63
MIL-C-39012/1 INTERFACE
FREQUENCY LIMIT: 12 GHz



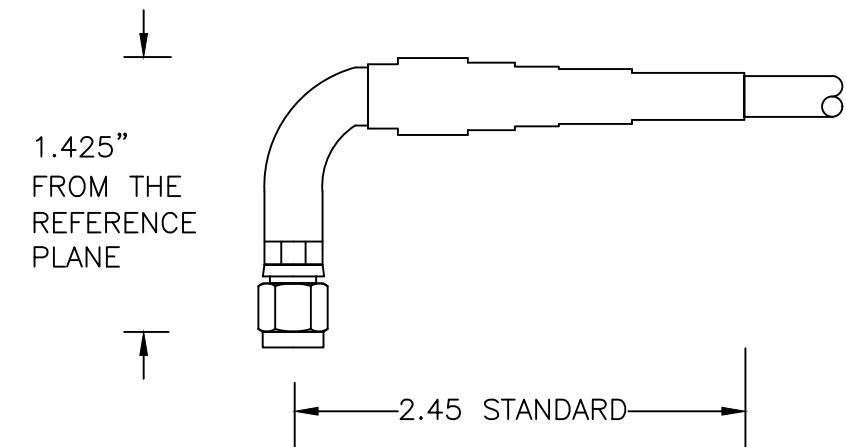
HARD TO HURT STRAIN RELIEF NOT AVAILABLE

50-345J SMA-EXTENDED RAJ
FREQUENCY LIMIT: 18 GHz



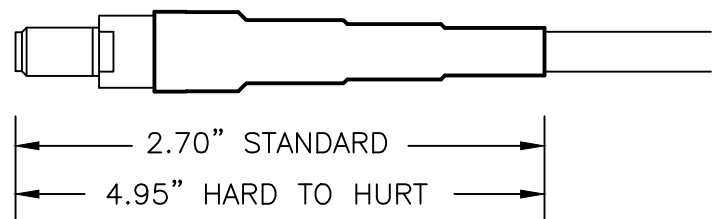
HARD TO HURT STRAIN RELIEF NOT AVAILABLE

50-346P SMA-EXTENDED RAP
PES-396
FREQUENCY LIMIT: 18 GHz



HARD TO HURT STRAIN RELIEF NOT AVAILABLE

AV 050-2436-001 3.5MM-SJ PES-2000
FREQUENCY LIMIT: 26.5 GHz



NOTE: DIMENSIONS ARE REFERENCE UNLESS OTHERWISE SPECIFIED



10221 WERCH DR.
Woodridge, IL. 60517
www.stormproducts.com

EXPORT CONTROL-EAR99

TELEDYNE STORM PROPRIETARY INFORMATION
THIS DOCUMENT CONTAINS PROPRIETARY INFORMATION AND, EXCEPT WITH PERMISSION FROM
TELEDYNE STORM, SUCH INFORMATION SHALL NOT BE PUBLISHED OR DISCLOSED FOR ANY
PURPOSE AND THE DOCUMENT SHALL NOT BE COPIED WHOLE OR IN PART.

TITLE: TB205 ASSEMBLY TABLE

DRAWING SIZE: B SCALE: N/A PAGE: 13 of 14

DRAWING NUMBER: 90-934

REVISION LEVEL: BF

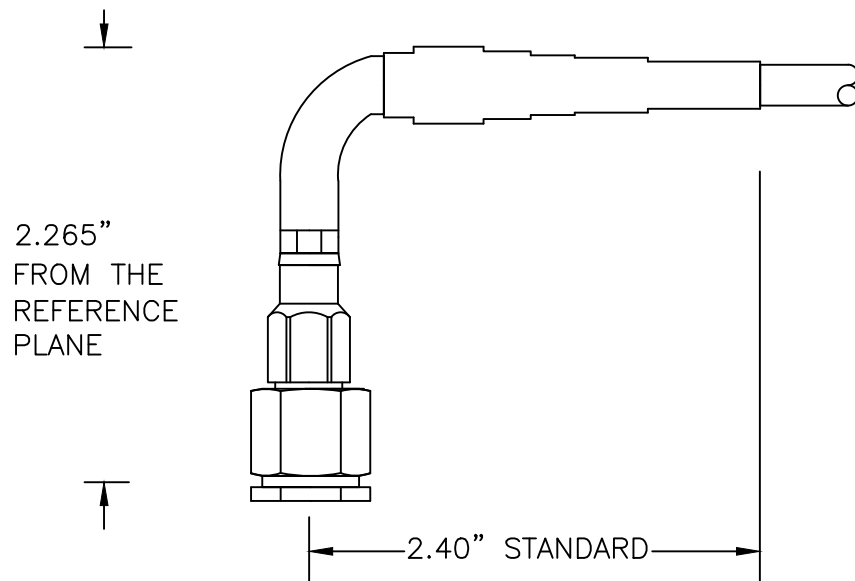
B

A

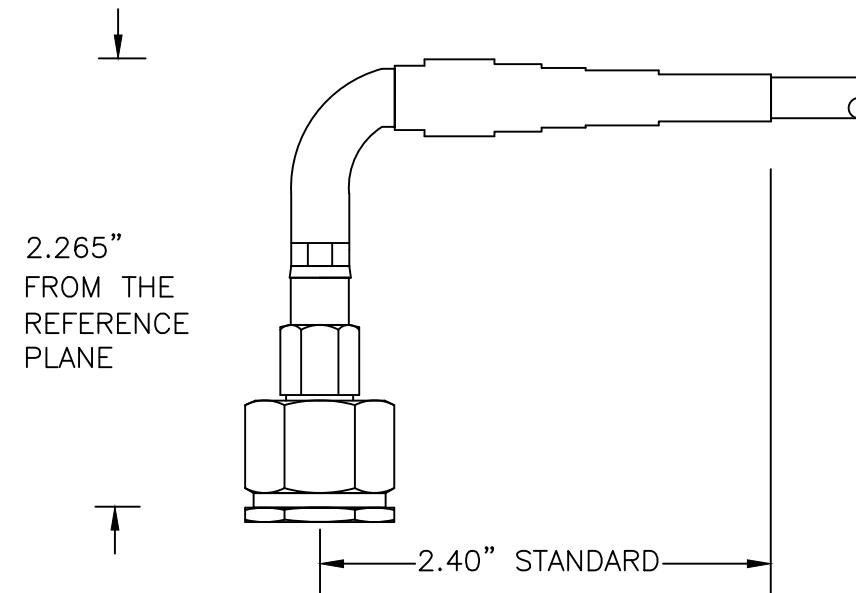
BE 050-2598-001 SMK-SP
PES-2037
FREQUENCY LIMIT: 26.5 GHz



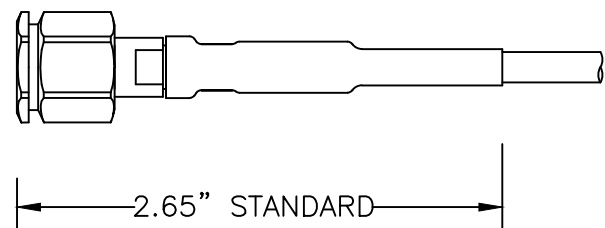
50-570P TNC EXTENDED RA PLUG
FREQUENCY LIMIT: 18.0 GHz



50-571P N EXTENDED RA PLUG
FREQUENCY LIMIT: 18.0 GHz



50-670P TNC INTERCHANGEABLE HEAD
FREQUENCY LIMIT: 18.0 GHz

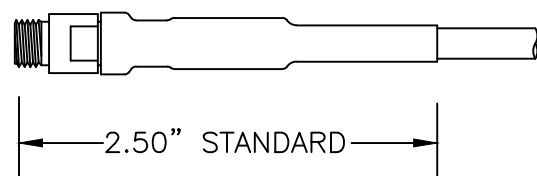


HARD TO HURT STRAIN RELIEF NOT AVAILABLE

HARD TO HURT STRAIN RELIEF NOT AVAILABLE

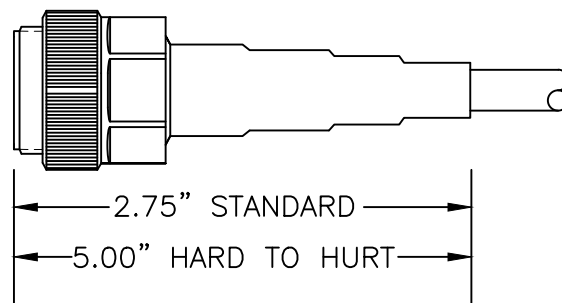
HARD TO HURT STRAIN RELIEF NOT AVAILABLE

50-677-15 INTERCHANGEABLE MID BODY
PES-547 FREQUENCY LIMIT: 18.0 GHz

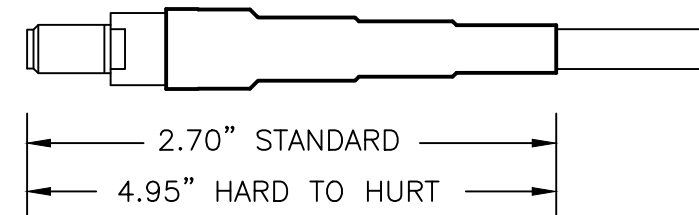


HARD TO HURT STRAIN RELIEF NOT AVAILABLE

50-130H APC-7 MM PES-671
FREQUENCY LIMIT: 18.0 GHz



BE 050-2599-001 SMK-SJ PES-2037
FREQUENCY LIMIT: 26.5 GHz



NOTE: DIMENSIONS ARE REFERENCE UNLESS OTHERWISE SPECIFIED

EXPORT CONTROL-EAR99

TELEDYNE STORM PROPRIETARY INFORMATION
THIS DOCUMENT CONTAINS PROPRIETARY INFORMATION AND, EXCEPT WITH PERMISSION FROM
TELEDYNE STORM, SUCH INFORMATION SHALL NOT BE PUBLISHED OR DISCLOSED FOR ANY
PURPOSE AND THE DOCUMENT SHALL NOT BE COPIED WHOLE OR IN PART.



10221 WERCH DR.
Woodridge, IL. 60517
www.stormproducts.com

TITLE: TB205 ASSEMBLY TABLE

DRAWING SIZE: B SCALE: N/A PAGE: 14 of 14

DRAWING NUMBER: 90-934

REVISION LEVEL: BF