

PART NUMBER	DESCRIPTION
CCR-53S	Commercial, Latching, SPDT, DC-26.5 GHz Coaxial Switch
CR-53S	Elite, Latching SPDT, DC-26.5GHz Coaxial Switch

The CCR-53S/CR-53S is a broadband, SPDT, electromechanical, coaxial switch designed to switch a microwave signal from a common input to either of two outputs. This series switch is offered with a latching actuator to switch between female SMA connectors. This design is compatible with the two most common mounting hole patterns. The CCR-53S/CR-53S series is the preferred switch when compared to the competition and offers a variety of value-added options to meet the needs of each of our customers demanding applications. Whether you are working in the lab on an ATE system or need a reliable switch that can handle a Hi-Rel Space environment, Teledyne Coax Switches has a solution for you.



ENVIRONMENTAL AND PHYSICAL CHARACTERISTICS	
Storage Temperature	-55°C to 90°C
Operating Temperature	
CCR-53S	-25°C to 65°C
CR-53S	-55°C to 85°C
CR-53S w/ indicator contacts	-45°C to 85°C
Vibration <sup>1</sup> , 10 ~ 2000 Hz, 300 s MIL-STD-202 Method 204, Condition C	10 G peak
Shock, Half-Sine Pulse MIL-STD-202 Method 213, Condition D	500 G peak
Moisture Resistance <sup>2</sup>	95% RH Non-condensing
Mechanical Life	5,000,000 cycles (min)
Mechanical Life w/ Additional Features	1,000,000 cycles (min)
Connector Type	SMA
Weight	1.65 oz. (46.78g approx)

ELECTRICAL CHARACTERISTICS	
RF Contacts	Break before make
Frequency Range	DC-26.5 GHz
Characteristic Impedance	50 Ohms
Terminations	50Ω, 2 Watts CW max
Operate Time	10 ms (max.)
Actuation Voltage (Vdc) 20°C	12 15 24 28 V
Actuation Current, max. @ ambient	140 170 90 65 mA
TTL Voltage/Current <sup>1</sup>	
Low Level (Logic 0)	0.0 ~ 0.7 V / 3.2 mA Max at 0.7 V
High Level (Logic 1)	2.4 ~ 5.5 V / 80 μA Max at 2.4 V
Indicator Contact Rating <sup>2</sup>	30 Vdc, 50 mA max
Magnetic Sensitivity	5 Gauss, 0.5 inch max

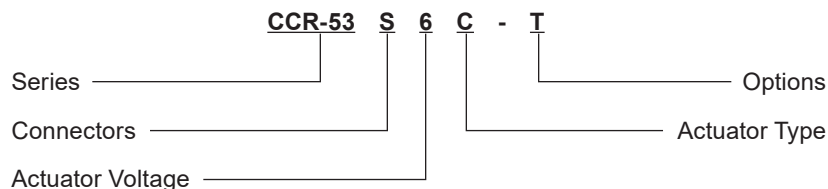
1. Non-operating
2. When moisture seal option is selected

1. For switches with TTL driver
2. For switches with indicator

RF PERFORMANCE CHARACTERISTICS						
Frequency	DC-3 GHz	3-6 GHz	6-12 GHz	12-18 GHz	18-22 GHz	22-26.5 GHz
Insertion Loss (max)	0.2 dB	0.2 dB	0.4 dB	0.5 dB	0.6 dB	0.7 dB
Isolation (min)	70 dB	70 dB	60 dB	60 dB	50 dB	50 dB
VSWR (max)	1.25:1	1.25:1	1.4:1	1.5:1	1.6:1	1.8:1

Please see charts on page 4.

### PART NUMBERING SYSTEM



**Connector**  
S: SMA Female

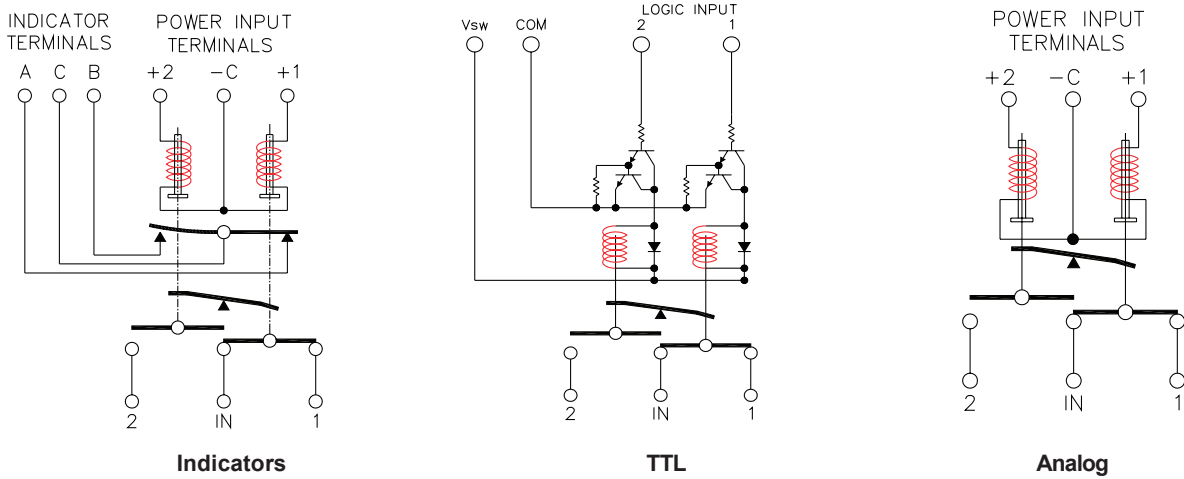
**Actuator Voltage**  
6: 28 Vdc Latching  
7: 15 Vdc Latching  
8: 12 Vdc Latching  
9: 24 Vdc Latching

**Actuator Type**  
0: Standard Contacts  
C: Indicator Contacts  
D: Self Cutoff Only  
E: Indicators and Self Cutoff

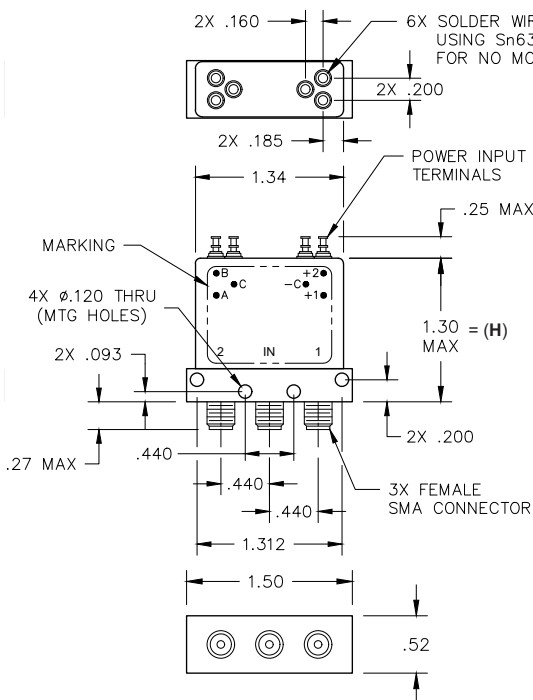
**Options**  
T: TTL Drivers with Diodes  
D: Transient Suppression Diodes  
R: Positive + Common  
N: Narrow Body  
M: Moisture Seal  
S: 9 Pin D-Sub Connector

For additional options and custom configurations, contact factory.

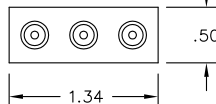
**SCHEMATICS AND MECHANICAL OUTLINE**



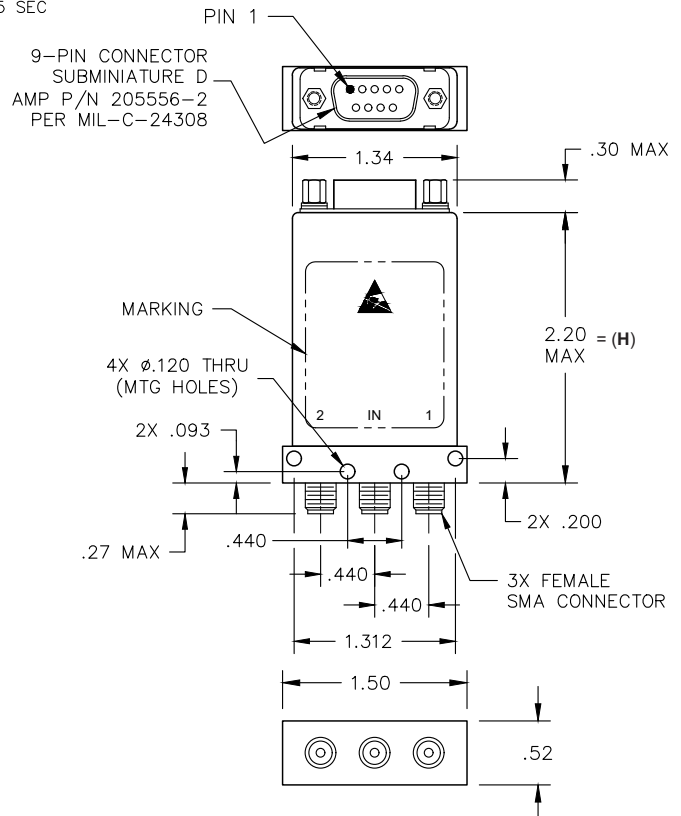
**Standard Width Body with Indicators**



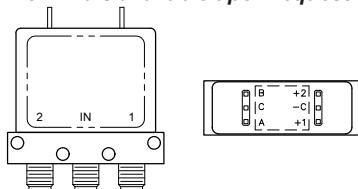
**Option "N" for Narrow Width Body**



**Standard Width Body with Indicators, TTL Driver, and D-Sub Connector**



**Pin Terminals available upon request**



\*Height (H) will change based on options selected

- H = 1.30 max for indicator or standard model
- H = 1.80 max with Self Cut-off or TTL option
- H = 2.20 max with D-Sub Connector and TTL

- Contact factory for additional model outlines

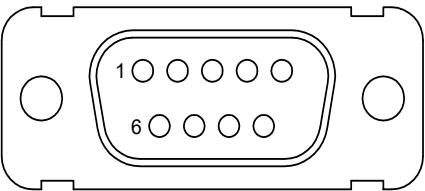
**TRUTH TABLES AND ELECTRICAL PINOUT**

**TRUTH TABLE (with TTL option)**

Logic Input		RF Path		Indicator (if applicable)	
1	2	IN to 1	IN to 2	A	B
0	0	No Change			
1	0	On	Off	C	0
0	1	Off	On	0	C
1	1	Forbidden			

**9 PIN D-SUB PINOUT FOR LATCHING SPDT**

OPTIONS				
Pin No.	Standard	Indicator	TTL	TTL + IND
1	POS 1	POS 1		
2	POS 2	POS 2		
3	COM	COM	COM	COM
4			TTL 1	TTL 1
5			TTL 2	TTL 2
6			Vsw	Vsw
7		IND 1 (A)		IND 1 (A)
8		IND 2 (B)		IND 2 (B)
9		IND COM (C)		IND COM (C)



**“-S OPTION” 9-PIN D-SUB CONNECTOR (Example: CCR-53S60-S)**

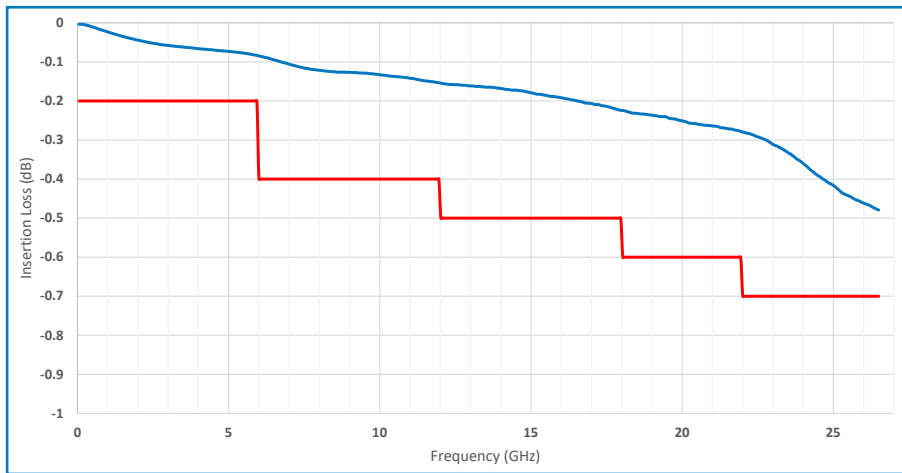
# Series CCR-53S/CR-53S

Miniature DC-26.5 GHz  
Latching SPDT Coaxial Switch

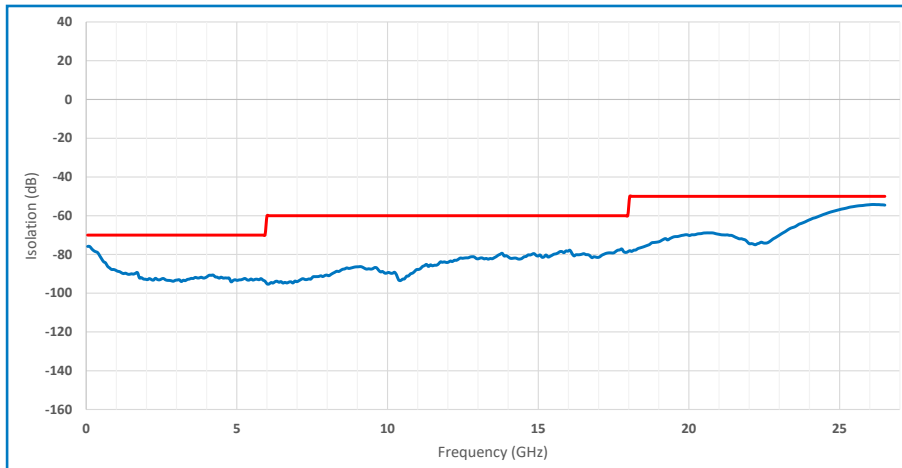


## RF PERFORMANCE CURVES

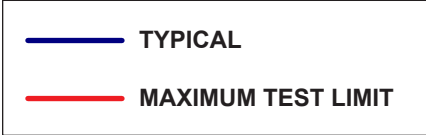
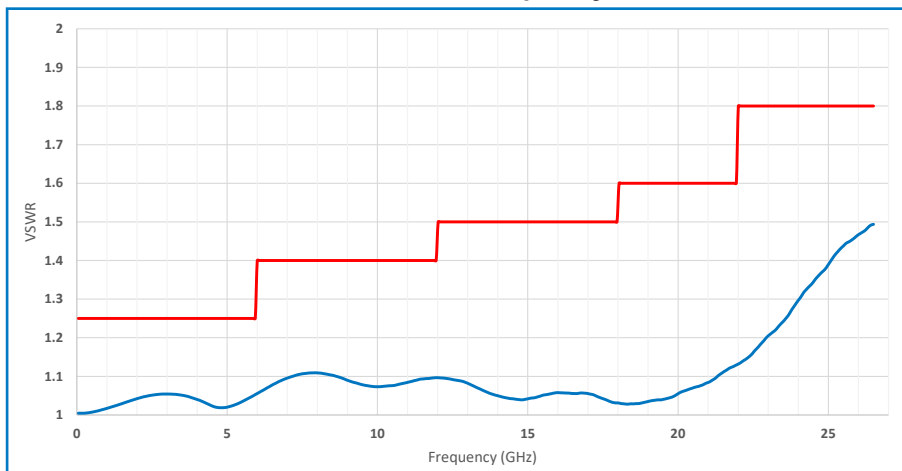
### Insertion Loss vs. Frequency



### Isolation vs. Frequency

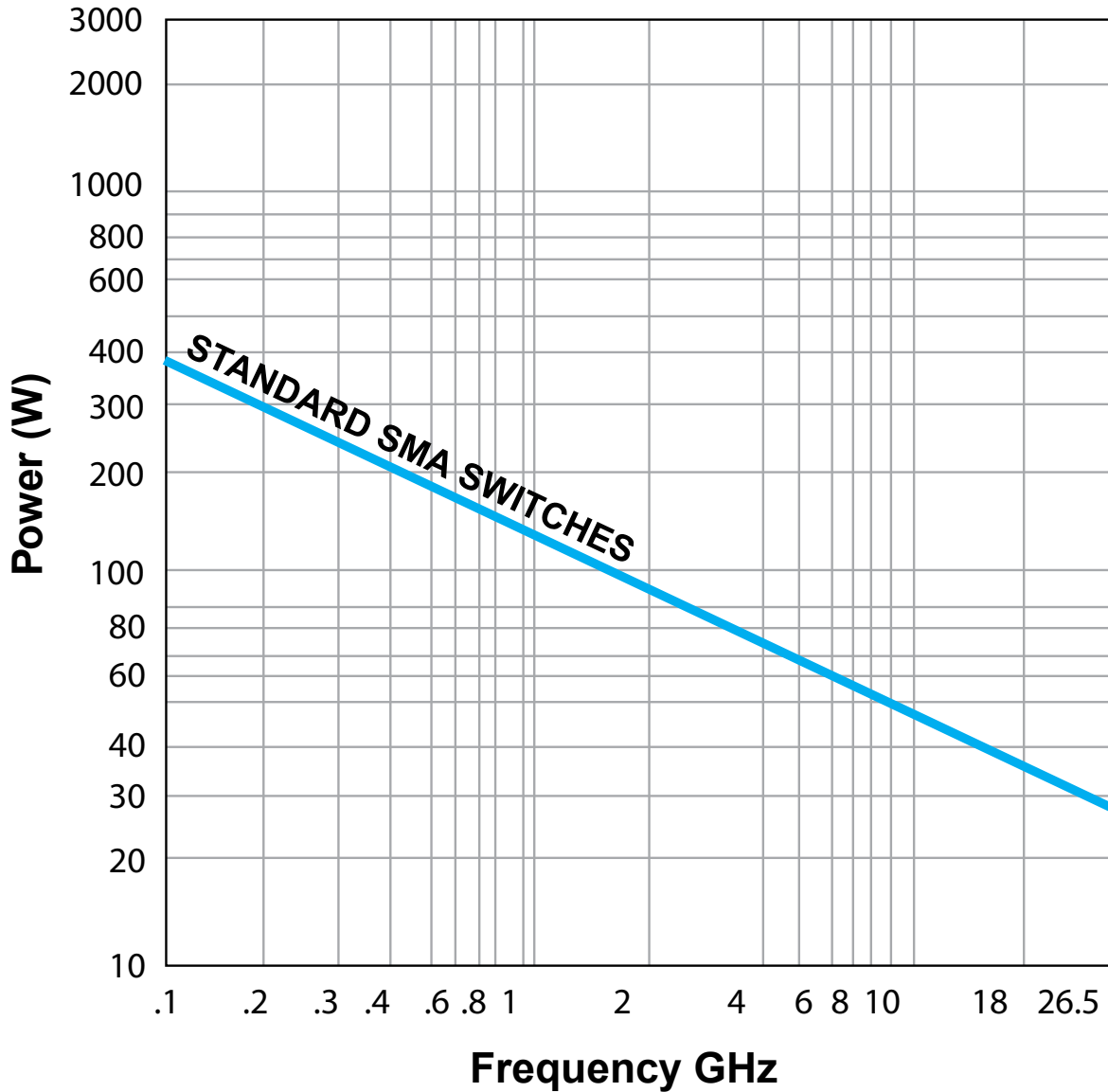


### VSWR vs. Frequency



**POWER PERFORMANCE CURVE**

# Power Handling vs. Frequency



Estimates based on the following reference conditions:

- Ambient temperature of 40°C or less
- Sea level operation
- Load VSWR of 1.20:1 maximum
- No high-power (hot) switching

Please contact Teledyne Coax Switches for derating factors when applications do not meet the foregoing reference conditions.



## GLOSSARY

### Actuator

An actuator is the electromechanical mechanism that transfers the RF contacts from one position to another upon DC command.

### Arc Suppression Diode

A diode is connected in parallel with the coil. This diode limits the “reverse EMF spike” generated when the coil de-energizes to 0.7 volts. The diode cathode is connected to the positive side of the coil and the anode is connected to the negative side.

### Date Code

All switches are marked with either a unique serial number or a date code. Date codes are in accordance with MIL-STD-1285 Paragraph 5.2.5 and consist of four digits. The first two digits define the year and the last two digits define the week of the year (YYWW). Thus, 1032 identifies switches that passed through final inspection during the 32nd week of 2010.

### Fail-safe

A fail-safe switch reverts to the default or fail-safe position when actuating voltage is removed. This is realized by a return spring within the drive mechanism. This type of switch requires the continuous application of operating voltage to select and hold any position. (Multi-position switches are normally open with no voltage applied).

### Latching

A latching switch remains in the selected position whether or not voltage is maintained. This can be accomplished with either a magnetic or mechanical latching mechanism.

### Indicator

Indicators tell the system which position the switch is in. Other names for indicators are telemetry contacts or tell back circuit. Indicators are usually a set of internally mounted DC contacts linked to the actuator. They can be wired to digital input lines, status lights, or interlocks. Unless otherwise specified, the maximum indicator contact rating is 30 Vdc, 50 mA, or 1.5 Watts into a resistive load.

### Internal Termination

Unselected ports are internally terminated to a matched load. The load is 50Ω resistive device. The max RF power rating is 2 Watts CW. Without the internal termination option, the unselected ports are open circuits.

### Isolation

Isolation is the measure of the power level at the output connector of an unconnected RF channel as referenced to the power at the input connector. It is specified in dB below the input power level.

### Self-Cutoff

The self-cutoff option disables the actuator current on completion of actuation. Either a series contact (linked to the actuator) or an IC driver circuit provides the current cutoff. This option results in minimum power consumption by the RF switch. Cutthroat is another name used in the industry for this option. Pulse latching is a term used to describe a switch without this feature.

### SPDT Switch

A single-pole-double-throw, has one input and two output ports.

### Switching Time

Switching time is the total interval beginning with the arrival of the leading edge of the command pulse at the switch DC input and ending with the completion of the switch transfer, including contact bounce. It consists of three parts: (1) inductive delay in the coil, (2) transfer time of the physical movement of the contacts, and (3) the bounce time of the RF contacts.

### TTL Switch Driver Option

As a special option, switch drivers can be provided for both fail-safe and latching switches, which are compatible with industry-standard low-power Schottky TTL circuits.

### Performance Parameters vs Frequency

Generally speaking, the RF performance of coaxial switches is frequency dependent. With increasing frequency, VSWR and insertion loss increase while isolation decreases.

All data sheets specify these three parameters as “worst case” at the highest operating frequency. If the switch is to be used over a narrow frequency band, better performance can be achieved.

### Actuator Current vs Temperature

The resistance of the actuator coil varies as a function of temperature. There is an inverse relationship between the operating temperature of the switch and the actuator drive current. For switches operating at 28 VDC, the approximate actuator drive current at temperature, T, can be calculated using the equation:

$$I_T = \frac{I_A}{[1 + .00385 (T-20)]}$$

Where:

$I_T$  = Actuator current at temperature, T

$I_A$  = Room temperature actuator current – see data sheet

T = Temperature of interest in °C

### Magnetic Sensitivity

An electromechanical switch can be sensitive to ferrous materials and external magnetic fields. Neighboring ferrous materials should be permitted no closer than 0.5 inches and adjacent external magnetic fields should be limited to a flux density of less than 5 Gauss.