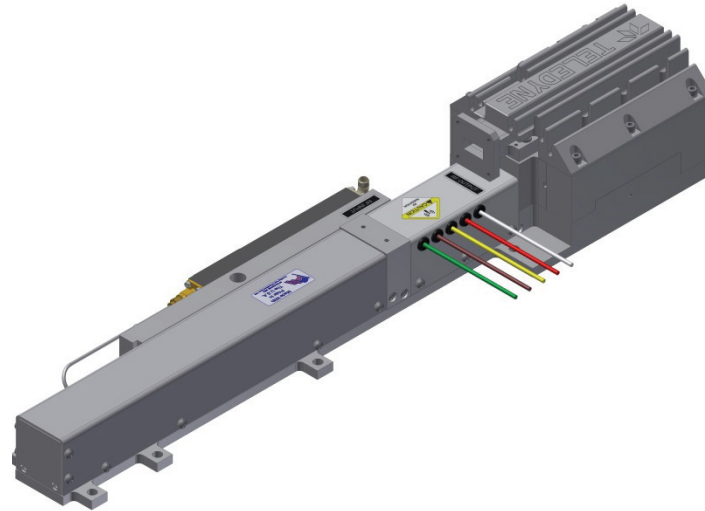


MEC 5466

Communication TWT

17.3 GHz – 18.4 GHz

- 450 W Minimum Power
- 17.3 to 18.4 GHz
- -40° to 85° C
- 1555 W Typ. Prime Power
- 45-47 dB Typical Gain
- 19.8" L x 3.9" W x 3.4" H (50.3 x 10 x 8.6 cm)
- Phase Match Available



RF Performance

Freq (GHz)	Typ. Sat. Power Output (W)	Min. Spec. Power Output (W)	Typ. Gain @ Spec. Power (dB)
17.3	550	500	47
17.4	550	500	47
17.5	550	500	47
17.6	550	500	47
17.7	540	500	47
17.8	530	500	47
17.9	525	500	47
18.0	500	450	46
18.1	490	450	46
18.2	480	450	46
18.3	460	450	45
18.4	450	450	45

Typical power output is shown to illustrate capability.
Typical gain shown is without equalizer.

Typical Operating Conditions

Element	Voltage	Current	Power Supply Requirements		
			Voltage Min.	Voltage Max.	Current Max.
Heater	-6.1 Vdc	1.7 A	-5.8 Vdc	-6.6 Vdc	2 A
Helix					
with RF	Ground	5 mA	Ground	Ground	10 mA
without RF	Ground	1 mA	Ground	Ground	10 mA
FE On	-10 Vdc	0.1 mA	0	-50 Vdc	1 mA
FE Off	-1600 Vdc	0.1 mA	-1600 Vdc	-2000 Vdc	1 mA
Cathode (E_k)	-11.8 kV	385 mA	-11.5 kV	-12.5 kV	400 mA
Collector w/RF					
Coll. #1	5.81 kV	110 mA	49% x $E_k \pm 2\%$		250 mA
Coll. #2	3.20 kV	270 mA	27% x $E_k \pm 2\%$		375 mA

Cathode voltage is measured with respect to ground.

Heater, Collector, and Focus Electrode (FE) voltages are measured with respect to Cathode.

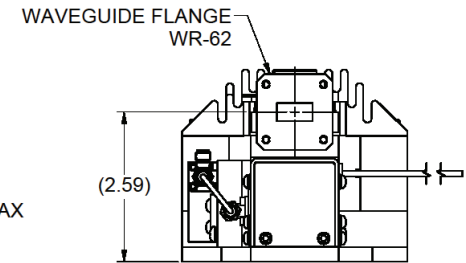
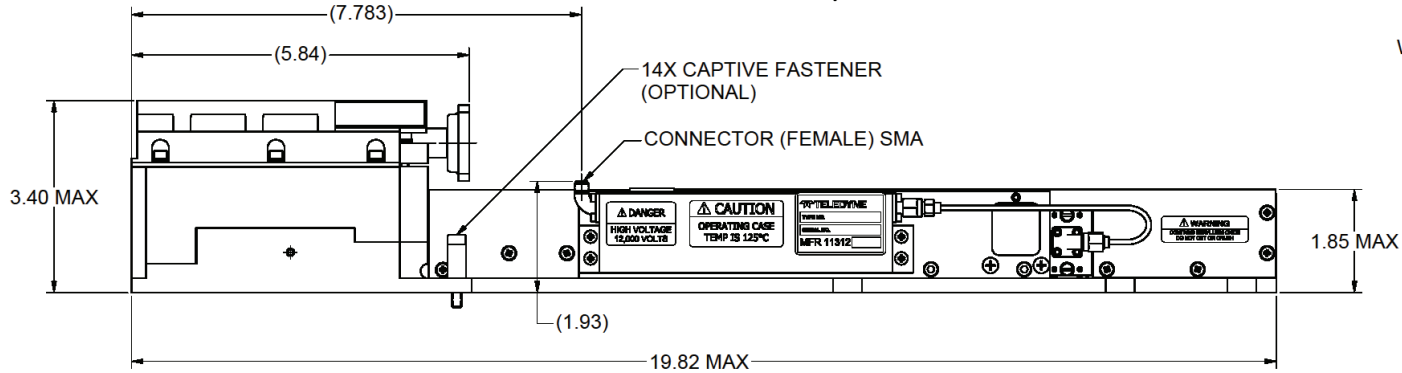
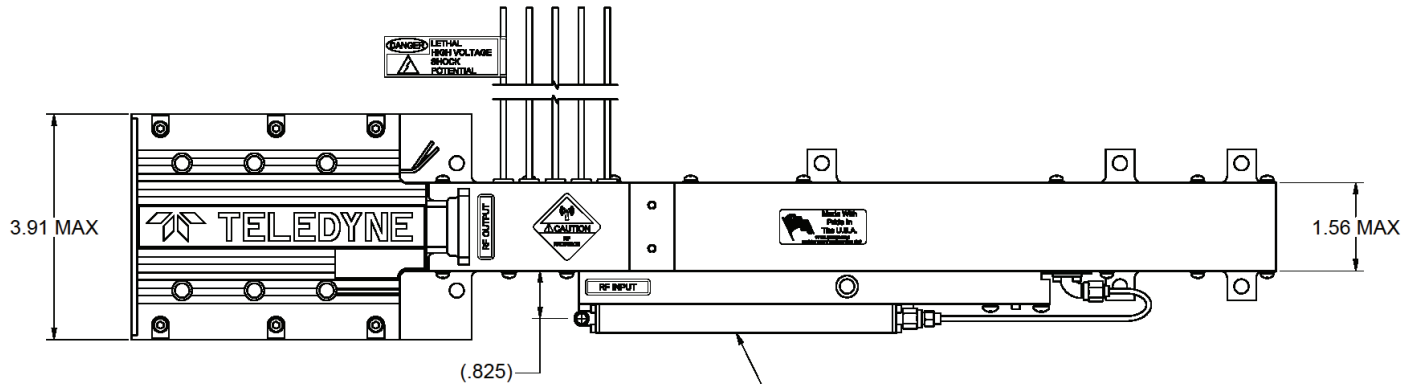
Performance

	Typical	Spec
Input VSWR.....	1.75:1	2.25:1
Output VSWR.....	1.92:1	2.3:1
Max. Duty	—	CW
FE Capacitance.....	50 pF	65 pF
Min. Harmonic Separation.....	-30 dBc	-15 dBc
Noise Power Density (dBm/MHz).....	-20	-15
Prime Power.....	1555 W	1600 W

This model number is controlled by the International Traffic in Arms Regulations, and can only be exported via a U.S. Department of State export license. They may not be transferred, transshipped on a non-continuous voyage, or otherwise be disposed of in any other country, either in their original form or after being incorporated into other end-items, without the prior written approval of the U.S. Department of State.

NOTES:

1. THERMOSTAT OPTIONS: N/C OR N/O
2. EQUALIZER OPTIONAL, BASED UPON CUSTOMER REQUIREMENT.



SUBJECT TO CHANGE W/O NOTICE ISO 9001:2008 Registered

<p>TELEDYNE MICROWAVE SOLUTIONS TWT PRODUCTS 11361 Sunrise Park Dr., Rancho Cordova, CA (916) 638-3344</p>
TITLE
MEC 5466

This model number is controlled by the International Traffic in Arms Regulations, and can only be exported via a U.S. Department of State export license. They may not be transferred, transshipped on a non-continuous voyage, or otherwise be disposed of in any other country, either in their original form or after being incorporated into other end-items, without the prior written approval of the U.S. Department of State.