

LM111/LH2111

Voltage Comparators

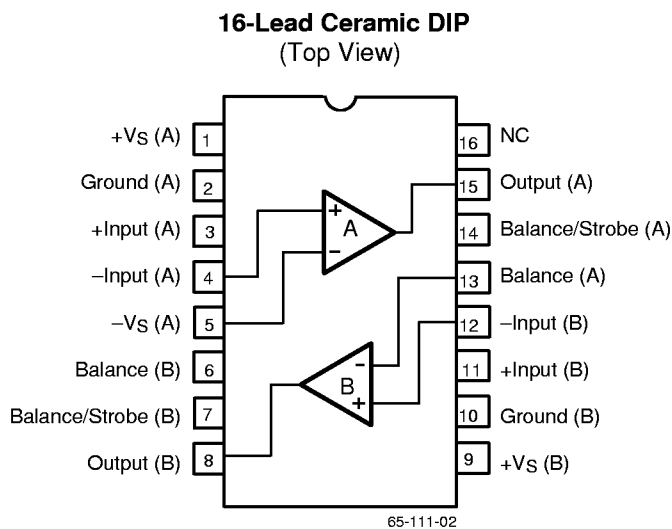
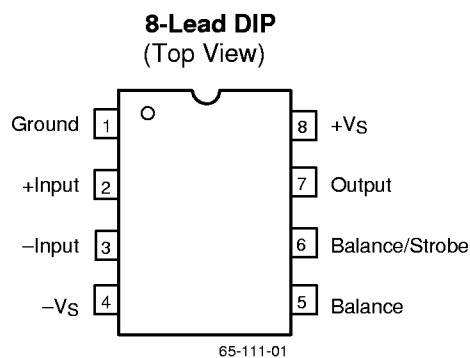
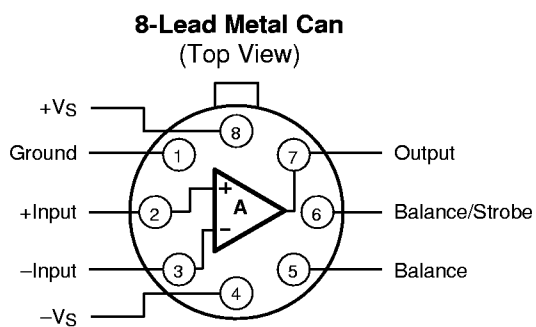
Features

- Low input offset current — 4 nA
- Low input bias current — 60 nA
- Operates from a single +5V supply
- Response Time — 200 ns

Description

These low input current voltage comparators are designed to operate over a wide range of supply voltages, including +15V and single +5V supplies. Their outputs are compatible with DTL, RTL, TTL and MOS devices, and can be connected in “wire-OR” configuration. The LH2111 consists of two LM111 ICs packaged in a 16-lead DIP. The LH2111 is available with MIL-STD 883B screening.

Pin Assignments



Absolute Maximum Ratings

Parameter	Min.	Max.	Unit
Supply Voltage	-18	+18	V
Output to $-V_S$		50	V
Ground to $-V_S$		30	V
Differential Input Voltage		30	V
Input Voltage ¹	-15	+15	V
Power Dissipation ²		500	mW
Output Short Circuit Duration		10	seconds
Storage Temperature Range	-65	+150	°C
Operating Temperature Range	-55	+125	°C
Voltage at Strobe Pin		$+V_S - 5$	V
Lead Soldering Temperature (60 seconds)		+300	°C

Notes:

- For supply voltages other than $\pm 15V$, the maximum input is equal to the supply voltage.
- Observe package thermal characteristics.

Thermal Characteristics

Parameter	8-Lead Metal Can	8-Lead Ceramic DIP	16-Lead Ceramic DIP
Maximum Junction Temperature	+175°C	+175°C	+175°C
Maximum P _D T _A <50°C	658 mW	833 mW	1042 mW
Thermal Resistance, θ_{JC}	50°C/W	45°C/W	60°C/W
Thermal Resistance, θ_{JA}	190°C/W	150°C/W	120°C/W
For T _A > 50°C Derate at	5.26 mW/°C	8.33 mW/°C	8.38 mW/°C

Electrical Characteristics

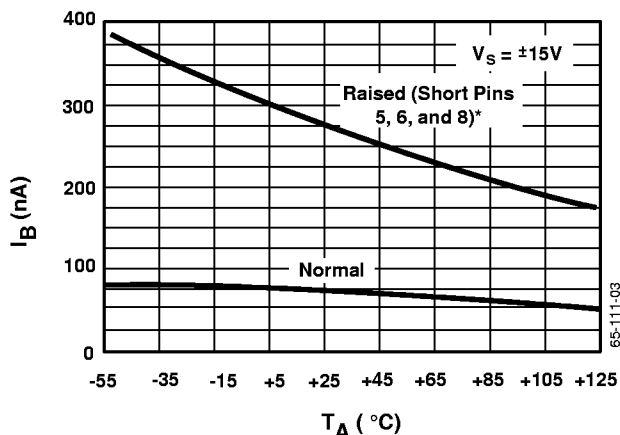
V_S = ±15V¹ and -55°C ≤ T_A ≤ +125°C unless otherwise noted.

Parameters	Test Conditions	Min.	Typ.	Max.	Units
Input Offset Voltage ²	T _A = +25°C, R _S 50 kΩ		0.7	3.0	mV
Input Offset Current ²	T _A = +25°C		4.0	10	nA
Input Bias Current	T _A = +25°C		60	100	nA
Large Signal Voltage Gain	T _A = +25°C	40	200		V/mV
Response Time	T _A = +25°C, 100 mV step, 5 mV overdrive		200		ns
Output Voltage Low (VOL)	V _{IN} ≤ 5 mV, I _L = 50 mA, T _A = +25°C		3.0		mA
Output Leakage current	V _{IN} 25 mV, V _{OUT} = 35V, T _A = +25°C, I _{STROBE} = 3 mA		0.2	10	nA
Input Offset Voltage ²	R _S ≤ 50 KΩ		1.5	4.0	mV
Input Offset Current ²			5.0	20	nA
Input Bias Current			100	150	nA
Input Voltage Range	Pin 7 pull up may go to +5V	-14.5		13.0	V
Output Voltage Low (VOL)	+V _S = 4.5V, -V _S = 0V, V _{IN} ≤ -6 mV, I _{OUT} = 8.0 mA		0.23	0.4	V
Output Leakage Current	V _{IN} ≥ 5 mV, V _{OUT} = 35V		100	500	nA
Positive Supply Current	T _A = +25°C, each amplifier		5.1	6.0	mA
Negative Supply Current	T _A = +25°C, each amplifier		4.1	5.0	mA

Notes:

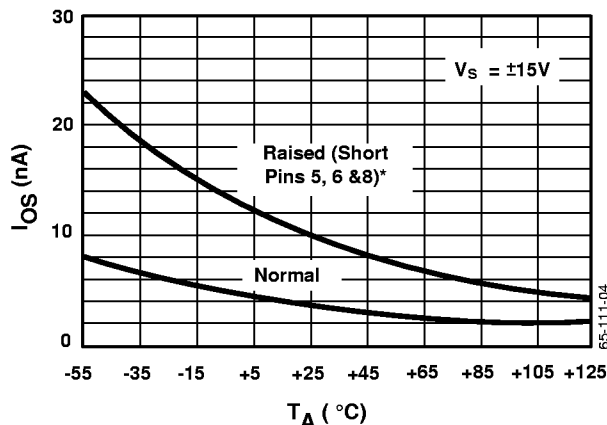
1. V_{OS}, I_{OS} and I_B specifications apply for V_S = +5V to V_S = ±15V.
2. V_{OS} and I_{OS} are maximum values required to drive the output to within 1V of either supply with a 1 mA load.
3. Do not short circuit the strobe pin to ground—drive it with a 3 to 5 mA current. Instead.
4. If the strobe and balance pins are unused, short them together for maximum AC stability.

Typical Performance Characteristics



* Pin numbers are for 8-lead packages

Figure 1. Input Bias Current vs. Temperature



* Pin numbers are for 8-lead packages

Figure 2. Input Offset Current vs. Temperature

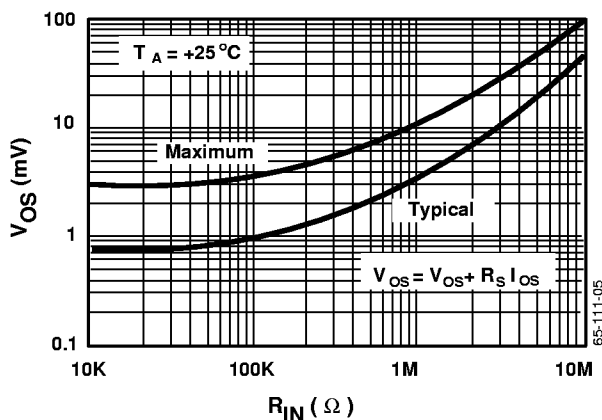


Figure 3. Equivalent Input Offset Voltage vs. Input Resistance

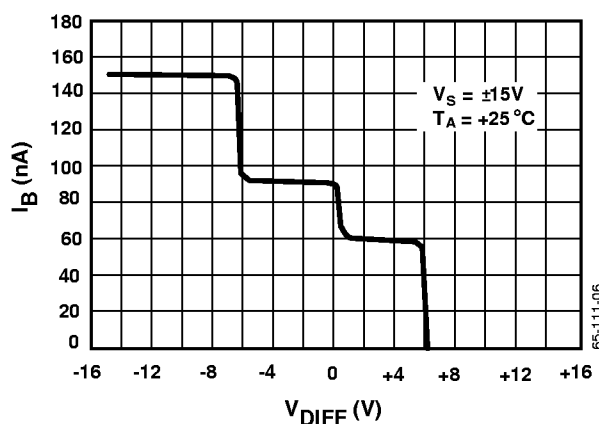


Figure 4. Input Bias Current vs. Differential Input Voltage

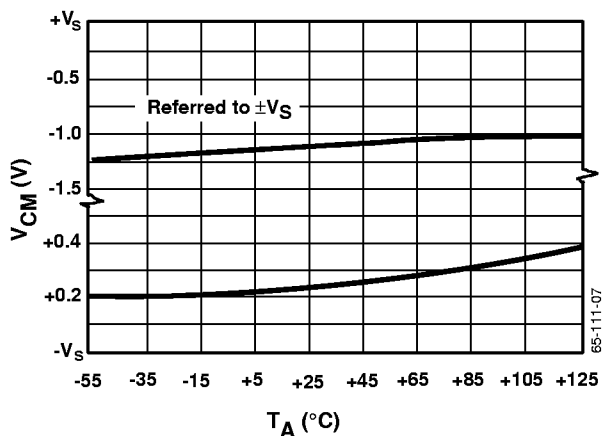


Figure 5. Common Mode Limits vs. Temperature

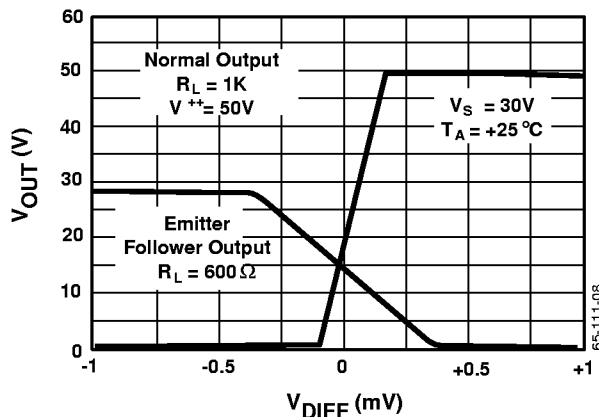


Figure 6. Output Voltage vs. Differential Input Voltage

Typical Performance Characteristics (continued)

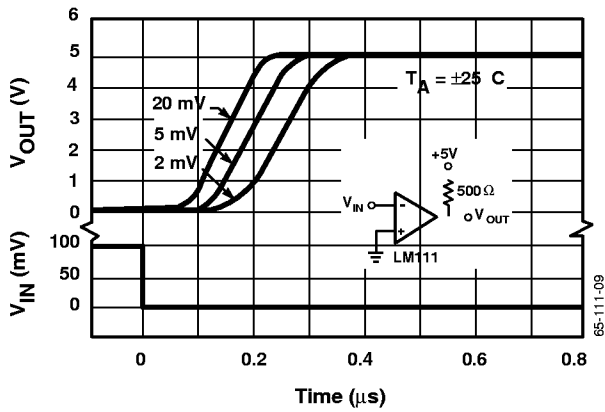


Figure 7. Input Overdrive vs. Response Times

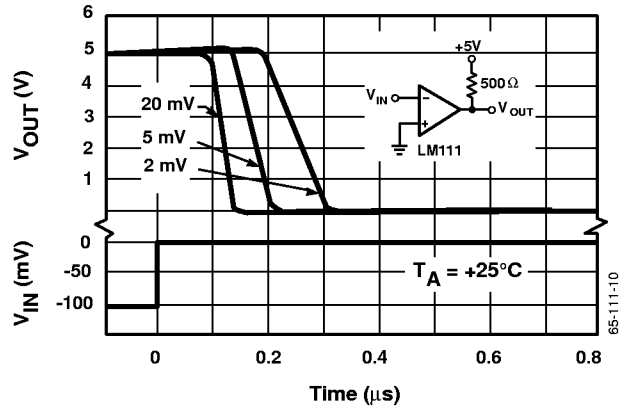


Figure 8. Input Overdrive vs. Response Times

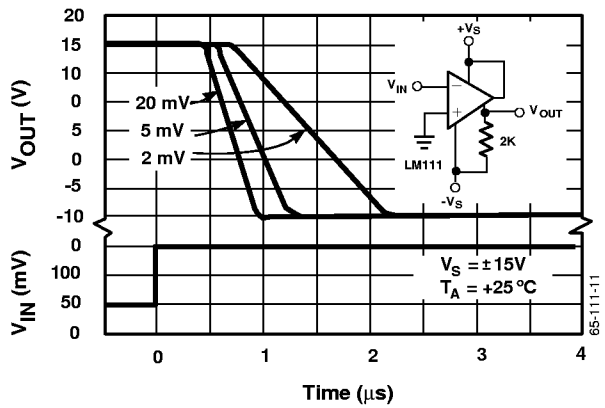


Figure 9. Input Overdrive vs. Response Times

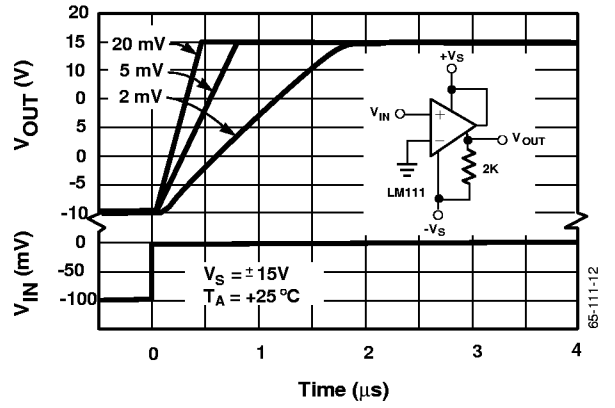


Figure 10. Input Overdrive vs. Response Times

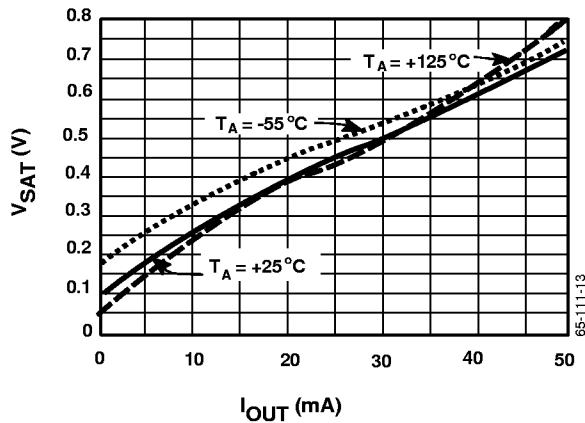


Figure 11. OpenSaturation Voltage vs. Output Current

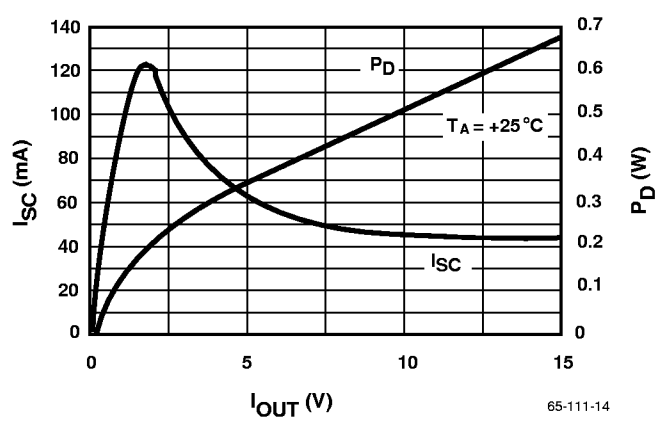


Figure 12. Short Circuit Current, Power Dissipation vs. Output Voltage

Typical Performance Characteristics (continued)

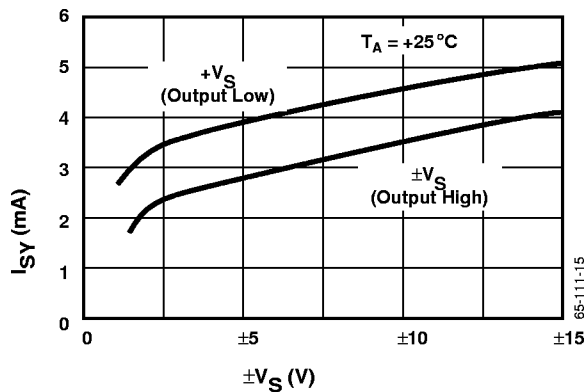


Figure 13. Supply Current vs. Supply Voltage

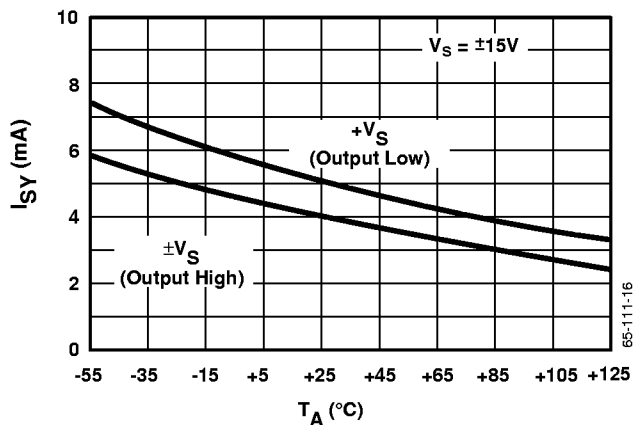


Figure 14. Supply Current vs. Temperature

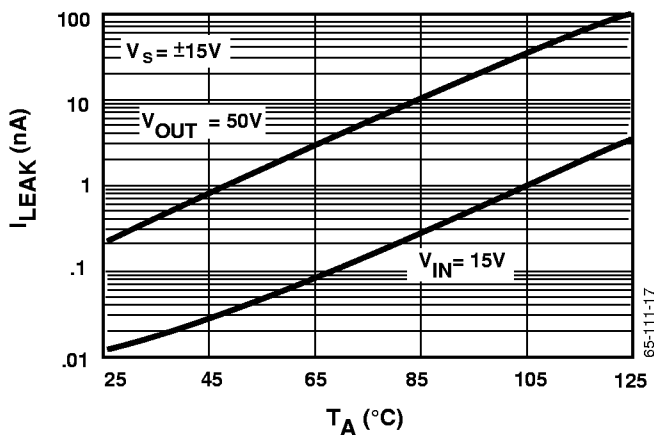


Figure 15. Leakage Current vs. Temperature

Notes:

Notes:

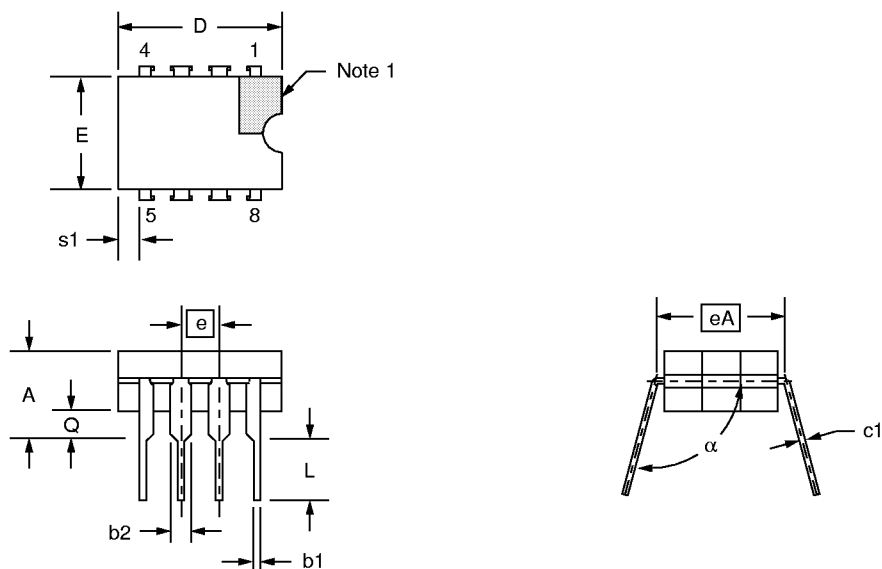
Mechanical Dimensions

8-Lead Ceramic DIP

Symbol	Inches		Millimeters		Notes
	Min.	Max.	Min.	Max.	
A	—	.200	—	5.08	
b1	.014	.023	.36	.58	8
b2	.045	.065	1.14	1.65	2, 8
c1	.008	.015	.20	.38	8
D	—	.405	—	10.29	4
E	.220	.310	5.59	7.87	4
e	.100 BSC		2.54 BSC		5, 9
eA	.300 BSC		7.62 BSC		7
L	.125	.200	3.18	5.08	
Q	.015	.060	.38	1.52	3
s1	.005	—	.13	—	6
α	90°	105°	90°	105°	

Notes:

1. Index area: a notch or a pin one identification mark shall be located adjacent to pin one. The manufacturer's identification shall not be used as pin one identification mark.
2. The minimum limit for dimension "b2" may be .023 (.58mm) for leads number 1, 4, 5 and 8 only.
3. Dimension "Q" shall be measured from the seating plane to the base plane.
4. This dimension allows for off-center lid, meniscus and glass overrun.
5. The basic pin spacing is .100 (2.54mm) between centerlines. Each pin centerline shall be located within $\pm .010$ (.25mm) of its exact longitudinal position relative to pins 1 and 8.
6. Applies to all four corners (leads number 1, 4, 5, and 8).
7. "eA" shall be measured at the center of the lead bends or at the centerline of the leads when " α " is 90°.
8. All leads – Increase maximum limit by .003 (.08mm) measured at the center of the flat, when lead finish applied.
9. Six spaces.



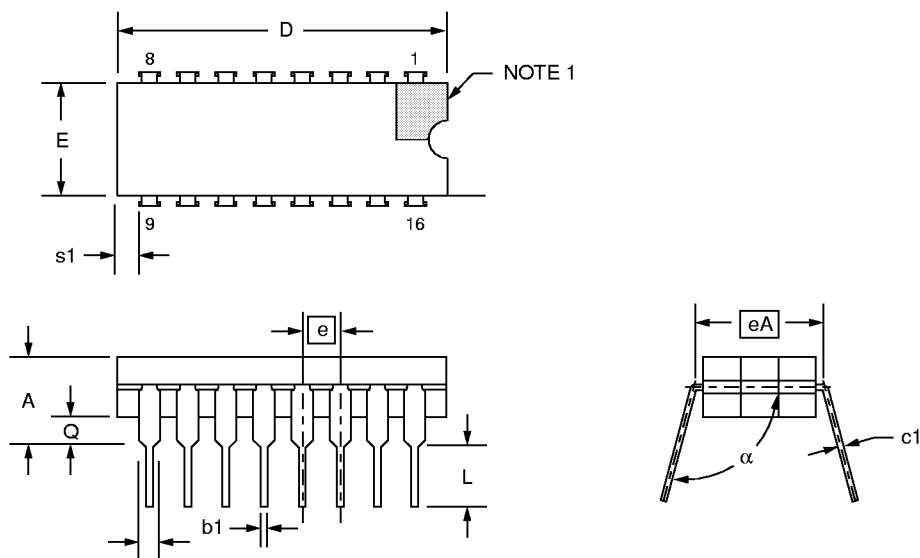
Mechanical Dimensions (continued)

16-Lead Ceramic DIP

Symbol	Inches		Millimeters		Notes
	Min.	Max.	Min.	Max.	
A	—	.200	—	5.08	
b1	.014	.023	.36	.58	8
b2	.050	.065	1.27	1.65	2
c1	.008	.015	.20	.38	8
D	.745	.840	18.92	21.33	4
E	.220	.310	5.59	7.87	4
e	.100 BSC		2.54 BSC		5, 9
eA	.300 BSC		7.62 BSC		7
L	.115	.160	2.92	4.06	
Q	.015	.060	.38	1.52	3
s1	.005	—	.13	—	6
α	90°	105°	90°	105°	

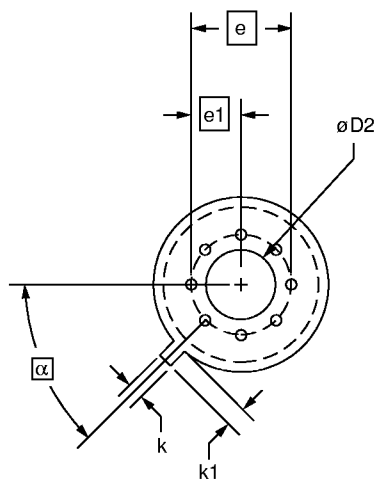
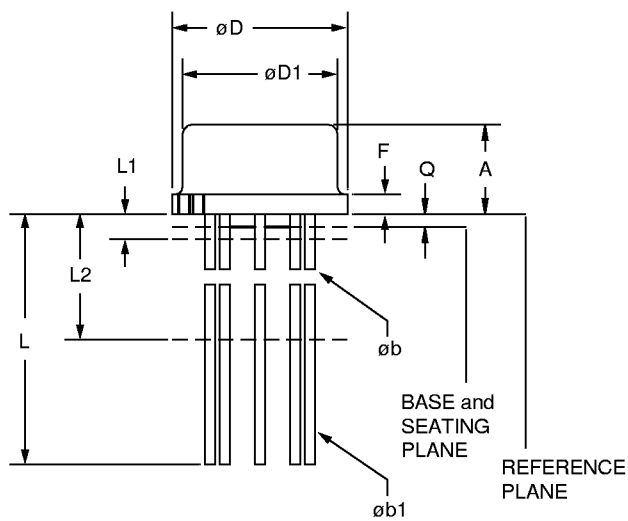
Notes:

1. Index area: a notch or a pin one identification mark shall be located adjacent to pin one. The manufacturer's identification shall not be used as pin one identification mark.
2. The minimum limit for dimension "b2" may be .023 (.58mm) for leads number 1, 8, 9 and 16 only.
3. Dimension "Q" shall be measured from the seating plane to the base plane.
4. This dimension allows for off-center lid, meniscus and glass overrun.
5. The basic pin spacing is .100 (2.54mm) between centerlines. Each pin centerline shall be located within ± 0.010 (.25mm) of its exact longitudinal position relative to pins 1 and 16.
6. Applies to all four corners (leads number 1, 8, 9, and 16).
7. "eA" shall be measured at the center of the lead bends or at the centerline of the leads when " α " is 90°.
8. All leads – Increase maximum limit by .003 (.08mm) measured at the center of the flat, when lead finish applied.
9. Fourteen spaces.



Mechanical Dimensions (continued)

8-Lead Metal Can (TO-99)



Symbol	Inches		Millimeters		Notes
	Min.	Max.	Min.	Max.	
A	.165	.185	4.19	4.70	
øb	.016	.019	.41	.48	1, 5
øb1	.016	.021	.41	.53	1, 5
øD	.335	.375	8.51	9.52	
øD1	.305	.335	7.75	8.51	
øD2	.110	.160	2.79	4.06	
e	.200 BSC		5.08 BSC		
e1	.100 BSC		2.54 BSC		
F	—	.040	—	1.02	
k	.027	.034	.69	.86	
k1	.027	.045	.69	1.14	2
L	.500	.750	12.70	19.05	1
L1	—	.050	—	1.27	1
L2	.250	—	6.35	—	1
Q	.010	.045	.25	1.14	
α	45° BSC		45° BSC		

Notes:

1. (All leads) øb applies between L1 & L2. øb1 applies between L2 & .500 (12.70mm) from the reference plane. Diameter is uncontrolled in L1 & beyond .500 (12.70mm) from the reference plane.
2. Measured from the maximum diameter of the product.
3. Leads having a maximum diameter .019 (.48mm) measured in gauging plane, .054 (1.37mm) +.001 (.03mm) –.000 (.00mm) below the reference plane of the product shall be within .007 (.18mm) of their true position relative to a maximum width tab.
4. The product may be measured by direct methods or by gauge.
5. All leads – increase maximum limit by .003 (.08mm) when lead finish is applied.

Ordering Information

Part Number	Package	Operating Temperature Range
LM111T/883B	8-Lead Metal Can (TO-99)	-55°C to +125°C
LM111D/883B	8-Lead Ceramic DIP	-55°C to +125°C
LH2111D	16-Lead Ceramic DIP	-55°C to +125°C
LH2111D/883B	16-Lead Ceramic DIP	-55°C to +125°C

Note:

1. /883 B suffix denotes MIL-STD-883, Level B processing

The information contained in this data sheet has been carefully compiled; however, it shall not by implication or otherwise become part of the terms and conditions of any subsequent sale. Raytheon's liability shall be determined solely by its standard terms and conditions of sale. No representation as to application or use or that the circuits are either licensed or free from patent infringement is intended or implied. Raytheon reserves the right to change the circuitry and any other data at any time without notice and assumes no liability for errors.

LIFE SUPPORT POLICY:

Raytheon's products are not designed for use in life support applications, wherein a failure or malfunction of the component can reasonably be expected to result in personal injury. The user of Raytheon components in life support applications assumes all risk of such use and indemnifies Raytheon Company against all damages.

Raytheon Electronics
Semiconductor Division
350 Ellis Street
Mountain View, CA 94043
650.968.9211
FAX 650.966.7742