

54AC169 • 54ACT169 4-Stage Synchronous Bidirectional Counter

General Description

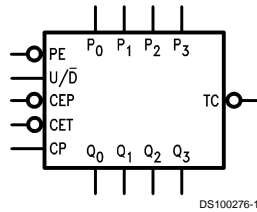
The 'AC/ACT169 is fully synchronous 4-stage up/down counter. The 'AC/ACT169 is a modulo-16 binary counter. It features a preset capability for programmable operation, carry lookahead for easy cascading and a U/D input to control the direction of counting. All state changes, whether in counting or parallel loading, are initiated by the LOW-to-HIGH transition of the Clock.

- Synchronous counting and loading
- Built-In lookahead carry capability
- Presettable for programmable operation
- Outputs source/sink 24 mA
- 'ACT has TTL-compatible inputs
- Standard Microcircuit Drawing (SMD) 5962-91603

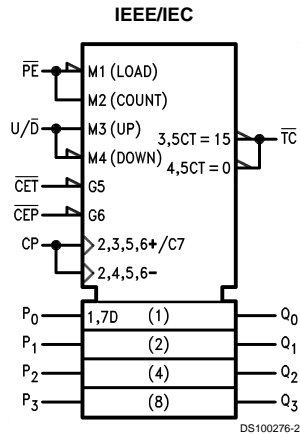
Features

- I_{CC} reduced by 50%

Logic Symbols



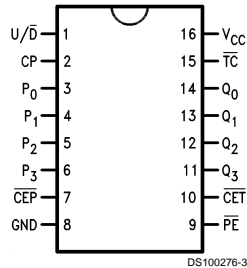
| Pin Names | Description |
|------------------|-----------------------------|
| \overline{CEP} | Count Enable Parallel Input |
| \overline{CET} | Count Enable Trickle Input |
| CP | Clock Pulse Input |
| P_0-P_3 | Parallel Data Inputs |
| \overline{PE} | Parallel Enable Input |
| U/D | Up-Down Count Control Input |
| Q_0-Q_3 | Flip-Flop Outputs |
| \overline{TC} | Terminal Count Output |



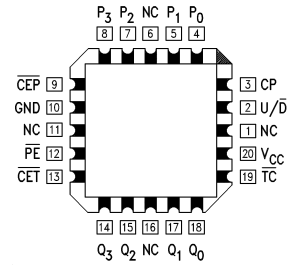
FACT™ is a trademark of Fairchild Semiconductor Corporation.

Connection Diagrams

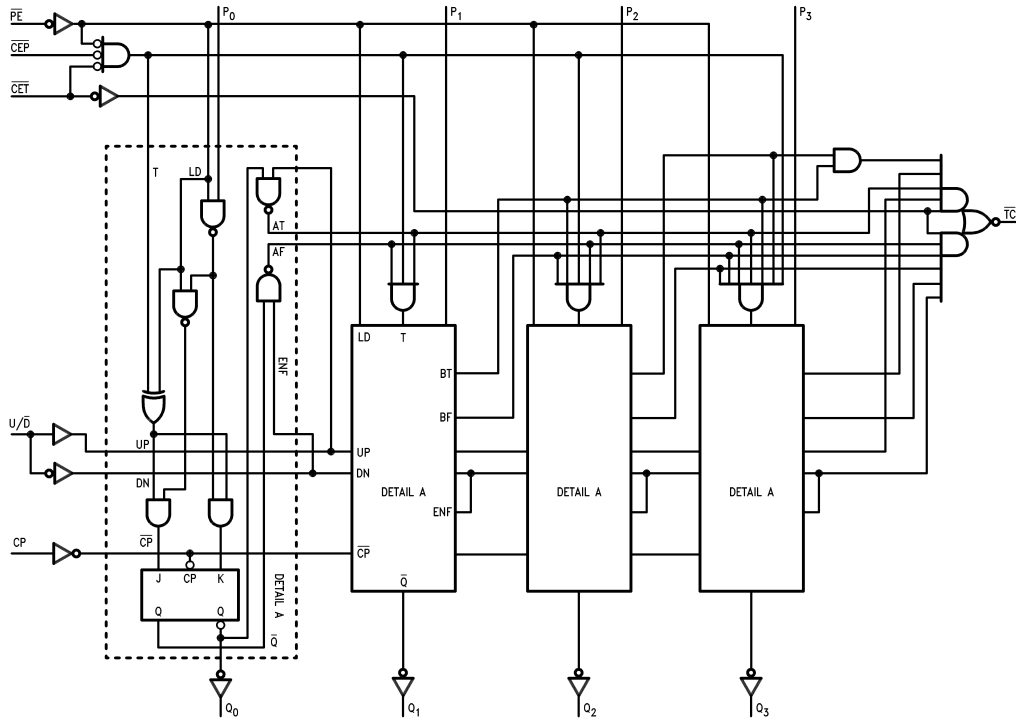
Pin Assignment
for DIP and Flatpak



Pin Assignment
for LCC



Logic Diagram



Please note that this diagram is provided only for the understanding of logic operations and should not be used to estimate propagation delays.

Functional Description

The 'AC/ACT169 uses edge-triggered J-K-type flip-flops and have no constraints on changing the control or data input signals in either state of the Clock. The only requirement is that the various inputs attain the desired state at least a setup time before the rising edge of the clock and remain valid for the recommended hold time thereafter. The parallel load operation takes precedence over the other operations, as indicated in the Mode Select Table. When \overline{PE} is LOW, the

data on the P_0 – P_3 inputs enters the flip-flops on the next rising edge of the Clock. In order for counting to occur, both \overline{CEP} and \overline{CET} must be LOW and \overline{PE} must be HIGH; the U/\overline{D} input then determines the direction of counting. The Terminal Count (\overline{TC}) output is normally HIGH and goes LOW, provided that \overline{CET} is LOW, when a counter reaches zero in the Count Down mode or reaches 15 in the Count Up mode. The \overline{TC} output state is not a function of the Count Enable Parallel (\overline{CEP}) input level. If an illegal state occurs, the 'AC169 will return to the legitimate sequence within two counts. Since

Functional Description (Continued)

the \overline{TC} signal is derived by decoding the flip-flop states, there exists the possibility of decoding spikes on \overline{TC} . For this reason the use of \overline{TC} as a clock signal is not recommended (see logic equations below).

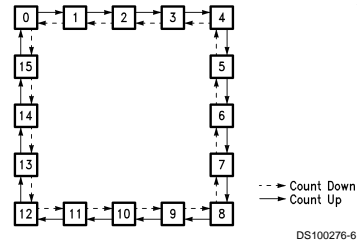
1. Count Enable = $\overline{CEP} \cdot \overline{CET} \cdot \overline{PE}$
2. Up: $\overline{TC} = Q_0 \cdot Q_1 \cdot Q_2 \cdot Q_3 \cdot (Up) \cdot \overline{CET}$
3. Down: $\overline{TC} = \overline{Q_0} \cdot \overline{Q_1} \cdot \overline{Q_2} \cdot \overline{Q_3} \cdot (Down) \cdot \overline{CET}$

Mode Select Table

| \overline{PE} | \overline{CEP} | \overline{CET} | U/\overline{D} | Action on Rising Clock Edge |
|-----------------|------------------|------------------|------------------|-----------------------------|
| L | X | X | X | Load (P_n to Q_n) |
| H | L | L | H | Count Up (Increment) |
| H | L | L | L | Count Down (Decrement) |
| H | H | X | X | No Change (Hold) |
| H | X | H | X | No Change (Hold) |

H = HIGH Voltage Level
 L = LOW Voltage Level
 X = Immaterial

State Diagrams



Absolute Maximum Ratings (Note 1)

If Military/Aerospace specified devices are required, please contact the National Semiconductor Sales Office/Distributors for availability and specifications.

| | |
|--|--------------------------|
| Supply Voltage (V_{CC}) | -0.5V to +7.0V |
| DC Input Diode Current (I_{IK}) | |
| $V_I = -0.5V$ | -20 mA |
| $V_I = V_{CC} + 0.5V$ | +20 mA |
| DC Input Voltage (V_I) | -0.5V to $V_{CC} + 0.5V$ |
| DC Output Diode Current (I_{OK}) | |
| $V_O = -0.5V$ | -20 mA |
| $V_O = V_{CC} + 0.5V$ | +20 mA |
| DC Output Voltage (V_O) | -0.5V to $V_{CC} + 0.5V$ |
| DC Output Source or Sink Current (I_O) | ±50 mA |
| DC V_{CC} or Ground Current per Output Pin (I_{CC} or I_{GND}) | ±50 mA |
| Storage Temperature (T_{STG}) | -65°C to +150°C |
| Junction Temperature (T_J) | |
| CDIP | 175°C |

Recommended Operating Conditions

| | |
|---|-----------------|
| Supply Voltage (V_{CC}) | |
| 'AC | 2.0V to 6.0V |
| 'ACT | 4.5V to 5.5V |
| Input Voltage (V_I) | 0V to V_{CC} |
| Output Voltage (V_O) | 0V to V_{CC} |
| Operating Temperature (T_A) | |
| 54AC/ACT | -55°C to +125°C |
| Minimum Input Edge Rate ($\Delta V/\Delta t$) | |
| 'AC Devices | |
| V_{IN} from 30% to 70% of V_{CC} | |
| V_{CC} @ 3.3V, 4.5V, 5.5V | 125 mV/ns |
| 'ACT Devices | |
| V_{IN} from 0.8V to 2.0V | |
| V_{CC} @ 4.5V, 5.5V | 125 mV/ns |

Note 1: Absolute maximum ratings are those values beyond which damage to the device may occur. The databook specifications should be met, without exception, to ensure that the system design is reliable over its power supply, temperature, and output/input loading variables. National does not recommend operation of FACT™ circuits outside databook specifications.

DC Characteristics for 'AC Family Devices

| Symbol | Parameter | V_{CC} (V) | 54AC | | Units | Conditions |
|----------|-----------------------------------|-----------------|----------------------------|----|--|------------|
| | | | $T_A =$ -55°C to +125°C | | | |
| | | | Guaranteed Limits | | | |
| V_{IH} | Minimum High Level Input Voltage | 3.0 | 2.1 | V | $V_{OUT} = 0.1V$ or $V_{CC} - 0.1V$ | |
| | | 4.5 | 3.15 | | | |
| | | 5.5 | 3.85 | | | |
| V_{IL} | Maximum Low Level Input Voltage | 3.0 | 0.9 | V | $V_{OUT} = 0.1V$ or $V_{CC} - 0.1V$ | |
| | | 4.5 | 1.35 | | | |
| | | 5.5 | 1.65 | | | |
| V_{OH} | Minimum High Level Output Voltage | 3.0 | 2.9 | V | $I_{OUT} = -50 \mu A$ | |
| | | 4.5 | 4.4 | | | |
| | | 5.5 | 5.4 | | | |
| V_{OL} | Maximum Low Level Output Voltage | 3.0 | 2.4 | V | (Note 2) $V_{IN} = V_{IL}$ or V_{IH} $I_{OH} = -12 \text{ mA}$ $I_{OH} = -24 \text{ mA}$ $I_{OH} = -24 \text{ mA}$ | |
| | | 4.5 | 3.7 | | | |
| | | 5.5 | 4.7 | | | |
| V_{OL} | Maximum Low Level Output Voltage | 3.0 | 0.1 | V | $I_{OUT} = 50 \mu A$ | |
| | | 4.5 | 0.1 | | | |
| | | 5.5 | 0.1 | | | |
| V_{OL} | Maximum Low Level Output Voltage | 3.0 | 0.50 | V | (Note 2) $V_{IN} = V_{IL}$ or V_{IH} $I_{OL} = 12 \text{ mA}$ $I_{OL} = 24 \text{ mA}$ $I_{OL} = 24 \text{ mA}$ | |
| | | 4.5 | 0.50 | | | |
| | | 5.5 | 0.50 | | | |
| I_{IN} | Maximum Input Leakage Current | 5.5 | ±1.0 | µA | $V_I = V_{CC}, GND$ | |

DC Characteristics for 'AC Family Devices (Continued)

| Symbol | Parameter | V _{CC} (V) | 54AC | Units | Conditions |
|------------------|--|------------------------|-------------------------------------|-------|---|
| | | | T _A = -55°C to +125°C | | |
| | | | Guaranteed Limits | | |
| I _{OLD} | Minimum Dynamic Output Current (Note 3) | 5.5 | 50 | mA | V _{OLD} = 1.65V Max |
| I _{OHD} | | 5.5 | -50 | mA | V _{OHD} = 3.85V Min |
| I _{CC} | Maximum Quiescent Supply Current | 5.5 | 80.0 | μA | V _{IN} = V _{CC} or GND |

Note 2: All outputs loaded; thresholds on input associated with output under test.

Note 3: Maximum test duration 2.0 ms, one output loaded at a time.

Note 4: I_{IN} and I_{CC} @ 3.0V are guaranteed to be less than or equal to the respective limit @ 5.5V V_{CC}.
I_{CC} for 54AC @ 25°C is identical to 74AC @ 25°C.

DC Characteristics for 'ACT Family Devices

| Symbol | Parameter | V _{CC} (V) | 54ACT | Units | Conditions |
|------------------|--|------------------------|-------------------------------------|-------|--|
| | | | T _A = -55°C to +125°C | | |
| | | | Guaranteed Limits | | |
| V _{IH} | Minimum High Level Input Voltage | 4.5 | 2.0 | V | V _{OUT} = 0.1V or V _{CC} - 0.1V |
| | | 5.5 | 2.0 | | |
| V _{IL} | Maximum Low Level Input Voltage | 4.5 | 0.8 | V | V _{OUT} = 0.1V or V _{CC} - 0.1V |
| | | 5.5 | 0.8 | | |
| V _{OH} | Minimum High Level Output Voltage | 4.5 | 4.4 | V | I _{OUT} = -50 μA |
| | | 5.5 | 5.4 | | |
| | | 4.5 | 3.70 | V | (Note 5) V _{IN} = V _{IL} or V _{IH} I _{OH} = -24 mA I _{OH} = -24 mA |
| | | 5.5 | 4.70 | | |
| V _{OL} | Maximum Low Level Output Voltage | 4.5 | 0.1 | V | I _{OUT} = 50 μA |
| | | 5.5 | 0.1 | | |
| | | 4.5 | 0.50 | V | (Note 5) V _{IN} = V _{IL} or V _{IH} I _{OL} = 24 mA I _{OL} = 24 mA |
| | | 5.5 | 0.50 | | |
| I _{IN} | Maximum Input Leakage Current | 5.5 | ±1.0 | μA | V _I = V _{CC} , GND |
| I _{CCT} | Maximum I _{CC} /Input | 5.5 | 1.6 | mA | V _I = V _{CC} - 2.1V |
| I _{OLD} | Minimum Dynamic Output Current (Note 6) | 5.5 | 50 | mA | V _{OLD} = 1.65V Max |
| I _{OHD} | | 5.5 | -50 | mA | V _{OHD} = 3.85V Min |
| I _{CC} | Maximum Quiescent Supply Current | 5.5 | 80.0 | μA | V _{IN} = V _{CC} or GND |

Note 5: All outputs loaded; thresholds on input associated with output under test.

Note 6: Maximum test duration 2.0 ms, one output loaded at a time.

Note 7: I_{CC} for 54ACT @ 25°C is identical to 74ACT @ 25°C.

AC Electrical Characteristics

| Symbol | Parameter | V _{CC} (V) (Note 8) | 54AC | | Units | Fig. No. |
|------------------|---|------------------------------------|---|--------------|-------|-------------|
| | | | T _A = -55°C to +125°C C _L = 50 pF | | | |
| | | | Min | Max | | |
| f _{max} | Maximum Clock Frequency | 3.3 5.0 | 55 75 | | MHz | |
| t _{PLH} | Propagation Delay CP to Q _n (\overline{PE} HIGH or LOW) | 3.3 5.0 | 1.0 1.5 | 15.0 12.0 | ns | |
| t _{PHL} | Propagation Delay CP to Q _n (\overline{PE} HIGH or LOW) | 3.3 5.0 | 1.0 1.5 | 16.5 13.0 | ns | |
| t _{PLH} | Propagation Delay CP to \overline{TC} | 3.3 5.0 | 3.0 3.0 | 22.0 16.0 | ns | |
| t _{PHL} | Propagation Delay CP to \overline{TC} | 3.3 5.0 | 3.0 3.0 | 22.0 16.0 | ns | |
| t _{PLH} | Propagation Delay \overline{CET} to \overline{TC} | 3.3 5.0 | 1.0 1.5 | 18.5 13.0 | ns | |
| t _{PHL} | Propagation Delay \overline{CET} to \overline{TC} | 3.3 5.0 | 1.0 1.5 | 16.0 11.0 | ns | |
| t _{PLH} | Propagation Delay U/ \overline{D} to \overline{TC} | 3.3 5.0 | 1.0 1.5 | 18.5 13.0 | ns | |
| t _{PHL} | Propagation Delay U/ \overline{D} to \overline{TC} | 3.3 5.0 | 1.0 1.5 | 16.5 12.0 | ns | |

Note 8: Voltage Range 3.3 is 3.3V ±0.3V
Voltage Range 5.0 is 5.0V ±0.5V

AC Operating Requirements

| Symbol | Parameter | V _{CC} (V) (Note 9) | 54AC | | Units | Fig. No. |
|----------------|--|------------------------------------|---|--|-------|-------------|
| | | | T _A = -55°C to +125°C C _L = 50 pF | | | |
| | | | Guaranteed Minimum | | | |
| t _s | Setup Time, HIGH or LOW P _n to CP | 3.3 5.0 | 7.0 4.5 | | ns | |
| t _h | Hold Time, HIGH or LOW P _n to CP | 3.3 5.0 | 2.0 2.5 | | ns | |
| t _s | Setup Time, HIGH or LOW \overline{CEP} to CP | 3.3 5.0 | 13.5 9.0 | | ns | |
| t _h | Hold Time, HIGH or LOW \overline{CEP} to CP | 3.3 5.0 | 0.5 2.5 | | ns | |
| t _s | Setup Time, HIGH or LOW \overline{CET} to CP | 3.3 5.0 | 13.5 9.0 | | ns | |

AC Operating Requirements (Continued)

| Symbol | Parameter | V _{CC} (V) (Note 9) | 54AC | | Units | Fig. No. |
|----------------|---|------------------------------------|---|--|-------|-------------|
| | | | T _A = -55°C to +125°C C _L = 50 pF | | | |
| | | | Guaranteed Minimum | | | |
| t _h | Hold Time, HIGH or LOW CET to CP | 3.3 | 0.5 | | ns | |
| | | 5.0 | 2.5 | | | |
| t _s | Setup Time, HIGH or LOW PE to CP | 3.3 | 8.5 | | ns | |
| | | 5.0 | 6.5 | | | |
| t _h | Hold Time, HIGH or LOW PE to CP | 3.3 | 0.5 | | ns | |
| | | 5.0 | 2.0 | | | |
| t _s | Setup Time, HIGH or LOW U/D to CP | 3.3 | 13.0 | | ns | |
| | | 5.0 | 9.0 | | | |
| t _h | Hold Time, HIGH or LOW U/D to CP | 3.3 | 0.5 | | ns | |
| | | 5.0 | 2.0 | | | |
| t _w | CP Pulse Width, HIGH or LOW | 3.3 | 5.0 | | ns | |
| | | 5.0 | 5.0 | | | |

Note 9: Voltage Range 3.3 is 3.3V ±0.3V
Voltage Range 5.0 is 5.0V ±0.5V

AC Electrical Characteristics

| Symbol | Parameter | V _{CC} (V) (Note 10) | 54ACT | | Units | Fig. No. |
|------------------|---|-------------------------------------|---|------|-------|-------------|
| | | | T _A = -55°C to +125°C C _L = 50 pF | | | |
| | | | Min | Max | | |
| f _{max} | Maximum Clock Frequency | 5.0 | 75 | | MHz | |
| t _{PLH} | Propagation Delay CP to Q _n (PE HIGH or LOW) | 5.0 | 1.5 | 12.5 | ns | |
| t _{PHL} | Propagation Delay CP to Q _n (PE HIGH or LOW) | 5.0 | 1.5 | 12.5 | ns | |
| t _{PLH} | Propagation Delay CP to TC | 5.0 | 1.5 | 16.5 | ns | |
| t _{PHL} | Propagation Delay CP to TC | 5.0 | 1.5 | 16.5 | ns | |
| t _{PLH} | Propagation Delay CET to TC | 5.0 | 1.5 | 13.5 | ns | |
| t _{PHL} | Propagation Delay CET to TC | 5.0 | 1.5 | 13.5 | ns | |
| t _{PLH} | Propagation Delay U/D to TC | 5.0 | 1.5 | 14.5 | ns | |
| t _{PHL} | Propagation Delay U/D to TC | 5.0 | 1.5 | 14.5 | ns | |

AC Electrical Characteristics (Continued)

Note 10: Voltage Range 5.0 is 5.0V \pm 0.5V

AC Operating Requirements

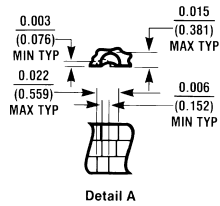
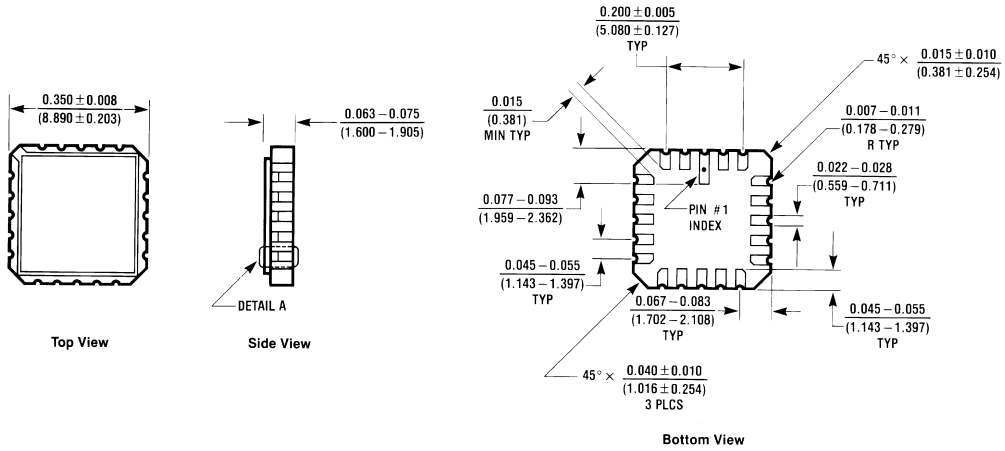
| Symbol | Parameter | V _{CC} (V) (Note 11) | 54ACT | Units | Fig. No. |
|----------------|--|-------------------------------------|--|-------|-------------|
| | | | T _A = -55°C to +125°C C _L = 50 pF Guaranteed Minimum | | |
| t _s | Setup Time, HIGH or LOW P _n to CP | 5.0 | 4.5 | ns | |
| t _h | Hold Time, HIGH or LOW P _n to CP | 5.0 | 2.5 | ns | |
| t _s | Setup Time, HIGH or LOW \overline{CEP} to CP | 5.0 | 9.0 | ns | |
| t _h | Hold Time, HIGH or LOW \overline{CEP} to CP | 5.0 | 2.5 | ns | |
| t _s | Setup Time, HIGH or LOW \overline{CET} to CP | 5.0 | 9.0 | ns | |
| t _h | Hold Time, HIGH or LOW \overline{CET} to CP | 5.0 | 2.5 | ns | |
| t _s | Setup Time, HIGH or LOW \overline{PE} to CP | 5.0 | 6.5 | ns | |
| t _h | Hold Time, HIGH or LOW \overline{PE} to CP | 5.0 | 2.0 | ns | |
| t _s | Setup Time, HIGH or LOW U/ \overline{D} to CP | 5.0 | 9.0 | ns | |
| t _h | Hold Time, HIGH or LOW U/ \overline{D} to \overline{CP} | 5.0 | 2.0 | ns | |
| t _w | CP Pulse Width, HIGH or LOW | 5.0 | 5.0 | ns | |

Note 11: Voltage Range 5.0 is 5.0V \pm 0.5V

Capacitance

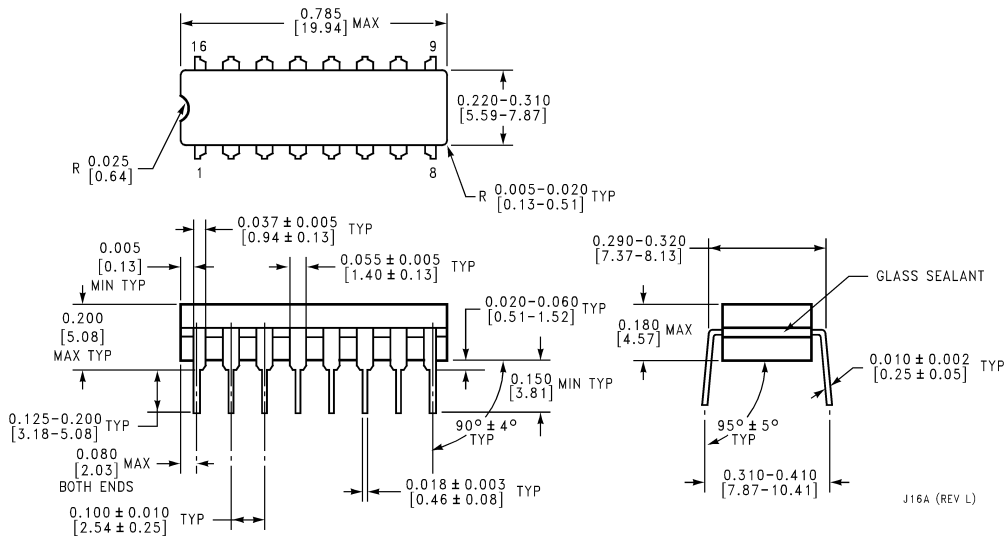
| Symbol | Parameter | Typ | Units | Conditions |
|-----------------|----------------------------------|------|-------|------------------------|
| C _{IN} | Input Capacitance | 4.5 | pF | V _{CC} = Open |
| C _{PD} | Power Dissipation Capacitance | 60.0 | pF | V _{CC} = 5.0V |

Physical Dimensions inches (millimeters) unless otherwise noted



20-Terminal Ceramic Leadless Chip Carrier (L)
 NS Package Number E20A

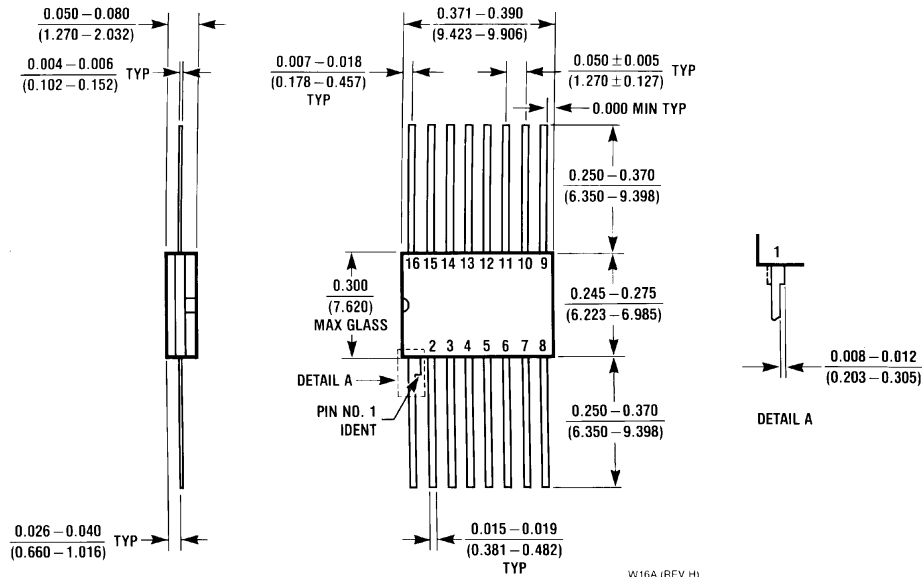
E20A (REV D)



16-Lead Ceramic Dual-In-Line Package (D)
 NS Package Number J16A

J16A (REV L)

Physical Dimensions inches (millimeters) unless otherwise noted (Continued)



**16-Lead Ceramic Flatpak (F)
NS Package Number W16A**

LIFE SUPPORT POLICY

NATIONAL'S PRODUCTS ARE NOT AUTHORIZED FOR USE AS CRITICAL COMPONENTS IN LIFE SUPPORT DEVICES OR SYSTEMS WITHOUT THE EXPRESS WRITTEN APPROVAL OF THE PRESIDENT OF NATIONAL SEMICONDUCTOR CORPORATION. As used herein:

1. Life support devices or systems are devices or systems which, (a) are intended for surgical implant into the body, or (b) support or sustain life, and whose failure to perform when properly used in accordance with instructions for use provided in the labeling, can be reasonably expected to result in a significant injury to the user.
2. A critical component in any component of a life support device or system whose failure to perform can be reasonably expected to cause the failure of the life support device or system, or to affect its safety or effectiveness.



National Semiconductor Corporation
Americas
Tel: 1-800-272-9959
Fax: 1-800-737-7018
Email: support@nsc.com

www.national.com

National Semiconductor Europe
Fax: +49 (0) 1 80-530 85 86
Email: europe.support@nsc.com
Deutsch Tel: +49 (0) 1 80-530 85 85
English Tel: +49 (0) 1 80-532 78 32
Français Tel: +49 (0) 1 80-532 93 58
Italiano Tel: +49 (0) 1 80-534 16 80

National Semiconductor Asia Pacific Customer Response Group
Tel: 65-2544466
Fax: 65-2504466
Email: sea.support@nsc.com

National Semiconductor Japan Ltd.
Tel: 81-3-5620-6175
Fax: 81-3-5620-6179