



MCR4 Series Reed Relays:

The MCR4 Series Reed Relays can switch up to 100W, 5A or 250Vdc. These Reed Switch Relays provide both the consistency and reliability of a sealed reed switch with the convenience of an integrated coil inside a metal cover package. Rhodium switch contacts are hermetically sealed in glass, mounted on an integral lead frame, then sealed in metal cover with magnetic shield to minimize magnetic interference with other relays or other components on PCB. The metal package with terminal pins allows these relays to be soldered directly into a PCB or inserted into sockets for convenient replacement.

Features:

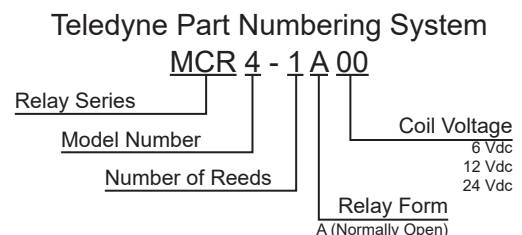
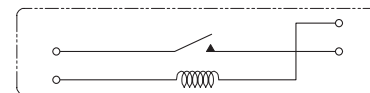
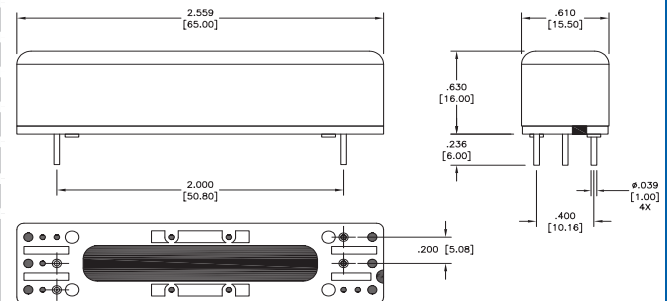
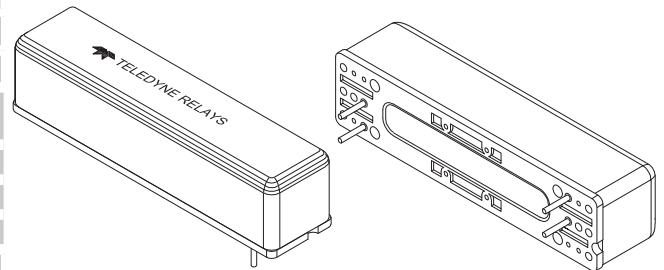
- Hermetically Sealed Rhodium Contacts
- Magnet Shield
- Metal cover with terminal pins
- 1 Form A contacts
- Long Life: > 1,000,000,000 actuations



Applications:

- Automated Test Equipment
- Remote Sensing/Measurement
- Telecommunications
- Security/Access Control
- Industrial Control Systems

Specifications			MCR4-1A		
Parameters	Test Conditions	Units	1 Form A		
Coil Characteristics					
Coil Voltage	Nominal	Vdc	6	12	24
	Maximum		9	18	36
Coil Resistance	+/- 10%, 20°C	Ω	250	1k	4k
Operate Voltage	Must Operate by	Vdc Max	4.4	8.8	17.6
Release Voltage	Must Release by	Vdc Min	1.2	2.4	4.8
Contact Characteristics					
Contact Material			Rhodium		
Switching Voltage	Max DC/Peak AC	Volts	250		
Switching Current	Max DC/Peak AC	Amps	3		
Carry Current	Max DC/Peak AC	Amps	5		
Contact Rating	Max DC/Peak AC	Watts	100		
Contact Resistance	Maximum	Ω	0.05		
Relay Characteristics					
Insulation Resistance	Minimum	Ω	10 ⁹		
Dielectric Strengths	Between Contacts	Volts	500		
	Coil to Contact		500		
	Case to Contact		500		
	Case to Coil		500		
Operate Time, Typical (bounces included)	At Nominal Coil Voltage	mSec	2.5		
Release Time, Typical		mSec	0.1		
Life Expectancy					
Low Load	Minimum	Ops	3.3×10 ⁶		
Mechanical Life	Minimum	Ops	10 ⁹		
Environmental Characteristics					
Storage Temperature		°C	-40 ~ +100		
Operating Temperature		°C	-40 ~ +85		
Vibration	10 - 500 Hz	G	20		
Shock	11 mSec	G	100		
Resonance Frequency		Hz	800		
Weight	Maximum	Oz	1.06		



Please feel free to contact us for more information regarding additional options and custom configurations.